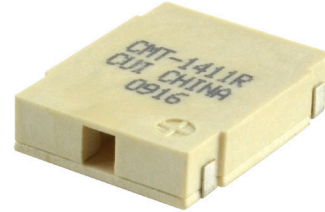




**MODEL:** CMT-1411R-SMT | **DESCRIPTION:** MAGNETIC BUZZER TRANSDUCER

**FEATURES**

- externally driven
- SMT
- 93 dB SPL



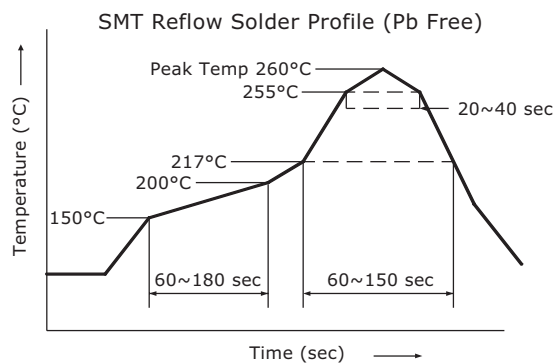
**SPECIFICATIONS**

parameter	conditions/description	min	typ	max	units
rated voltage			5.0		Vo-p
operating voltage		4.0		7.0	Vo-p
current consumption	at rated voltage, 3,200 Hz square wave, 1/2 duty			90	mA
rated frequency			3,200		Hz
sound pressure level	at 10 cm (A-weight), rated voltage, 3,200 Hz square wave, 1/2 duty	87	93		dB(A)
coil resistance		36.5	43.0	49.5	Ω
dimensions	14.0 x 11.0 x 3.0				mm
weight			0.9		g
material	LCP				
terminal	SMT type (Sn plating)				
operating temperature		-40		85	°C
storage temperature		-50		85	°C
RoHS	2011/65/EU				

Notes: 1. Add suffix "-TR" to the model for tape & reel packaging  
 2. All specifications measured at 5~35°C, humidity at 45~85%, under 86~106 kPa pressure, unless otherwise noted.

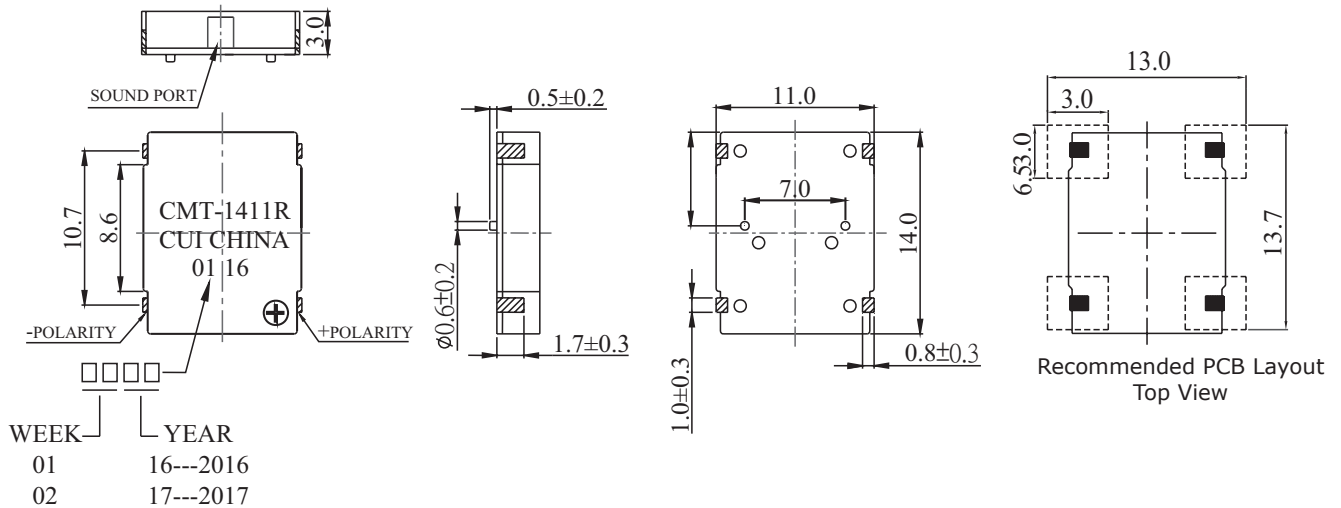
**SOLDERABILITY**

parameter	conditions/description	min	typ	max	units
reflow soldering	see recommended reflow soldering profile			260	°C

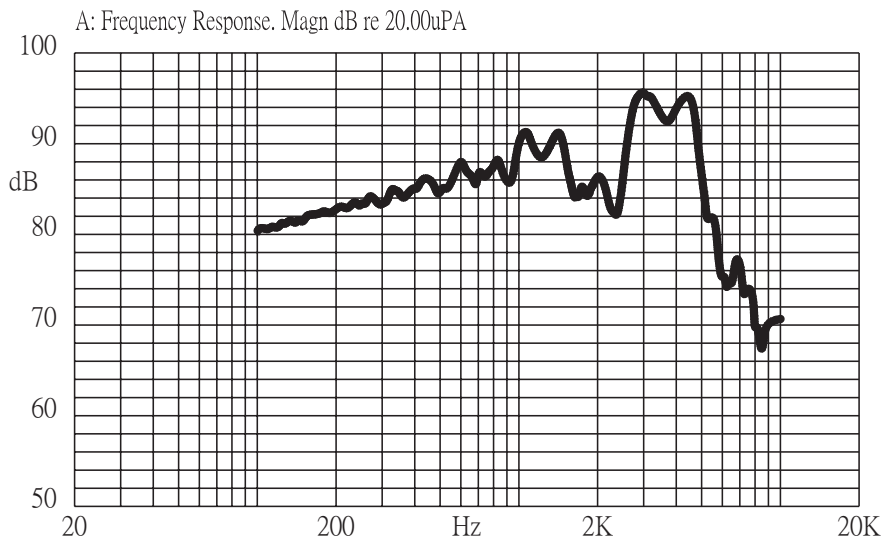


## MECHANICAL DRAWING

units: mm  
tolerance:  $\pm 0.5$  mm



## FREQUENCY RESPONSE CURVE



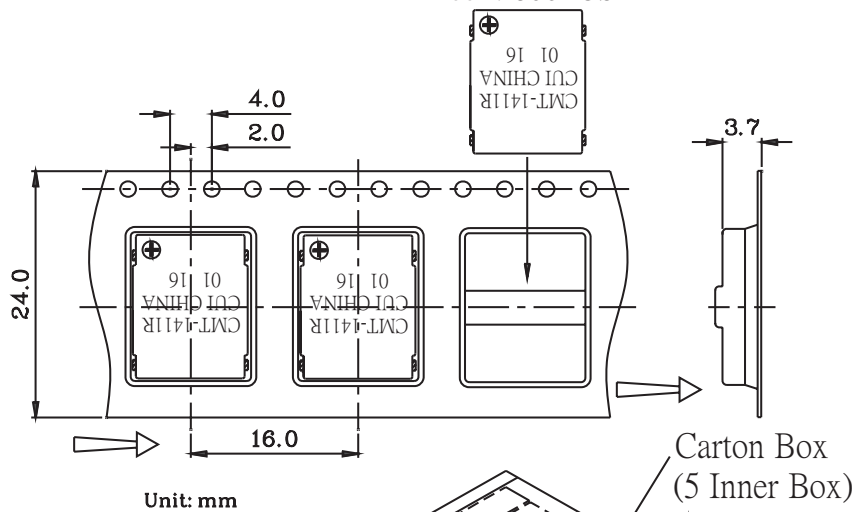
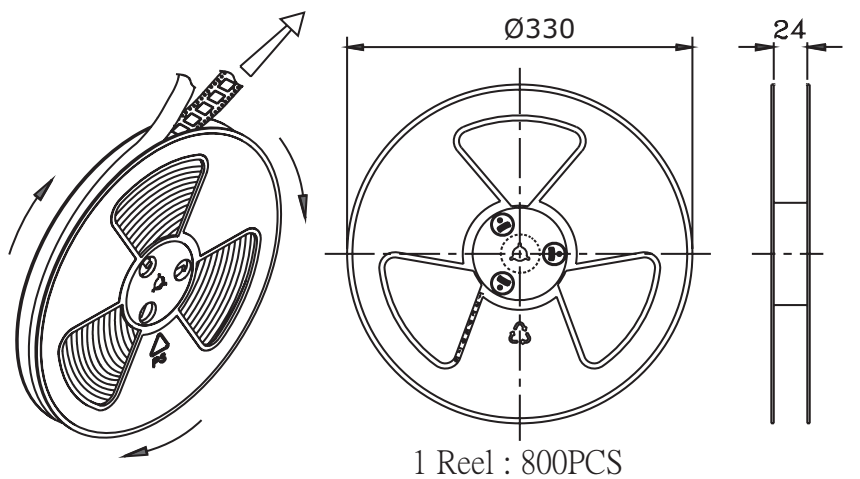
## MEASUREMENT METHOD




## PACKAGING

units: mm

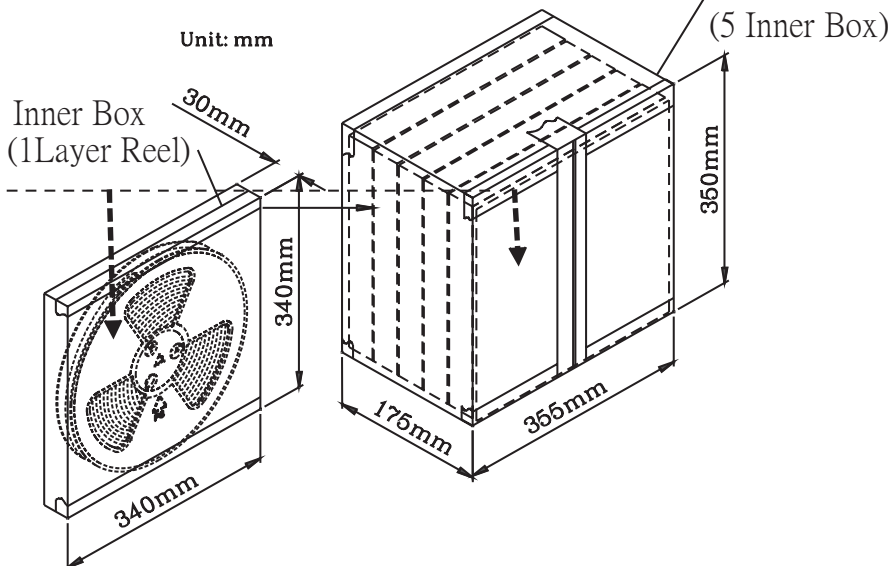
Reel Size: Ø330 mm  
 Carton Size: 175 x 355 x 350 mm  
 Reel QTY: 800 pcs per reel  
 Carton QTY: 4,000 pcs per carton



Unit: mm

Lot No.	XXXXXXXXXX
Model No.	XXXXXXXXXX
Quantity.	XXXX Pcs
Date:	DD MM YY
MADE IN CHINA 	
CUI Inc	

The label is placed on the inner boxes and outer carton.



## REVISION HISTORY

---

rev.	description	date
1.0	initial release	03/31/2016

The revision history provided is for informational purposes only and is believed to be accurate.



**CUI INC**<sup>®</sup>

**Headquarters**  
20050 SW 112th Ave.  
Tualatin, OR 97062  
**800.275.4899**

Fax 503.612.2383  
**cui.com**  
techsupport@cui.com

CUI offers a one (1) year limited warranty. Complete warranty information is listed on our website.

CUI reserves the right to make changes to the product at any time without notice. Information provided by CUI is believed to be accurate and reliable. However, no responsibility is assumed by CUI for its use, nor for any infringements of patents or other rights of third parties which may result from its use.

CUI products are not authorized or warranted for use as critical components in equipment that requires an extremely high level of reliability. A critical component is any component of a life support device or system whose failure to perform can be reasonably expected to cause the failure of the life support device or system, or to affect its safety or effectiveness.