

# GOA9xx06

## THREE PHASE AC-SWITCH

Fuse protection  
Temperature sensors  
Snubber for SCR's protections

**LINE VOLTAGE UP TO**                      **500 V**  
**RMS OUTPUT CURRENT**              **630 A**

	<b>GOA95006</b>	<b>GOA94006</b>
Line to line voltage	<b>500 V</b>	<b>400 V</b>

Characteristic		Conditions	Value
I <sub>RMS</sub>	R.M.S. output current	Cooling fans: 3 x W2S130-AA03 01 (EBM) @ Ta=40°C	630 A
V <sub>INS (rms)</sub>	Insulation voltage		3000 V

### THYRISTOR TRIGGERING CHARACTERISTICS

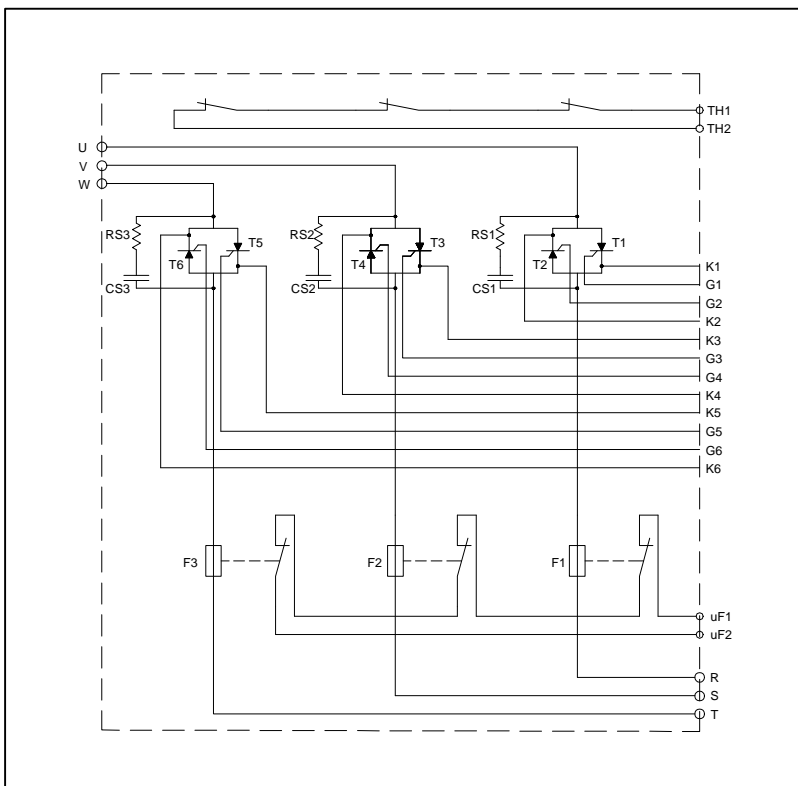
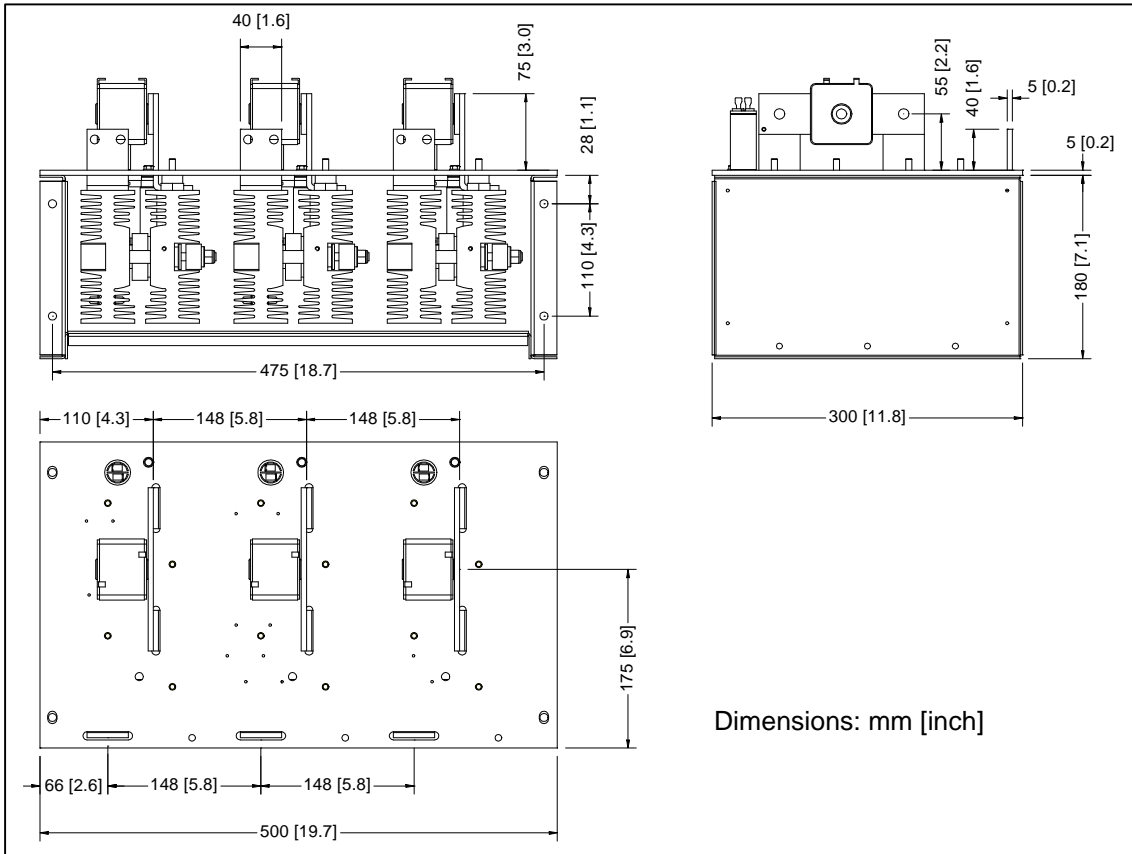
V <sub>GT</sub>	Gate trigger voltage	T <sub>j</sub> = 25 °C, V <sub>D</sub> = 5 V	3 V
I <sub>GT</sub>	Gate trigger current	T <sub>j</sub> = 25 °C, V <sub>D</sub> = 5 V	300 mA

### FUSE TYPE SIBA 2067132.630

V <sub>NF</sub>	Rated voltage		690 V
I <sub>NF</sub>	Rated current		630 A
P <sub>VF</sub>	Power loss	At rated current	94 W
I <sup>2</sup> t		At 660V	300 kA <sup>2</sup> s

### MECHANICAL AND THERMAL CHARACTERISTICS

	Width		500 mm
	Depth		300 mm
	Height		250 mm
	Mass		30 kg
T <sub>a max</sub>	Max ambient operating temperature		40 °C
T <sub>stg</sub>	Storage temperature		-40 / 60 °C



In the interest of product improvement Green Power Semiconductors reserves the right to change any specification given in this data sheet without notice.