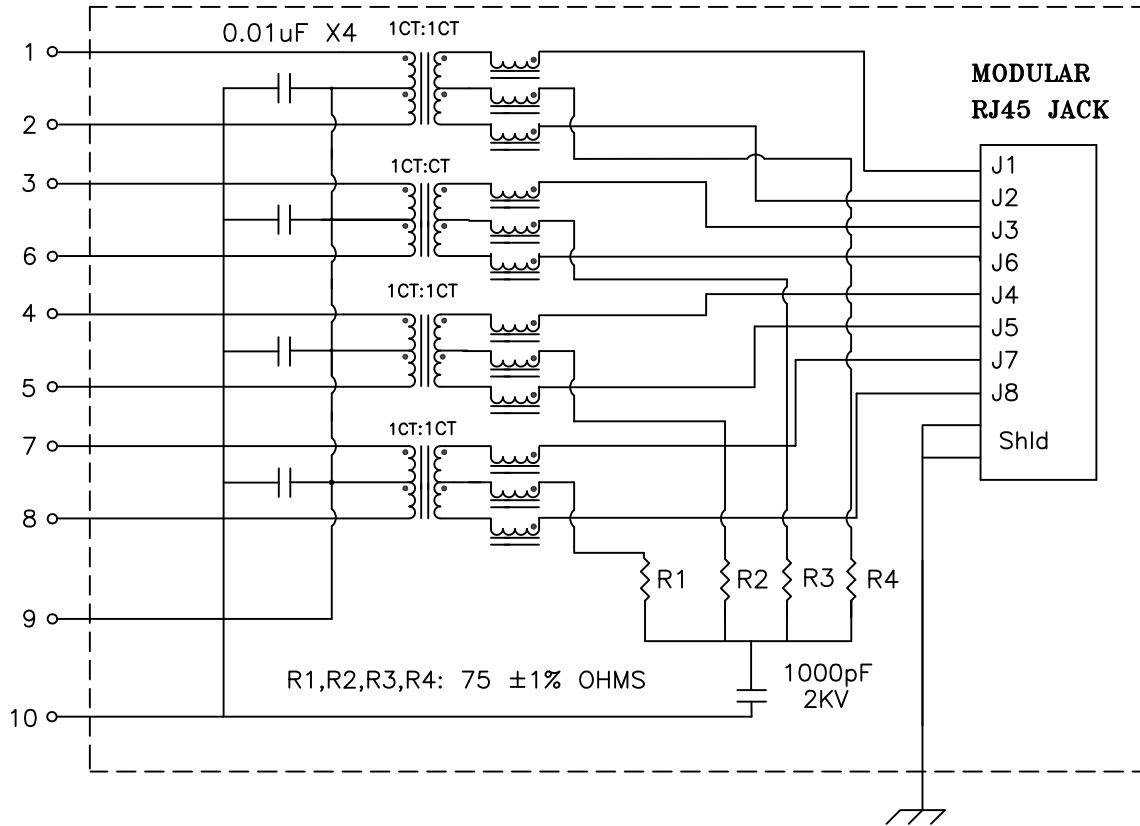
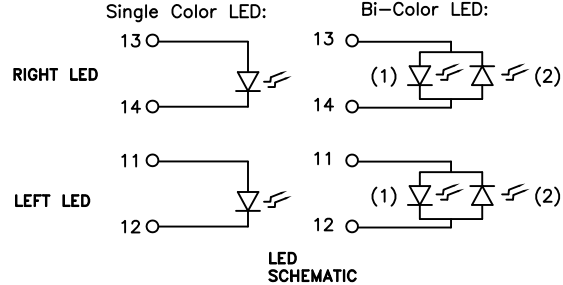


# 1. Schematic:



# 2. Electrical Specifications: @25°C

ISOLATION: 1500Vac (Input-Output)  
 TURNS RATIO: (PRI/SEC) 1CT:1CT ±2%  
 OCL: 350uH MIN @100KHz 100mV 8mADC  
 Q: 5 MIN @100KHz 100mV  
 INSERTION LOSS: -1.1dB MAX @0.1-100MHz  
 RETURN LOSS: -15dB Min @1-40MHz  
                   -14.5dB Min @60MHz  
                   -12dB Min @80MHz  
                   -10dB Min @100MHz  
 Crosstalk: -[33-20LOG(F/100MHz)]dB Typ @0.1-100MHz  
 CMRR: -40dB Typ @0.1-100MHz



Complete the Combo P/N as follows:

Replace 'x' & 'u' in the part number with one of the LED color letters:  
 Y=Yellow                    'x' = Left LED Color  
 G=Green                    'u' = Right LED Color  
 A=Amber  
 R=Red  
 N=Yellow(1)/Green(2) Bicolor  
 M=Green(1)/Yellow(2) Bicolor

- Notes:
- Solderability: Leads shall meet MIL-STD-202G, Method 208H for solderability.
  - Flammability: UL94V-0
  - ASTM oxygen index: > 28%
  - UL Recognized Component: File Number E165866
  - Operating Temperature Range: All listed parameters are to be within tolerance from -40°C to +85°C
  - Storage Temperature Range: -55°C to +125°C
  - Aqueous wash compatible
  - Electrical and mechanical specifications 100% tested
  - RoHS Compliant Component
  - Hipot spec refers to application to wound toroids only

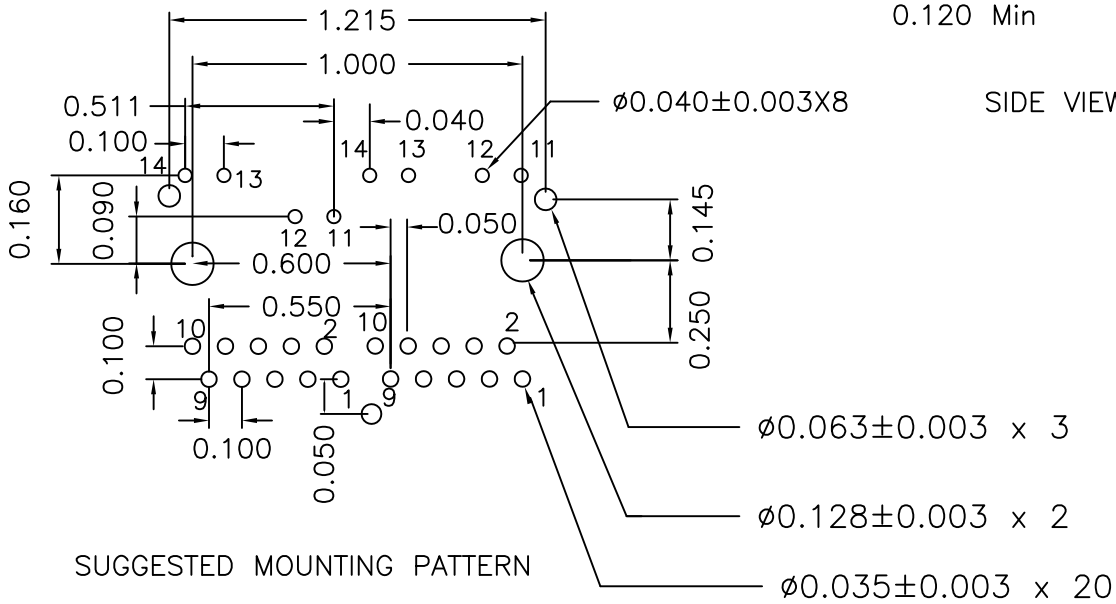
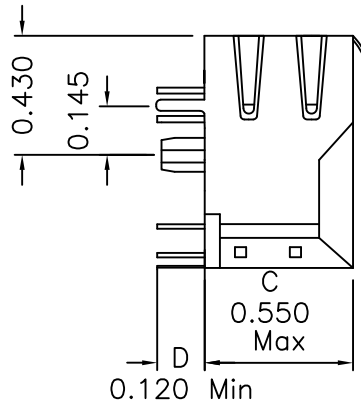
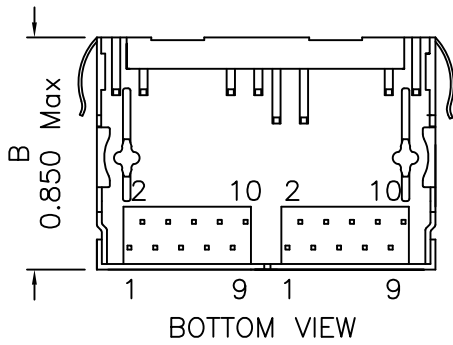
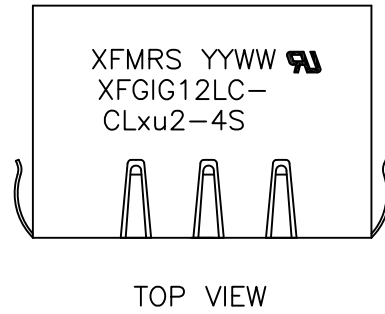
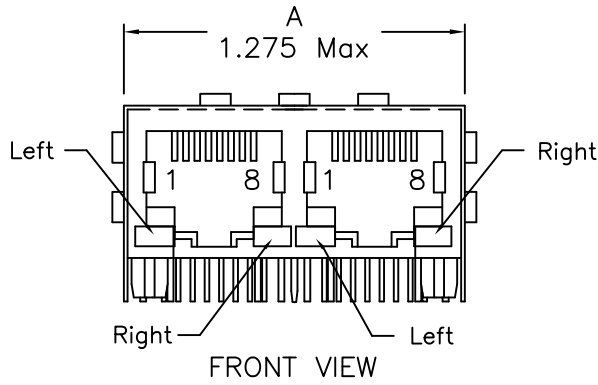
DOC REV.: A/2

**PROPRIETARY:**

Document is the property of XFMRs Group & is not allowed to be duplicated without authorization.

<b>XFMRs Inc.</b> www.XFMRs.com		Title: GIGABITE DUAL PORT COMBO	
UNLESS OTHERWISE SPECIFIED TOLERANCES: .xxx ±0.010 Dimensions in Inch		P/N: XFGIG12LC-CLxu2-4S	REV. A
DWN.	Yuan	May-27-13	
CHK.	YK Liao	May-27-13	
SHEET 1 OF 2	APP.	BW	May-27-13

# Mechanical Dimensions: (FOR CLxu2-4S)



<b>XFMRS Inc.</b> UNLESS OTHERWISE SPECIFIED TOLERANCES: .xxx $\pm 0.010$ Dimensions in Inch DOC REV: A/2	Title: Mechanical Dimensions For CLxu2-4S Series	
	P/N: XFGIG12LC-CLxu2-4S	REV. A
	DWN. Yuan	May-27-13
	CHK. YK Liao	May-27-13
SHEET 2 OF 2	APP. BW	May-27-13