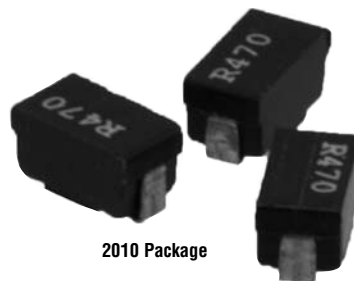


2010 SMD

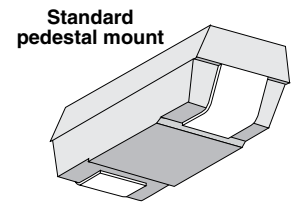
0.6 Watt Wirewound Surface Mount Power

FEATURES

- 1% Tolerance standard
- Smallest wirewound on the market
- Available in low ohmic values



2010 Package



Standard pedestal mount

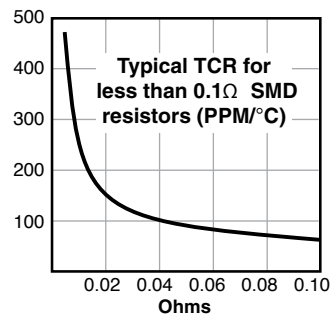
SERIES SPECIFICATIONS

Series	Wattage	Ohms	Voltage
RW0S6BB	0.6	0.01-1K	50

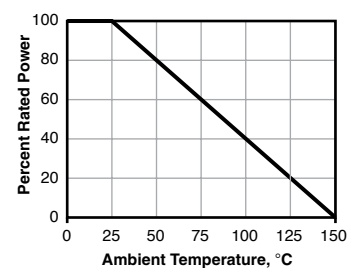
CHARACTERISTICS

Power	0.6 watts at 25°C ambient
Voltage	50V max.
Tolerance	1%
Resistance range	0.010Ω–1KΩ
Temperature Coefficient	0.1Ω–1Ω: ±90ppm 1Ω–10Ω: ±50ppm 10Ω+: ±20ppm
Dielectric Withstanding Voltage	1000V
Tape Size	12mm, 13" reel, 2500 pcs. per reel

TCR

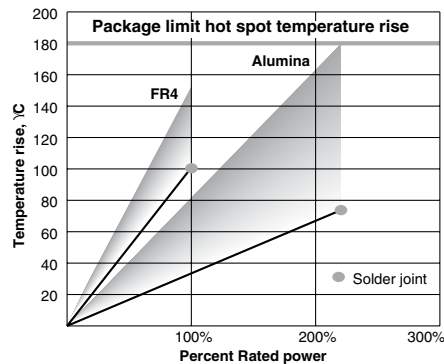


Derating



PERFORMANCE DATA

Temp. cycle	(-55°C to 125°C, 1000 cycles)	±0.5%+.05Ω
Load Life	(1000 hours at 25°C)	±3.0%+.05Ω
Immersion	(260°C for 10 sec.)	±0.1%+.05Ω
Leaching	(260°C Solder immersion, 60 sec.)	No visible leaching
Thermal Shock	(Units at -55°C, then rated power applied)	No mechanical damage
Flammability	UL Material rating	UL94V0



The temperature rise graph data was obtained by a selection of test substrate size and trace width for each resistor size to limit operating temperatures to safe values.

The operating temperature safe rises are either 100°C substrate temperature rise or 180°C package hot spot temperature rise at 25°C ambient.

FR4: 0.062 in. thick; 0.062 in. traces

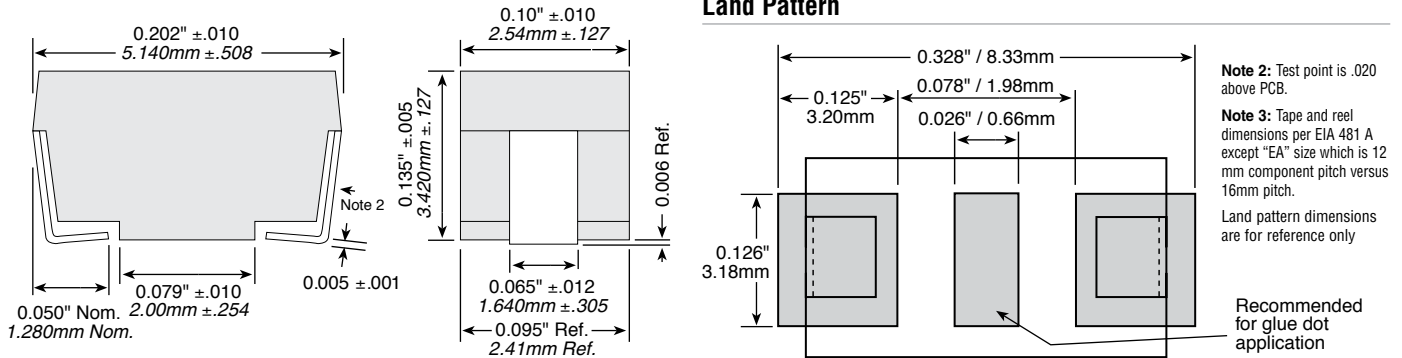
Alumina: 0.040 in. thick; 0.010 in. traces

(continued)

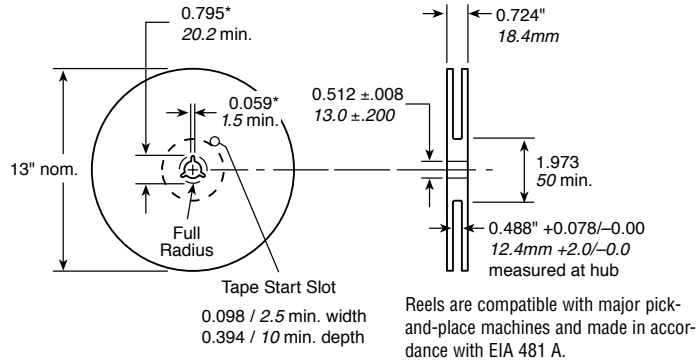
2010 SMD

0.6 Watt Wirewound Surface Mount Power

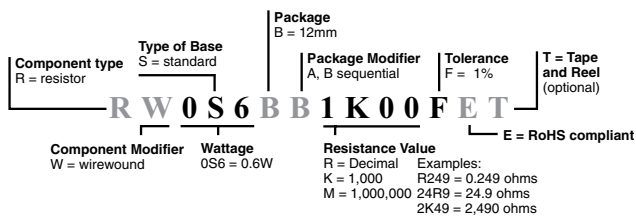
DIMENSIONS



TAPE AND REEL



ORDERING INFORMATION



Standard Part Numbers for 2010 SMD

Ohms	Part Number	Ohms	Part Number
0.010	RW0S6BBR010FE	1.00	RW0S6BB1R00FE
0.015	RW0S6BBR015FE	2.00	RW0S6BB2R00FE
0.020	RW0S6BBR020FE	5.00	RW0S6BB5R00FE
0.030	RW0S6BBR030FE	7.50	RW0S6BB7R50FE
0.050	RW0S6BBR050FE	10.00	RW0S6BB10R0FE
0.075	RW0S6BBR075FE	15.00	RW0S6BB15R0FE
0.100	RW0S6BBR100FE	24.00	RW0S6BB24R0FE
0.240	RW0S6BBR240FE	36.00	RW0S6BB36R0FE
0.470	RW0S6BBR470FE	47.00	RW0S6BB47R0FE
0.750	RW0S6BBR750FE	100.00	RW0S6BB100RFE