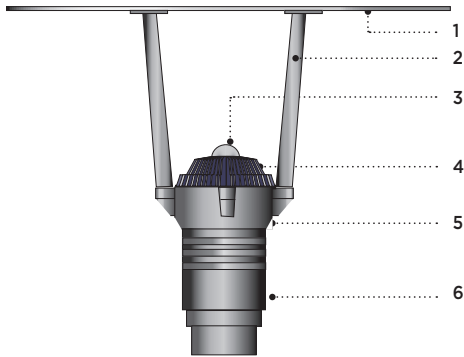


TYPE: \_\_\_\_\_ QUANTITY: \_\_\_\_\_ PROJECT: \_\_\_\_\_

CATALOG NUMBER:

FIXTURE    WATTAGE    VOLTAGE    FINISH    OPTION    OPTION    OPTION    OPTION



- 1- 30" dia. (762) X 3/16" (5) thick aluminum reflector disc with two sides painted white enamel.
- 2- Set of two cast aluminum supporting arms.
- 3- LED sealed optical beam control lens.
- 4- Cast aluminum LED heat sink.
- 5- Cast aluminum upper electrical housing.
- 6- Cast aluminum lower electrical housing.

EC870



EC871



### MATERIALS

Eclipse is made of corrosion resistant 356 aluminum alloy with a copper (CU) content of less than 0.1%.  
LED printed circuit board is assembled with a cast aluminum heat sink designed with fins pattern to optimize heat dissipation and luminaire efficacy. The structural support arms are made with a built-in wire way. The driver is enclosed in a separate cast aluminum chamber allowing a quick access for electrical maintenance without disturbing the optical light chamber. The lower cast aluminum housing fits on a 4" (102) or 5" (127) pole and contains all electrical controls on a removable tray.

### ELECTRICAL

#### LED

**DRIVER** Standard driver is 0-10V dimming-ready (dims to 10%) with: 120-277 multi-volt compatibility (50-60Hz), optional 347V on request, minimum operating temperature of -30°C/-22°F, output over voltage protection, output over current protection, output short circuit protection with auto-recovery, and over temperature protection (110°C).

**LED** Standard 4000K/80CRI. Optional 2700K, 3000K and 3500K. Removable modular LED platform.

#### LIFE

75,000hrs  $L_{80}B_{50}$  (based on IESNA TM-21 Test Method and LM-80 data).  
145,000hrs  $L_{70}B_{50}$  (calculated projection from LM-80 data).

#### FINISH

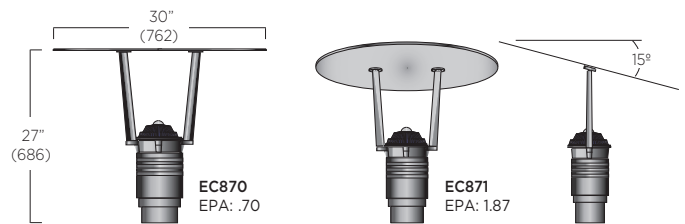
Five-stage preparation process including preheating of cast parts for air extraction, and an environmentally friendly alloy sealant. Polyester powder coating is applied through an electrostatic process and oven cured for long term finish.

#### MOUNTING

Maximum weight: 44lbs (20kg)  
Eclipse is designed for ease of access and installation.  
Standard luminaire fits on a 4" (102) or 5" (127) pole.  
Alternate poles or wall attachments are proposed with high quality components to meet multiple installation conditions.

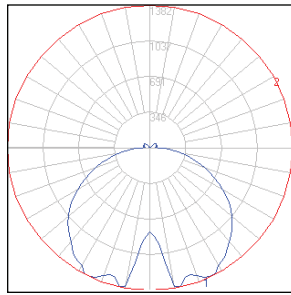
### CERTIFICATION

Tested to UL1598 and CSA 22.2 #250. ETL listed wet location.  
Photometric testing performed by an independent laboratory in accordance with IES LM-79-08 standards at 25°C. Lumen depreciation in accordance with IESNA LM80 standards. CE certification on request.  
Rated IP65.



# EC870/EC871 SERIES ECLIPSE MAXI - LED

## TYPICAL PHOTOMETRY SUMMARY

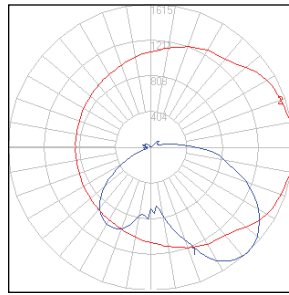


Outdoor report Polar graph

### Descriptive Information

EC870-L1W65r1

Total Lms: 5234 Lumens  
Total Input Watts: 60.5 W  
Source: LED  
Efficacy: 86.6 Lumens/Watt  
BUG: B2-U3-G2  
CCT/CRI: 4000K/80  
Maximum Candela: 1382 @ 25°V



Outdoor report Polar graph

### Descriptive Information

EC871-L1W65r1

Total Lms: 5158 Lumens  
Total Input Watts: 60.0 W  
Source: LED  
Efficacy: 85.9 Lumens/Watt  
BUG: B1-U3-G3  
CCT/CRI: 4000K/80  
Maximum Candela: 1615 @ 2.5°H/42.5°V

Please visit our web site [www.luminis.com](http://www.luminis.com) for complete I.E.S. formatted download data.

## LUMINAIRE SELECTION

MODEL#	LED LIGHT SELECTION	VOLTAGE <sup>1</sup>	FINISH																
 <input type="checkbox"/> EC870	<table border="1"> <thead> <tr> <th>SUFFIX</th> <th>INPUT WATTS</th> <th>DELIVERED LUMENS</th> <th>CRI</th> <th>CCT °K</th> </tr> </thead> <tbody> <tr> <td><input type="checkbox"/> L1W30R1</td> <td>38W</td> <td>3378</td> <td rowspan="3">80</td> <td rowspan="3">4000K</td> </tr> <tr> <td><input type="checkbox"/> L1W48R1</td> <td>51W</td> <td>4412</td> </tr> <tr> <td><input type="checkbox"/> L1W65R1</td> <td>60W</td> <td>5234</td> </tr> </tbody> </table>	SUFFIX	INPUT WATTS	DELIVERED LUMENS	CRI	CCT °K	<input type="checkbox"/> L1W30R1	38W	3378	80	4000K	<input type="checkbox"/> L1W48R1	51W	4412	<input type="checkbox"/> L1W65R1	60W	5234	<input type="checkbox"/> 120V <input type="checkbox"/> 277V  Optional <input type="checkbox"/> 347V	<b>STANDARD COLORS</b> <input type="checkbox"/> WHT Snow white <input type="checkbox"/> BKT Jet black <input type="checkbox"/> BZT Bronze <input type="checkbox"/> MST Matte silver <input type="checkbox"/> GRT Titanium gray <input type="checkbox"/> DGT Gun metal <input type="checkbox"/> CHT Champagne  <b>OPTIONAL COLORS</b> <input type="checkbox"/> CS Custom color <input type="checkbox"/> RAL RAL# color  (Refer to color chart)
	SUFFIX	INPUT WATTS	DELIVERED LUMENS	CRI	CCT °K														
<input type="checkbox"/> L1W30R1	38W	3378	80	4000K															
<input type="checkbox"/> L1W48R1	51W	4412																	
<input type="checkbox"/> L1W65R1	60W	5234																	
<table border="1"> <tbody> <tr> <td><input type="checkbox"/> L1W30R1</td> <td>38W</td> <td>3340</td> <td rowspan="3">80</td> <td rowspan="3">4000K</td> </tr> <tr> <td><input type="checkbox"/> L1W48R1</td> <td>51W</td> <td>4362</td> </tr> <tr> <td><input type="checkbox"/> L1W65R1</td> <td>60W</td> <td>5158</td> </tr> </tbody> </table>	<input type="checkbox"/> L1W30R1	38W	3340	80	4000K	<input type="checkbox"/> L1W48R1	51W	4362	<input type="checkbox"/> L1W65R1	60W	5158								
<input type="checkbox"/> L1W30R1	38W	3340	80			4000K													
<input type="checkbox"/> L1W48R1	51W	4362																	
<input type="checkbox"/> L1W65R1	60W	5158																	
 <input type="checkbox"/> EC871	<table border="1"> <tbody> <tr> <td><input type="checkbox"/> L1W30R1</td> <td>38W</td> <td>3340</td> <td rowspan="3">80</td> <td rowspan="3">4000K</td> </tr> <tr> <td><input type="checkbox"/> L1W48R1</td> <td>51W</td> <td>4362</td> </tr> <tr> <td><input type="checkbox"/> L1W65R1</td> <td>60W</td> <td>5158</td> </tr> </tbody> </table>	<input type="checkbox"/> L1W30R1	38W	3340	80	4000K	<input type="checkbox"/> L1W48R1	51W	4362	<input type="checkbox"/> L1W65R1	60W	5158							
<input type="checkbox"/> L1W30R1	38W	3340	80	4000K															
<input type="checkbox"/> L1W48R1	51W	4362																	
<input type="checkbox"/> L1W65R1	60W	5158																	

## OPTIONS

### ELECTRICAL

- FS** Fuse<sup>2</sup>
- PH** Photocell<sup>2</sup>
- 347L** 347V input power driver

### LIGHT

Alternate CCT °K LED (LCF: Lumen conversion factor)

- K27** 2700K CCT 80 CRI (LCF: 0.91)
- K3** 3000K CCT 80 CRI (LCF: 0.94)
- K35** 3500K CCT 80 CRI (LCF: 0.98)

NOTE: Other CCT & higher CRI available, please consult factory.

### MOUNTING

- AC8** Pole mount attachment with 45° support
- 2AC8** Double pole mount attachment with 45° support at 180°
- AW8** Wall mount attachment with 45° support
- EC8P** Pole mount attachment with stacked arms
- 2EC8P** Double pole mount attachment with stacked arms at 180°
- EC8W** Wall mount attachment with stacked arms
- TN3** 3" Tenon pole adaptor<sup>3</sup>
- PR8** Pedestal mount adaptor

### ACCESSORIES

- SQ** 30" Square aluminum white enamel reflector (EC870 only)
- SQ15** 30" Square aluminum white enamel reflector with 15° tilt (EC871 only)

### NOTES

- 1- Luminaires are factory prewired for 120V (if no voltage is specified) For other voltages, please specify with catalog number or consult factory.
- 2- Fuse and photocell options are normally installed with poles when specified with Luminis luminaires (except for other types of mounting).
- 3- 3" tenon pole adaptor only required for 3" O.D. poles by others.

**LUMINIS**®

LUMINIS | Toll free: 866.586.4647 Fax: 514.683.8872  
260 Labrosse, Pointe-Claire (QC) Canada H9R 5L5

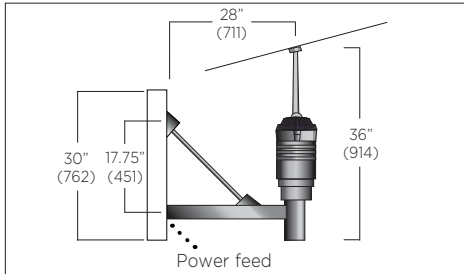
LUMINIS.COM

Luminaires may be altered for design improvement or discontinued without prior notice.

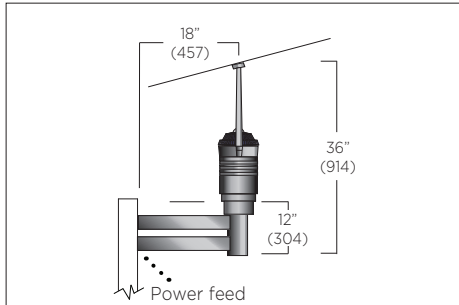
Nov 2017 Rev 0

# EC870/EC871 SERIES ECLIPSE MAXI - LED

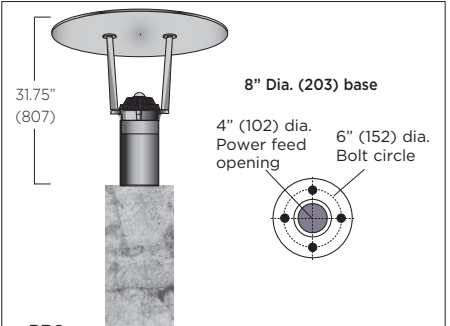
## POLE MOUNT



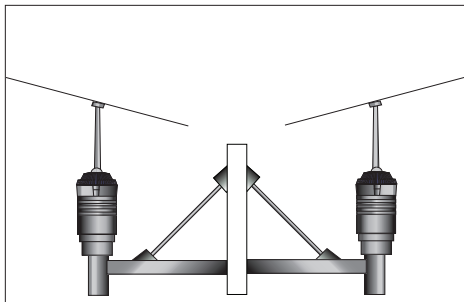
**AC8**  
1" X 3" (25x76) extruded aluminum extended arm pole mounting adaptor designed to fit with 4 or 5" dia. poles. 1/2" dia. X 45° standard natural stainless steel rod support. (EPA: 0.7)



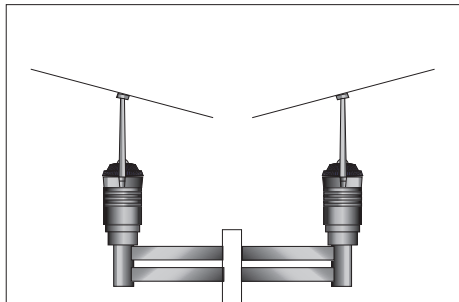
**EC8P**  
Set of (2) 1" X 3" (25x76) extruded aluminum side pole straight mounting. Pole mounting adaptor fits with 4 or 5" dia. poles. (EPA: 0.97)



**PR8**  
8" Dia.(203) X 8 3/4" (222)H. extruded aluminum stand designed for short walls or pier mount.



**2AC8**  
Double pole mount attachment with 45° support at 180°



**2EC8P**  
Double pole mount attachment with 2 stacked arms at 180°

**NOTE:** PST pole with AC8 or 2AC8 attachment requires a 30" (762) tenon extension over pole nominal height. EC8P and 2EC8P require an 18" tenon extension. Factory installed.



## MATCHING POLE SELECTION

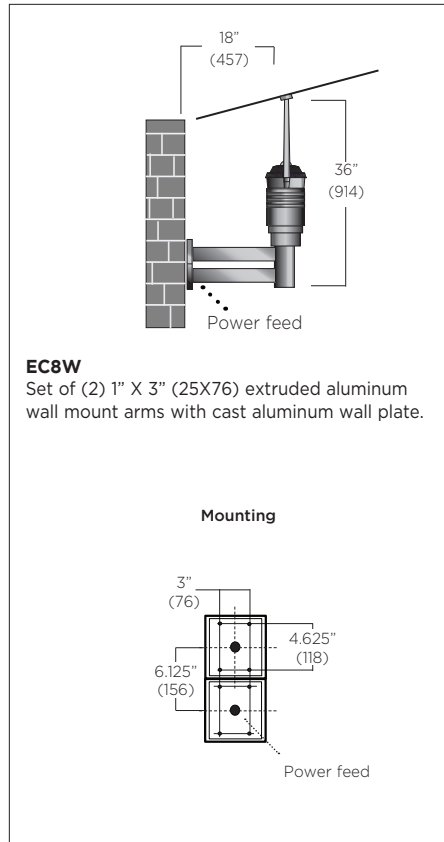
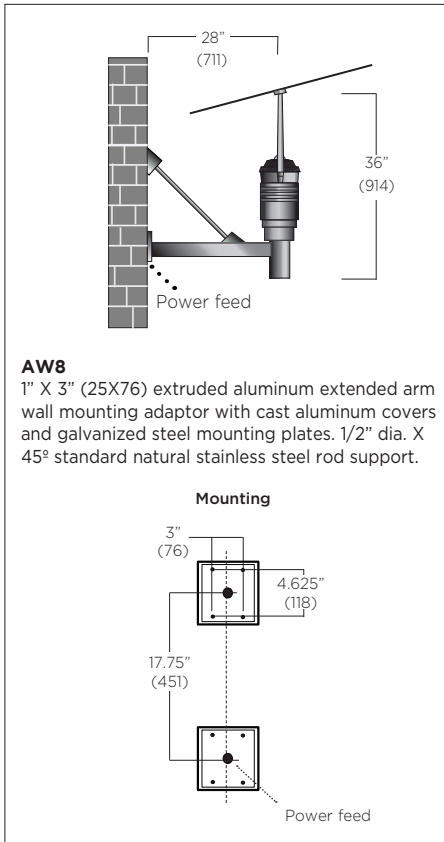
Ø 4"	Ø 5"	Ø 4"	Tapered Pole	Ø 4"	Height
PAA410	PAA510	PST10	-----	PSB10	10 Ft. (3 M)
PAA412	PAA512	PST12	-----	PSB12	12 Ft. (3,6 M)
PAA414	PAA514	PST14	-----	PSB14	14 Ft. (4,2 M)
PAA416	PAA516	PST16	PTA16	PSB16	16 Ft. (4,8 M)
PAA418	PAA518	-----	PTA18	PSB18	18 Ft. (5,5 M)
PAA420	PAA520	-----	PTA20	PSB20	20 Ft. (6,0 M)
-----	-----	-----	PTA25	-----	25 Ft. (7,6 M)

For additional pole details, please refer to separate pole specification sheet.  
Ø 4"= 100mm Ø5"= 127mm



# EC870/EC871 SERIES ECLIPSE MAXI - LED

## WALL MOUNT



## ACCESSORIES

