

08075062 & 08075200 BATTERY DISCONNECT SWITCHES

250A-500A • SPST • IP67-9K • M10 Studs • Bistable/Magnetic current isolating switches

Specifications

Max Operating Voltage:	12V/24V DC: 08075062-08075063-08075064-08175160-08175161-08175162-08075163 24V DC: 08075100-08075200
Max Continuous Current:	250A 08075062-08075063-08097860-08098100-0807506-08175161-08175162-08075163-08075100-08075200 500A 08075160
Intermittent Current:	2000A at 5 sec
Operating Temp:	-40 °C to +85 °C
Ingress Protection:	IP67-9K
Contacts:	Silver-plated Copper
Terminals:	M10 (Nickel-plated brass)

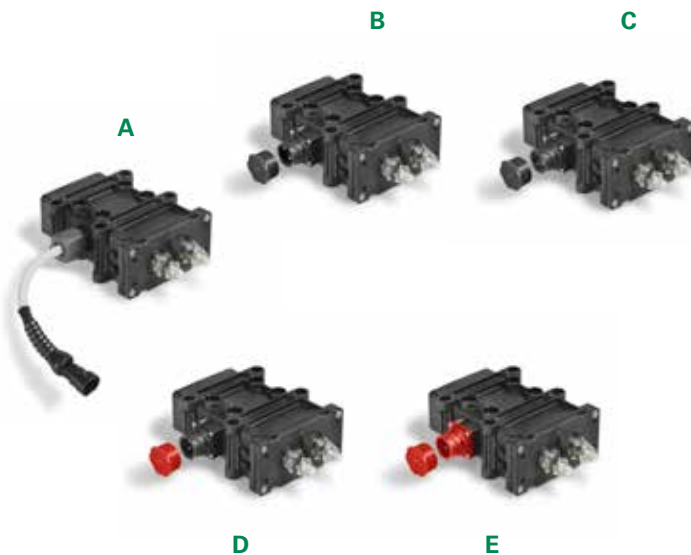
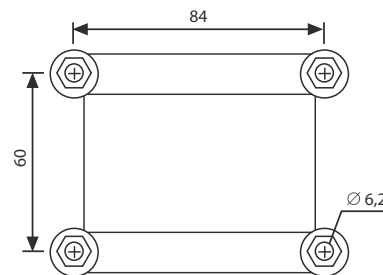
Applications

- Heavy trucks
- Buses
- Construction
- Commercial vehicles
- Agricultural
- Marine

Web Resources

Download 2D print and technical resources at:
littelfuse.com/ManualBatterySwitches

Mounting Diagram



Description

In shape and design the bistable/magnetic current isolating switches ON-OFF position is different to traditional current isolating switches. They use a minimum current when they are turned on, models with "magnetic ON-OFF position" absorb current only during the commuting phase or when switched from (OFF) to (ON) and vice versa. Generally referred to as "bistable with zero consumption," their switches turn to closed or open state of the electric circuit.

In this range we have the version with positive and negative disconnection, positive or negative disconnection (watchdog), ADR (Dangerous road materials) version and only positive version.

Features/Benefits

- 250A-500A continuous current rating
- Waterproof IP67/9K

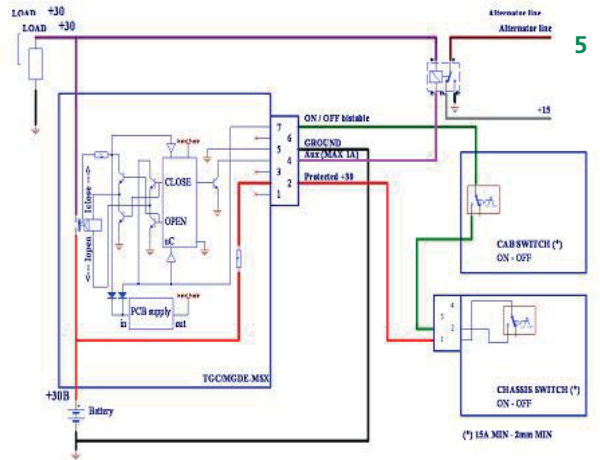
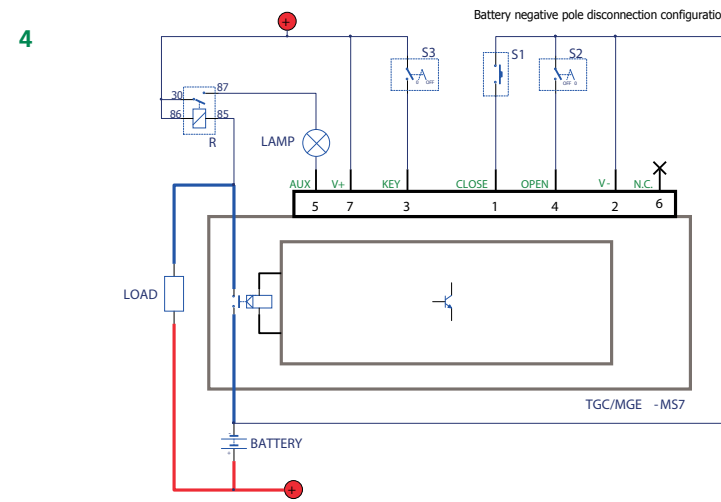
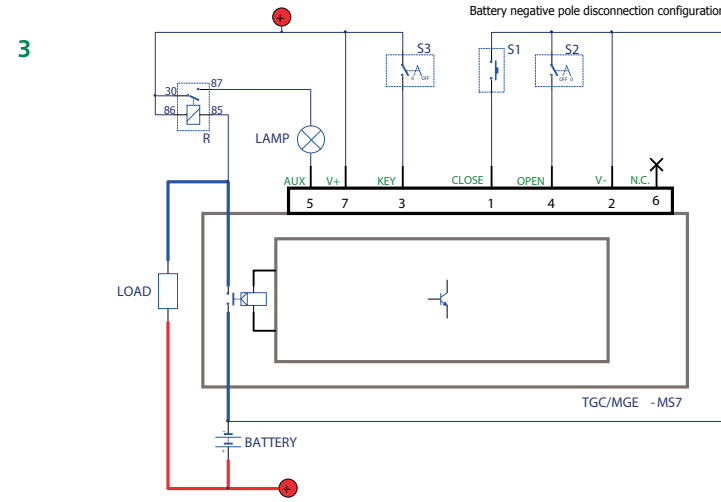
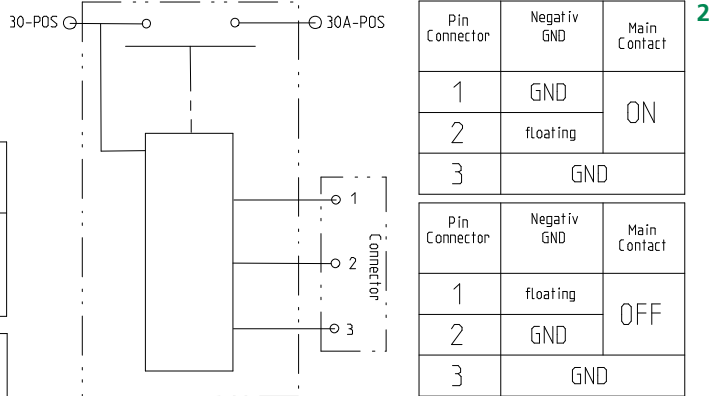
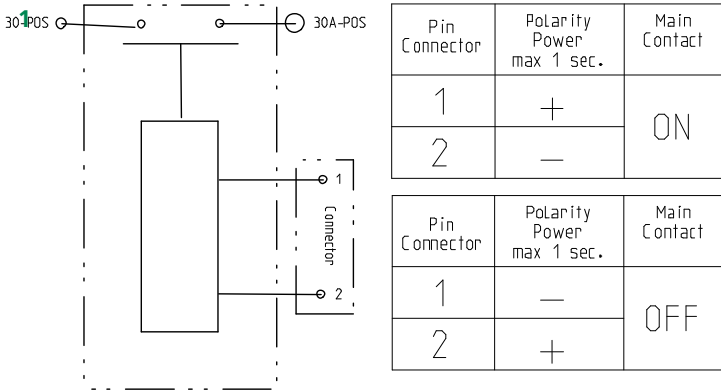
Ordering Information

PART NUMBER	VOLTAGE	AMPERAGE	CIRCUITRY	MOUNTING	INGRESS	TERMINAL NUTS	IMAGE	DIAGRAM	NOTES
08075062	12V-24V DC	250A	SPST	Bolt-Down	IP67-9K	M10 Silver-plated copper	B	1	DIN connector (4 way) 2 pins
08075063	12V-24V DC	250A	SPST	Bolt-Down	IP67-9K	M10 Silver-plated copper	A	1	Supersal 2 way
08075064	12V-24V DC	250A	SPST	Bolt-Down	IP67-9K	M10 Silver-plated copper	B	2	DIN connector (4 way) 3 pins
08075100	24V DC	250A	SPST	Bolt-Down	IP67-9K	M10 Silver-plated copper	E	6	DIN conn. 4 way-time-relay 3'
08075160	12V-24V DC	500A	SPST	Bolt-Down	IP67-9K	M10 Silver-plated copper	D	6	DIN conn. 4 way-time-relay 6'
08075161	12V-24V DC	250A	SPST	Bolt-Down	IP67-9K	M10 Silver-plated copper	C	3 / 4	DIN conn. (7 way) 6 pins
08075162	24V DC	250A	SPST	Bolt-Down	IP67-9K	M10 Silver-plated copper	B	6	Kit of 08075100
08075163	12V-24V DC	250A	SPST	Bolt-Down	IP67-9K	M10 Silver-plated copper	D	3 / 4	Kit of 08075161 (Watchdog)
08075200	12V-24V DC	250A	SPST	Bolt-Down	IP67-9K	M10 Silver-plated copper	E	5	ADR version

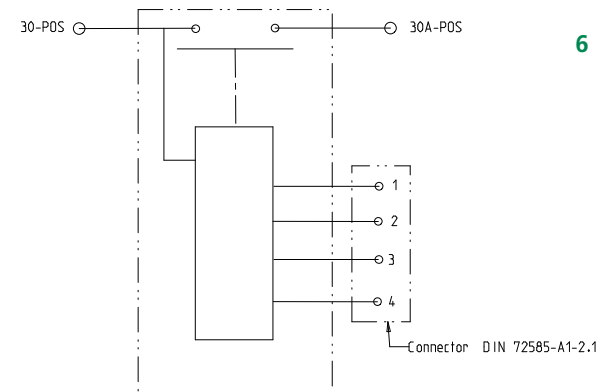
08075062 & 08075200 BATTERY DISCONNECT SWITCHES

Electrical Diagram

All the range \pm disconnection separate coil feeding



Function Table	INPUT		OUTPUT	
	CAB switch	CHASSIS switch	Aux (open drain)	MAIN CONTACT
1	ON	ON	OFF	CLOSED
2	ON	ON=>OFF	Temporary ON	Closed=> Open
3	ON	OFF	OFF	Open
4	ON=> OFF	ON	Temporary ON	Closed=> Open
5	OFF	ON	OFF	Open
6	OFF	OFF	OFF	Open

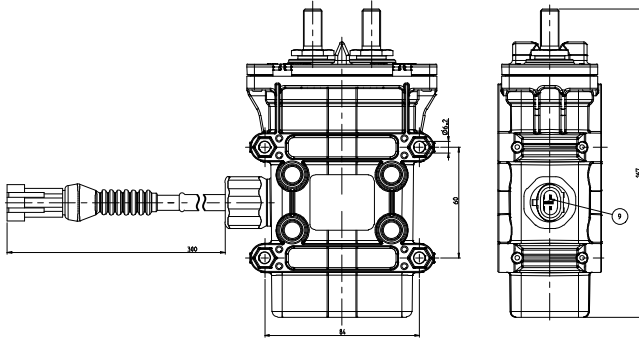


Visit Littelfuse.com for the most up-to-date product information. Littelfuse reserves the right to make product changes, without notice. Material in this document is as accurate as known at the time of publication.

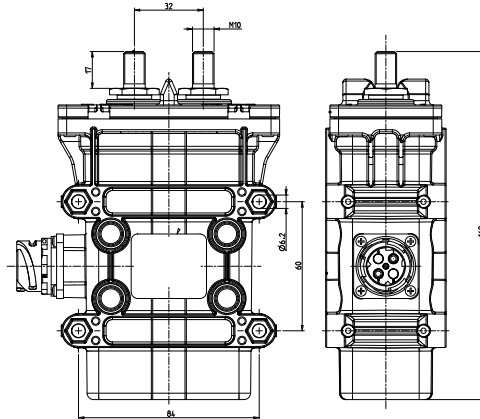
08075062 & 08075200 BATTERY DISCONNECT SWITCHES

Dimensions in millimeters

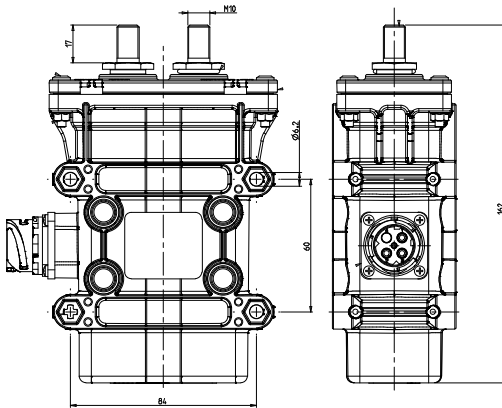
08075063



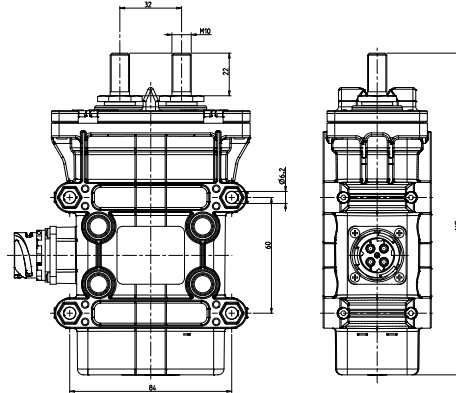
08075062



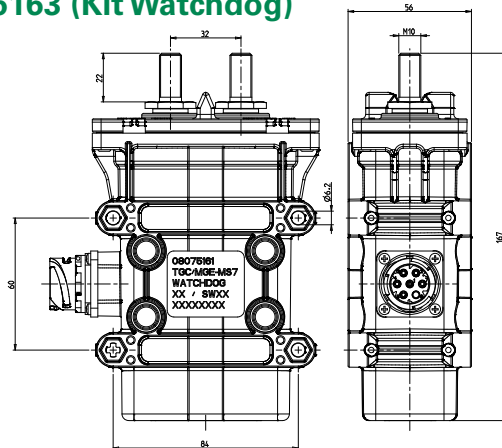
08075064



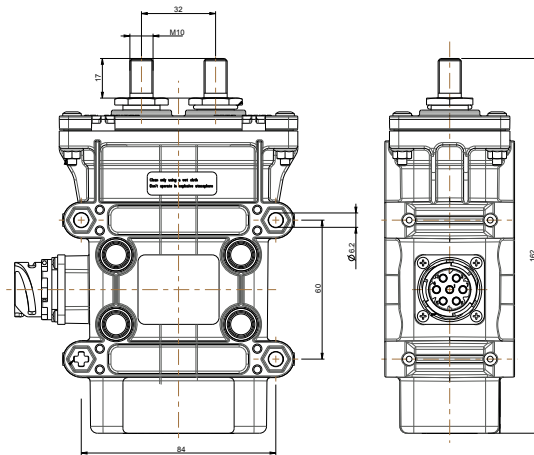
08075100 - 08075160 - 08075162 (Kit)



08075161 (Watchdog) 08075163 (Kit Watchdog)



08075200



Visit Littelfuse.com for the most up-to-date product information. Littelfuse reserves the right to make product changes, without notice. Material in this document is as accurate as known at the time of publication.