



## PRODUCT SPECIFICATION

*Part Number*

PT322457A-TLMWU-EH26

|                      |                               |
|----------------------|-------------------------------|
| CUSTOMER             |                               |
| CUSTOMER PART NUMBER |                               |
| DESCRIPTION          | 5.7" TFT LCD, High Brightness |
| APPROVED BY          |                               |
| DATE                 |                               |

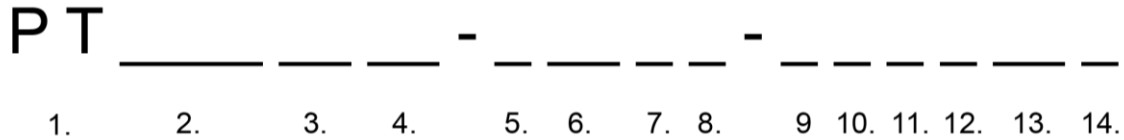
**1. Table of Contents**

| <b>No.</b> | <b>Contents</b>                         | <b>Page</b> |
|------------|-----------------------------------------|-------------|
| 1          | Table of Contents                       | 2           |
| 2          | Record of Revisions                     | 3           |
| 3          | Module Numbering System                 | 4           |
| 4          | Application                             | 5           |
| 5          | Features                                | 5           |
| 6          | General Specifications                  | 5           |
| 7          | Absolute Maximum Ratings                | 6           |
| 8          | Electrical Characteristics              | 7           |
| 9          | Block Diagram                           | 8           |
| 10         | Input / Output Terminals Pin Assignment | 9           |
| 11         | Interface Timing                        | 12          |
| 12         | Optical Characteristics                 | 14          |
| 13         | Reliability Test                        | 17          |
| 14         | Packaging                               | 18          |
| 15         | Precautions                             | 19          |
| 16         | Outline Drawing                         | 20          |
| 17         | Definition of Labels                    | 21          |
| 18         | Incoming Inspection Standards           | 23          |
|            |                                         |             |
|            |                                         |             |
|            |                                         |             |





### 3. Module Numbering System



#### 1. P-TEC TFT

#### 8. VIEWING DIRECTION

D: 6 o'clock  
U: 12 o'clock  
F: Full Viewing Angle

#### 2. LENGTH x WIDTH PIXELS

If third character is a zero, it is removed to shorten part number. Example: 240 x 320 = PT3224

#### 9. A ~ Z CODE

Assigned by P-tec

#### 3. DIAGONAL DIMENSIONS

Example: 3.5" display = 35 in part number

#### 11. TEMPERATURE RANGE

Normal: Left Blank  
Wide: X

#### 4. PRODUCT VERSION

Series assigned by P-tec

#### 12. LUMINANCE

Blank: Normal (<300 nit)  
M: Middle (>= 300 nit)  
H: High (> 600 nit)

#### 5. LCD MODE

T: TN  
I: IPS  
V: VA

#### 13. TOUCH PANEL OPTION

No TP: Left Blank  
C: Capacitive TP  
R: Resistive TP

#### 6. POLARIZER

LM: Transmissive  
LF: Transflective

#### 14. SPECIAL CHARACTERS

Customer special requirements

#### 7. BACKLIGHT COLOR

No Backlight: Left Blank  
W: White  
B: Blue/Green  
S: Yellow/Green



#### 4. Application

This specification is applied to the 5.7 inch QVGA supported TFT-LCD module, and can display true 262,144 colors(6 bit/ color). The module is designed for OA, Car TV application and other electronic products which require flat panel display of digital signal interface. This module is composed of a 5.7”TFT-LCD panel, a driver circuit and LED backlight unit.

#### 5. Features

- QVGA (320x240 pixels) resolution.
- Digital 18 bit parallel RGB.
- Line inversion mode with stripe type.
- SYNC mode is supported for digital RGB input data format.

#### 6. General Specifications

| Item                | Specifications                                                   | Unit |
|---------------------|------------------------------------------------------------------|------|
| Screen Size         | 5.7 (Diagonal)                                                   | inch |
| Display Format      | 320RGB(H)x240(V)                                                 | dot  |
| Active Area         | 115.2(H)x86.4(V)                                                 | mm   |
| Dot Size            | 0.120(H)x0.360(V)                                                | mm   |
| Pixel Configuration | RGB Vertical Stripe                                              | -    |
| Display Mode        | TN Type<br>Transmissive Mode<br>Normally White                   | -    |
| Surface Treatment   | Anti-Glare and Hard Coating(3H)                                  | -    |
| Viewing Direction   | 12 O'clock<br>(The Gray Inversion will appear at this direction) | -    |
| Outline Dimension   | 144.0(W)x104.6(H)x13.0(D)                                        | mm   |
| Weight              | (153)                                                            | g    |



## 7. Absolute Maximum Ratings

### 7.1 Absolute Ratings of Environment

| Item                          | Symbol          | Value |      | Unit | Note |
|-------------------------------|-----------------|-------|------|------|------|
|                               |                 | Min.  | Max. |      |      |
| Storage Temperature           | T <sub>ST</sub> | -30   | +80  | °C   | (1)  |
| Operating Ambient Temperature | T <sub>OP</sub> | -20   | +70  | °C   | (1)  |

Note (1) Temperature and relative humidity range are shown in the figure below.

(a) 90%RH Max. ( $T_a \leq 40^\circ\text{C}$ ).

(b) Wet-bulb temperature should be  $39^\circ\text{C}$  Max. ( $T_a > 40^\circ\text{C}$ ).

(c) No condensation.

### 7.2 Electrical Absolute Ratings

#### 7.2.1 TFT-LCD Module

( $T_a = 25 \pm 2^\circ\text{C}$ , GND =  $V_{SS} = 0\text{V}$ )

| Item                         | Symbol          | Value |      | Unit | Note |
|------------------------------|-----------------|-------|------|------|------|
|                              |                 | Min.  | Max. |      |      |
| Digital Power Supply Voltage | V <sub>CC</sub> | -0.3  | 4.3  | V    | -    |

#### 7.2.2 Backlight Unit

( $T_a = 25 \pm 2^\circ\text{C}$ )

| Item                      | Symbol         | Value |      | Unit | Note |
|---------------------------|----------------|-------|------|------|------|
|                           |                | Min.  | Max. |      |      |
| Current of Backlight Unit | I <sub>B</sub> | -     | 250  | mA   | (1)  |
| Reverse Voltage           | V <sub>B</sub> | -     | 15   | V    | (1)  |

Note (1) Permanent damage to the device may occur if maximum values are exceeded or reverse voltage is loaded.



## 8. Electrical Characteristics

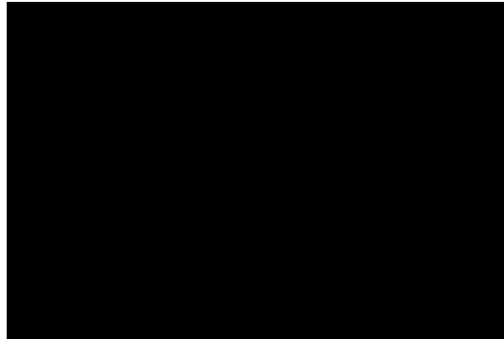
### 8.1 TFT-LCD Module

(Ta=25±2°C)

| Item                         | Symbol          | Value              |         |                    | Unit | Note |
|------------------------------|-----------------|--------------------|---------|--------------------|------|------|
|                              |                 | Min.               | Typ.    | Max.               |      |      |
| Power Supply Voltage         | V <sub>CC</sub> | 3.0                | 3.3     | 3.6                | V    | -    |
| Power Supply Current         | I <sub>CC</sub> | -                  | (50)    | 70                 | mA   | (1)  |
| Input High Threshold Voltage | V <sub>IH</sub> | 0.7V <sub>CC</sub> | -       | V <sub>CC</sub>    | V    | -    |
| Input Low Threshold Voltage  | V <sub>IL</sub> | 0                  | -       | 0.3V <sub>CC</sub> | V    | -    |
| Power Consumption            | P <sub>L</sub>  |                    | (0.165) | 0.231              | W    | (1)  |
| Frame Frequency              | F <sub>V</sub>  | -                  | 60      | -                  | Hz   | -    |
| Dot Clock                    | CLK             | -                  | 6.4     | 7                  | MHz  | -    |

Note (1) The specified power consumption is under the conditions at V<sub>CC</sub>=3.3V,  
F<sub>V</sub>=60Hz, whereas a power dissipation check pattern below is displayed.

Black Pattern / 0 Gray



Active Area

### 8.2 Backlight Unit

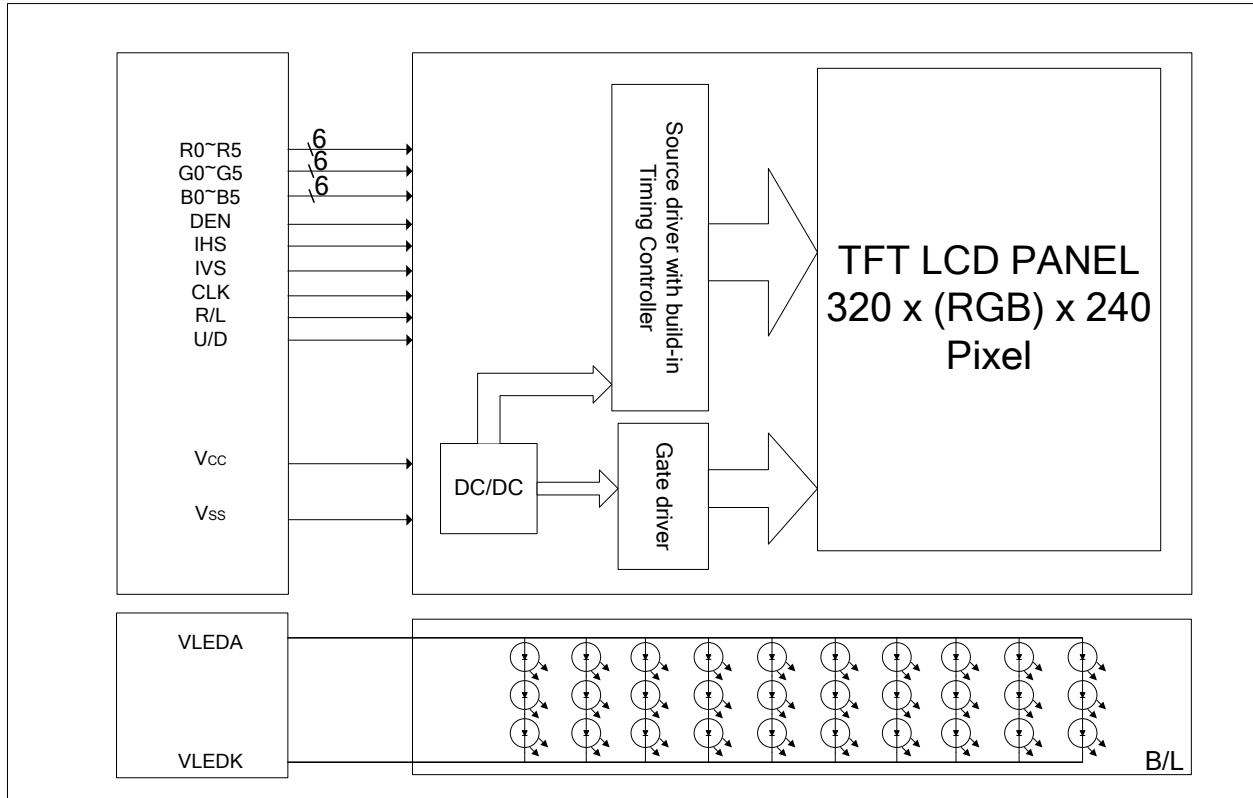
(Ta=25±2°C)

| Item                      | Symbol          | Value |      |      | Unit | Note                  |
|---------------------------|-----------------|-------|------|------|------|-----------------------|
|                           |                 | Min.  | Typ. | Max. |      |                       |
| Current of Backlight Unit | I <sub>B</sub>  | -     | 200  | -    | mA   | -                     |
| Voltage of Backlight Unit | V <sub>B</sub>  | -     | 10   | -    | V    | I <sub>B</sub> =200mA |
| Power Consumption         | P <sub>BL</sub> | -     | 2    | -    | W    | I <sub>B</sub> =200mA |
| LED Life Time(25°C)       | -               | 40000 | -    | -    | hr   | (1)                   |

Note (1) : LED life time is defined as under 25±2°C , when the average brightness decrease to 50% of original brightness



### 9. Block Diagram







## 10. Input / Output Terminals Pin Assignment

### 10.1 TFT-LCD Module

Connector: CVILUX CF25331D0R0-05

| Pin No. | Symbol | I/O | Description                                                                               |
|---------|--------|-----|-------------------------------------------------------------------------------------------|
| 1       | Vss    | I   | Ground                                                                                    |
| 2       | CLK    | I   | Clock signal                                                                              |
| 3       | IHS    | I   | Horizontal synchronous signal                                                             |
| 4       | IVS    | I   | Vertical synchronous signal                                                               |
| 5       | Vss    | I   | Ground                                                                                    |
| 6       | R0     | I   | RED data (LSB)                                                                            |
| 7       | R1     | I   | RED data                                                                                  |
| 8       | R2     | I   | RED data                                                                                  |
| 9       | R3     | I   | RED data                                                                                  |
| 10      | R4     | I   | RED data                                                                                  |
| 11      | R5     | I   | RED data(MSB)                                                                             |
| 12      | Vss    | I   | Ground                                                                                    |
| 13      | G0     | I   | GREEN data(LSB)                                                                           |
| 14      | G1     | I   | GREEN data                                                                                |
| 15      | G2     | I   | GREEN data                                                                                |
| 16      | G3     | I   | GREEN data                                                                                |
| 17      | G4     | I   | GREEN data                                                                                |
| 18      | G5     | I   | GREEN data(MSB)                                                                           |
| 19      | Vss    | I   | Ground                                                                                    |
| 20      | B0     | I   | Blue data(LSB)                                                                            |
| 21      | B1     | I   | Blue data                                                                                 |
| 22      | B2     | I   | Blue data                                                                                 |
| 23      | B3     | I   | Blue data                                                                                 |
| 24      | B4     | I   | Blue data                                                                                 |
| 25      | B5     | I   | Blue data(MSB)                                                                            |
| 26      | Vss    | I   | Ground                                                                                    |
| 27      | DEN    | I   | Input data enable control                                                                 |
| 28      | Vcc    | I   | +3.3V power supply                                                                        |
| 29      | Vcc    | I   | +3.3V power supply                                                                        |
| 30      | R/L    | I   | Right-and-Left scan setting.<br>("L" : Normally , "H" : Right-and-Left reversal) .Note(1) |



**P-TEC**

**MODEL NO.**

PT322457A-TLMWU-EH26

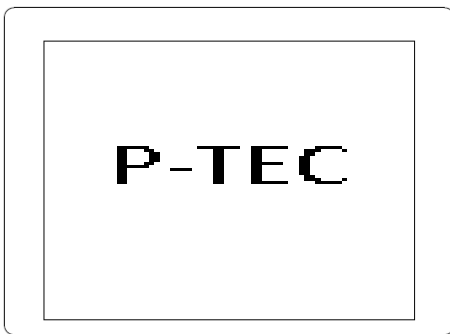
SPEC SAMPLE

**PAGE**

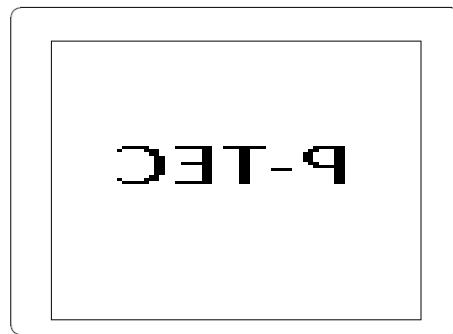
10

| Pin No. | Symbol | I/O | Description                                                                     |
|---------|--------|-----|---------------------------------------------------------------------------------|
| 31      | U/D    | I   | Up/down scan setting.<br>("H": normal scan. "L": Up-and-Down reversal.) Note(1) |
| 32      | NC     | I   | No connection                                                                   |
| 33      | Vss    | I   | Ground                                                                          |

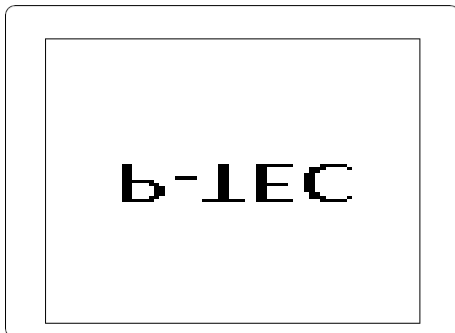
Note (1)



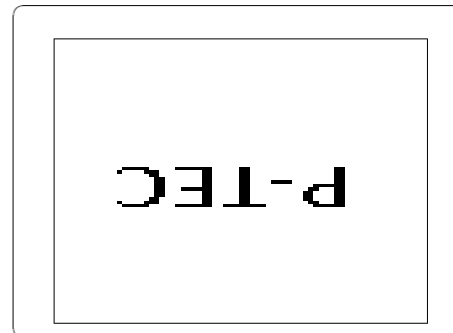
R/L=L, U/D=H



R/L=H, U/D=H



R/L=L, U/D=L



R/L=H, U/D=L



### 10.2 Backlight Unit

Connector: JST BHSR-02VS-1

| Pin No. | Symbol | I/O | Description            | Wire Color |
|---------|--------|-----|------------------------|------------|
| 1       | VLEDA  | I   | Backlight LED Anode.   | Red        |
| 2       | VLEDC  | I   | Backlight LED Cathode. | Black      |

### 10.3 Color Data Input Assignment

The brightness of each primary color(red, green and blue) is based on the 6 bit gray scale data input for the color. The higher the binary input, the brighter the color. The table provides the assignment of color versus data input.

| Color               |                 | Data Signal |    |    |    |    |    |       |    |    |    |    |    |      |    |    |    |    |    |
|---------------------|-----------------|-------------|----|----|----|----|----|-------|----|----|----|----|----|------|----|----|----|----|----|
|                     |                 | Red         |    |    |    |    |    | Green |    |    |    |    |    | Blue |    |    |    |    |    |
|                     |                 | R5          | R4 | R3 | R2 | R1 | R0 | G5    | G4 | G3 | G2 | G1 | G0 | B5   | B4 | B3 | B2 | B1 | B0 |
| Basic Colors        | Black           | 0           | 0  | 0  | 0  | 0  | 0  | 0     | 0  | 0  | 0  | 0  | 0  | 0    | 0  | 0  | 0  | 0  | 0  |
|                     | Red             | 1           | 1  | 1  | 1  | 1  | 1  | 0     | 0  | 0  | 0  | 0  | 0  | 0    | 0  | 0  | 0  | 0  | 0  |
|                     | Green           | 0           | 0  | 0  | 0  | 0  | 0  | 1     | 1  | 1  | 1  | 1  | 1  | 0    | 0  | 0  | 0  | 0  | 0  |
|                     | Blue            | 0           | 0  | 0  | 0  | 0  | 0  | 0     | 0  | 0  | 0  | 0  | 0  | 1    | 1  | 1  | 1  | 1  | 1  |
|                     | Cyan            | 0           | 0  | 0  | 0  | 0  | 0  | 1     | 1  | 1  | 1  | 1  | 1  | 1    | 1  | 1  | 1  | 1  | 1  |
|                     | Magenta         | 1           | 1  | 1  | 1  | 1  | 1  | 0     | 0  | 0  | 0  | 0  | 0  | 1    | 1  | 1  | 1  | 1  | 1  |
|                     | Yellow          | 1           | 1  | 1  | 1  | 1  | 1  | 1     | 1  | 1  | 1  | 1  | 1  | 0    | 0  | 0  | 0  | 0  | 0  |
|                     | White           | 1           | 1  | 1  | 1  | 1  | 1  | 1     | 1  | 1  | 1  | 1  | 1  | 1    | 1  | 1  | 1  | 1  | 1  |
| Gray Scale Of RED   | Red(0) / Dark   | 0           | 0  | 0  | 0  | 0  | 0  | 0     | 0  | 0  | 0  | 0  | 0  | 0    | 0  | 0  | 0  | 0  | 0  |
|                     | Red(1)          | 0           | 0  | 0  | 0  | 0  | 1  | 0     | 0  | 0  | 0  | 0  | 0  | 0    | 0  | 0  | 0  | 0  | 0  |
|                     | Red(2)          | 0           | 0  | 0  | 0  | 1  | 0  | 0     | 0  | 0  | 0  | 0  | 0  | 0    | 0  | 0  | 0  | 0  | 0  |
|                     | :               | :           | :  | :  | :  | :  | :  | :     | :  | :  | :  | :  | :  | :    | :  | :  | :  | :  | :  |
|                     | :               | :           | :  | :  | :  | :  | :  | :     | :  | :  | :  | :  | :  | :    | :  | :  | :  | :  | :  |
|                     | Red(61)         | 1           | 1  | 1  | 1  | 0  | 1  | 0     | 0  | 0  | 0  | 0  | 0  | 0    | 0  | 0  | 0  | 0  | 0  |
|                     | Red(62)         | 1           | 1  | 1  | 1  | 1  | 0  | 0     | 0  | 0  | 0  | 0  | 0  | 0    | 0  | 0  | 0  | 0  | 0  |
|                     | Red(63)         | 1           | 1  | 1  | 1  | 1  | 1  | 0     | 0  | 0  | 0  | 0  | 0  | 0    | 0  | 0  | 0  | 0  | 0  |
| Gray Scale Of Green | Green(0) / Dark | 0           | 0  | 0  | 0  | 0  | 0  | 0     | 0  | 0  | 0  | 0  | 0  | 0    | 0  | 0  | 0  | 0  | 0  |
|                     | Green(1)        | 0           | 0  | 0  | 0  | 0  | 0  | 0     | 0  | 0  | 0  | 1  | 0  | 0    | 0  | 0  | 0  | 0  | 0  |
|                     | Green(2)        | 0           | 0  | 0  | 0  | 0  | 0  | 0     | 0  | 0  | 0  | 1  | 0  | 0    | 0  | 0  | 0  | 0  | 0  |
|                     | :               | :           | :  | :  | :  | :  | :  | :     | :  | :  | :  | :  | :  | :    | :  | :  | :  | :  | :  |
|                     | :               | :           | :  | :  | :  | :  | :  | :     | :  | :  | :  | :  | :  | :    | :  | :  | :  | :  | :  |
|                     | Green(61)       | 0           | 0  | 0  | 0  | 0  | 0  | 1     | 1  | 1  | 1  | 0  | 1  | 0    | 0  | 0  | 0  | 0  | 0  |
|                     | Green(62)       | 0           | 0  | 0  | 0  | 0  | 0  | 1     | 1  | 1  | 1  | 1  | 0  | 0    | 0  | 0  | 0  | 0  | 0  |
|                     | Green(63)       | 0           | 0  | 0  | 0  | 0  | 0  | 1     | 1  | 1  | 1  | 1  | 1  | 0    | 0  | 0  | 0  | 0  | 0  |
| Gray Scale Of Blue  | Blue(0) / Dark  | 0           | 0  | 0  | 0  | 0  | 0  | 0     | 0  | 0  | 0  | 0  | 0  | 0    | 0  | 0  | 0  | 0  | 0  |
|                     | Blue(1)         | 0           | 0  | 0  | 0  | 0  | 0  | 0     | 0  | 0  | 0  | 0  | 0  | 0    | 0  | 0  | 0  | 0  | 1  |
|                     | Blue(2)         | 0           | 0  | 0  | 0  | 0  | 0  | 0     | 0  | 0  | 0  | 0  | 0  | 0    | 0  | 0  | 0  | 0  | 1  |
|                     | :               | :           | :  | :  | :  | :  | :  | :     | :  | :  | :  | :  | :  | :    | :  | :  | :  | :  | :  |
|                     | :               | :           | :  | :  | :  | :  | :  | :     | :  | :  | :  | :  | :  | :    | :  | :  | :  | :  | :  |
|                     | Blue(61)        | 0           | 0  | 0  | 0  | 0  | 0  | 0     | 0  | 0  | 0  | 0  | 0  | 1    | 1  | 1  | 1  | 1  | 0  |
|                     | Blue(62)        | 0           | 0  | 0  | 0  | 0  | 0  | 0     | 0  | 0  | 0  | 0  | 0  | 1    | 1  | 1  | 1  | 1  | 0  |
|                     | Blue(63)        | 0           | 0  | 0  | 0  | 0  | 0  | 0     | 0  | 0  | 0  | 0  | 0  | 1    | 1  | 1  | 1  | 1  | 1  |

**11. Interface Timing****11.1 Input Signal Characteristics**

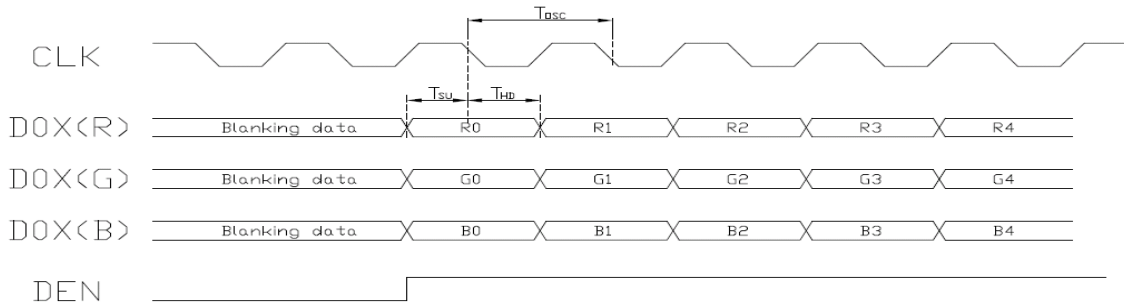
| PARAMETER       |      | Symbol    | Min. | Typ.  | Max. | Unit      |
|-----------------|------|-----------|------|-------|------|-----------|
| CLK period      |      | $T_{OSC}$ | -    | 156   | -    | ns        |
| Data setup time |      | $T_{SU}$  | 12   | -     | -    | ns        |
| Data hold time  |      | $T_{HD}$  | 12   | -     | -    | ns        |
| IHS period      |      | $T_H$     | -    | 408   | -    | $T_{OSC}$ |
| IHS pulse width |      | $T_{HS}$  | 5    | 30    | -    | $T_{OSC}$ |
| IHS setup time  |      | $T_{Cr}$  | 12   | -     | -    | ns        |
| IHS hold time   |      | $T_{Cf}$  | 12   | -     | -    | ns        |
| IVS pulse width |      | $T_{VS}$  | 1    | 3     | 5    | $T_H$     |
| IVS setup time  |      | $T_{Vr}$  | 12   | -     | -    | ns        |
| IVS hold time   |      | $T_{Vf}$  | 12   | -     | -    | $\mu s$   |
| IVS-DEN time    | NTSC | $T_{VSE}$ | -    | 18    | -    | $T_H$     |
|                 | PAL  | $T_{VSE}$ | -    | 26    | -    | $T_H$     |
| IHS-DEN time    |      | $T_{HE}$  | 36   | 68    | 88   | $T_{OSC}$ |
| DEN pulse width |      | $T_{EP}$  | -    | 320   | -    | $T_{OSC}$ |
| DEN-STH time    |      | $T_{DES}$ | -    | 1     | -    | $T_{OSC}$ |
| IVS period      | NTSC | -         | -    | 262.5 | -    | $T_H$     |
|                 | PAL  | -         | -    | 312.5 | -    | $T_H$     |

Note: When SYNC mode is used, 1st data start from 68th CLK after IHS falling.

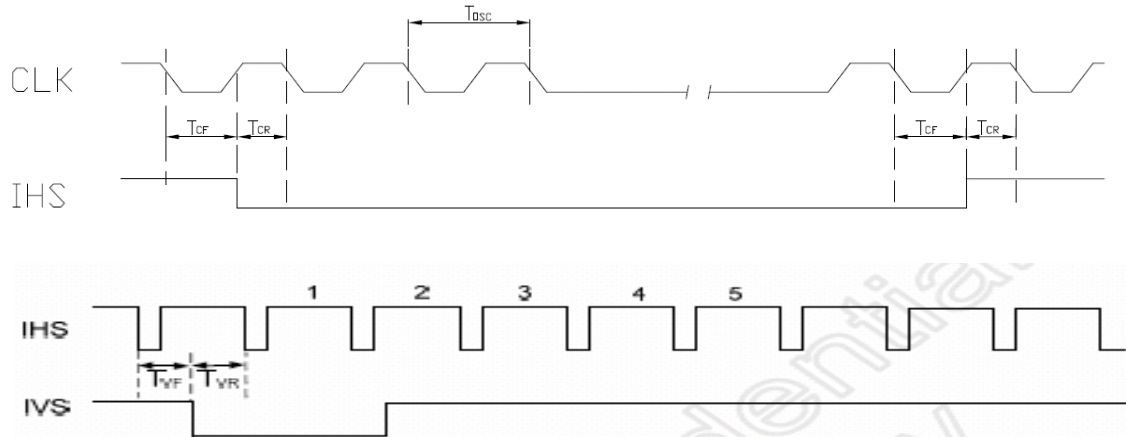


## 11.2 Waveform

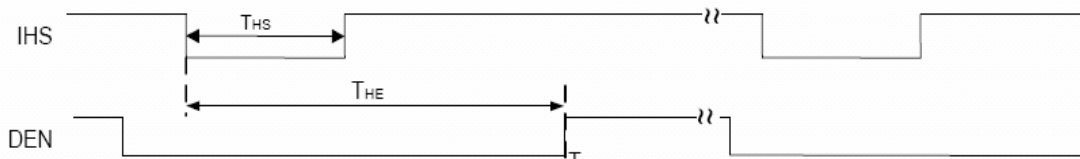
### 11.2.1 Clock and Data Waveform



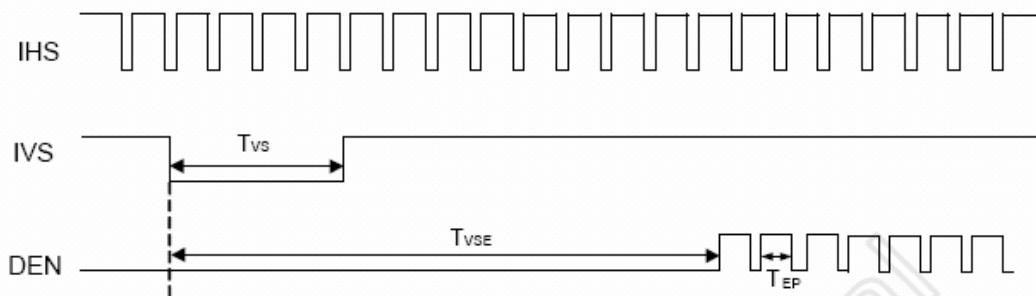
### 11.2.2 Clock and Sync waveforms



### 11.2.3 IHS and horizontal control timing waveforms



### 11.2.4 IHS and vertical control timing waveforms





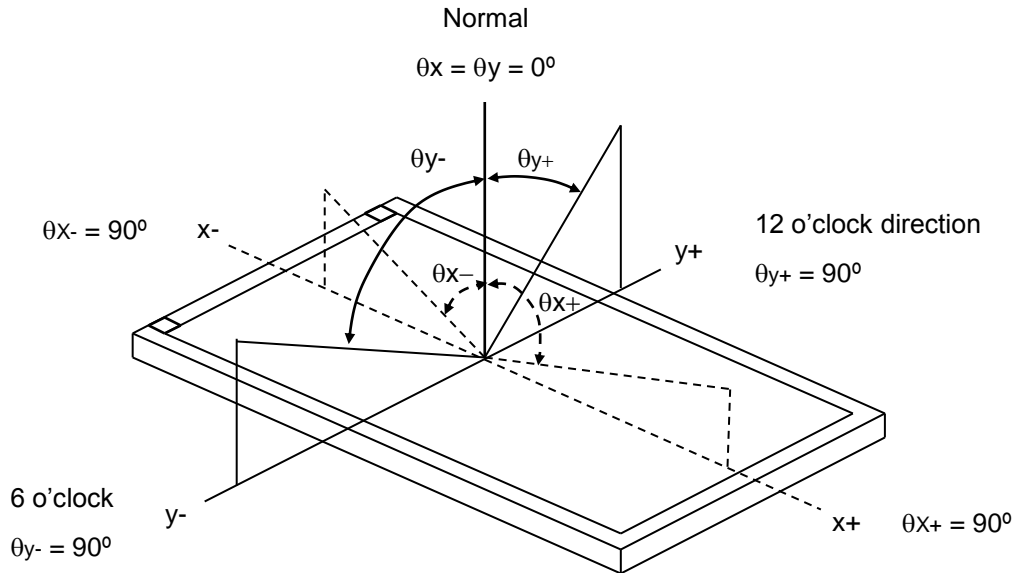
## 12. Optical Characteristics

The optical characteristics should be measured in a dark environment ( $\leq 1$  lux) or equivalent state with the methods shown in Note (4).

| Item                  |            | Symbol        | Conditions                                                      | Min.    | Typ.    | Max.    | Unit              | Note    |
|-----------------------|------------|---------------|-----------------------------------------------------------------|---------|---------|---------|-------------------|---------|
| Contrast Ratio        |            | CR            | $\theta_x=0^\circ, \theta_y=0^\circ$<br>Viewing Normal<br>Angle | 300     | (450)   | -       | -                 | (2)     |
| Response Time         |            | $T_R$         |                                                                 | -       | 15      | -       | ms                | (3)     |
|                       |            | $T_F$         |                                                                 | -       | 35      | -       | ms                |         |
| Luminance(Center)     |            | Y             |                                                                 | 650     | (700)   | -       | cd/m <sup>2</sup> | (4)     |
| Brightness uniformity |            | BUNI          |                                                                 | 75      | (80)    | -       | %                 | (5)     |
| Color Chromaticity    | Red        | Rx            |                                                                 | (0.578) | (0.628) | (0.678) | -                 | (1),(4) |
|                       |            | Ry            |                                                                 | (0.291) | (0.341) | (0.391) | -                 |         |
|                       | Green      | Gx            |                                                                 | (0.265) | (0.315) | (0.365) | -                 |         |
|                       |            | Gy            |                                                                 | (0.530) | (0.580) | (0.630) | -                 |         |
|                       | Blue       | Bx            |                                                                 | (0.087) | (0.137) | (0.187) | -                 |         |
|                       |            | By            | (0.065)                                                         | (0.115) | (0.165) | -       |                   |         |
|                       | White      | Wx            | (0.270)                                                         | (0.320) | (0.370) | -       |                   |         |
|                       |            | Wy            | (0.316)                                                         | (0.366) | (0.416) | -       |                   |         |
| Viewing Angle         | Horizontal | $\theta_{x+}$ | 55                                                              | (60)    | -       | deg.    |                   |         |
|                       |            | $\theta_{x-}$ | 55                                                              | (60)    | -       |         |                   |         |
|                       | Vertical   | $\theta_{y+}$ | 55                                                              | (60)    | -       |         |                   |         |
|                       |            | $\theta_{y-}$ | 45                                                              | (50)    | -       |         |                   |         |



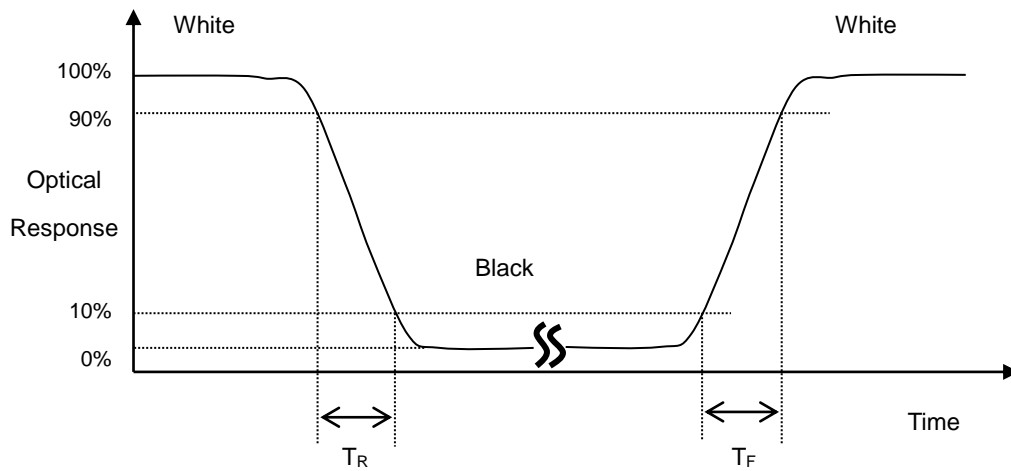
Note (1) Definition of Viewing Angle ( $\theta_x$ ,  $\theta_y$ ):



Note (2) Definition of Contrast Ratio (CR):

$$\text{Contrast ratio (CR)} = \frac{\text{Luminance measured when LCD on the "White" state}}{\text{Luminance measured when LCD on the "Black" state}}$$

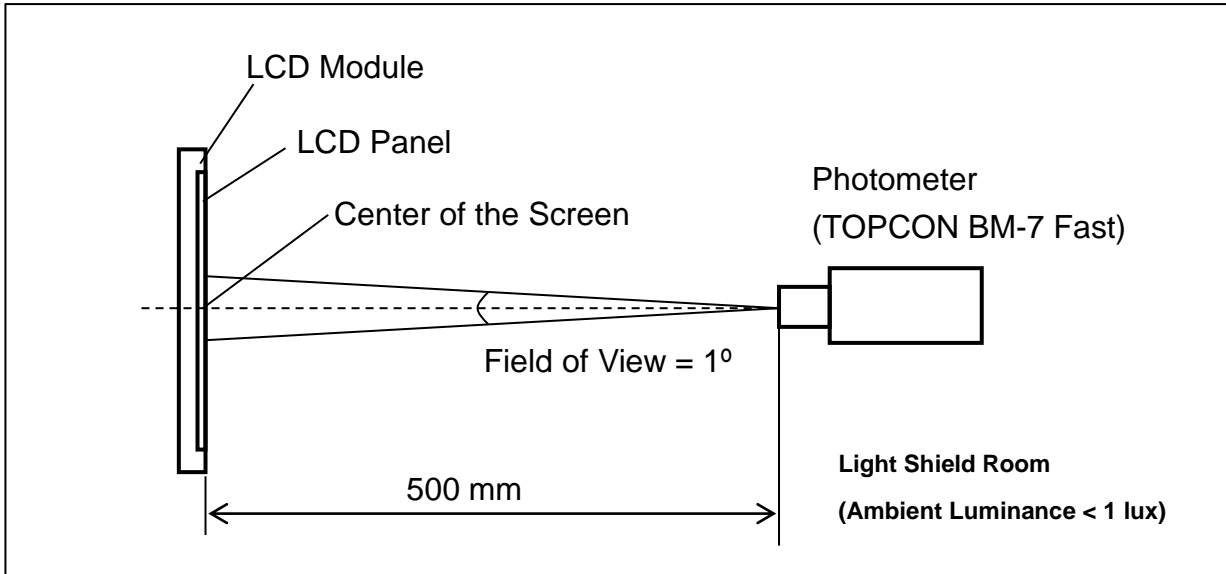
Note (3) Definition of Response Time ( $T_R$ ,  $T_F$ ):





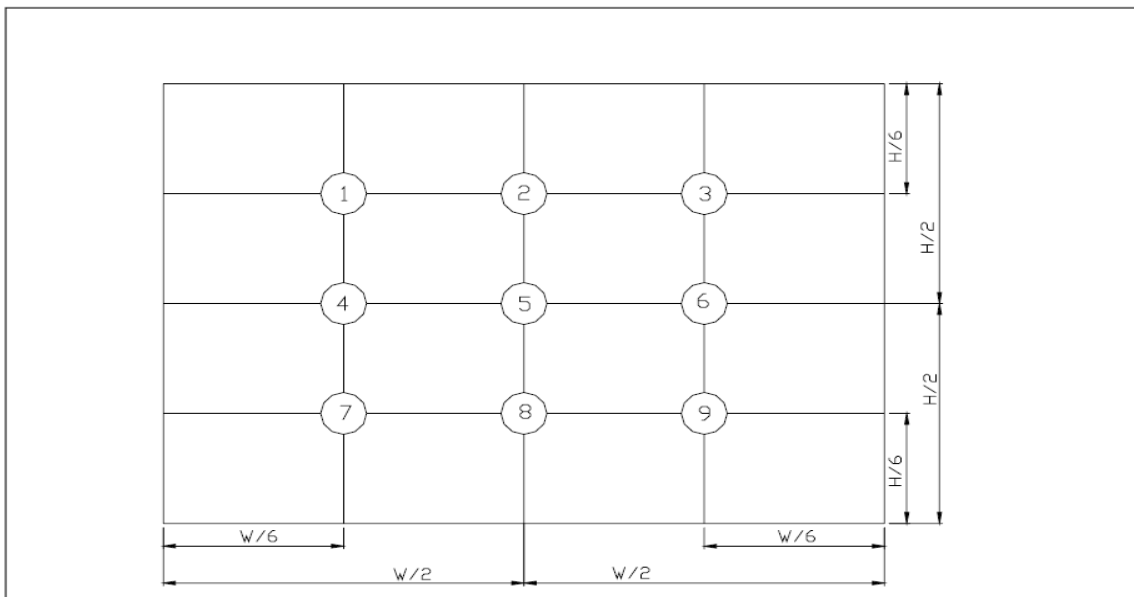
**Note (4) Measurement Set-Up:**

The LCD module should be stabilized at a given temperature for 30 minutes to avoid abrupt temperature change during measuring. In order to stabilize the luminance, the measurement should be executed after lighting Backlight for 30 minutes in a windless room.



**Note (5) Definition of brightness uniformity**

Brightness uniformity=(Min Luminance of 9 points)/(Max Luminance of 9 points)×100%



( 單位 : mm )



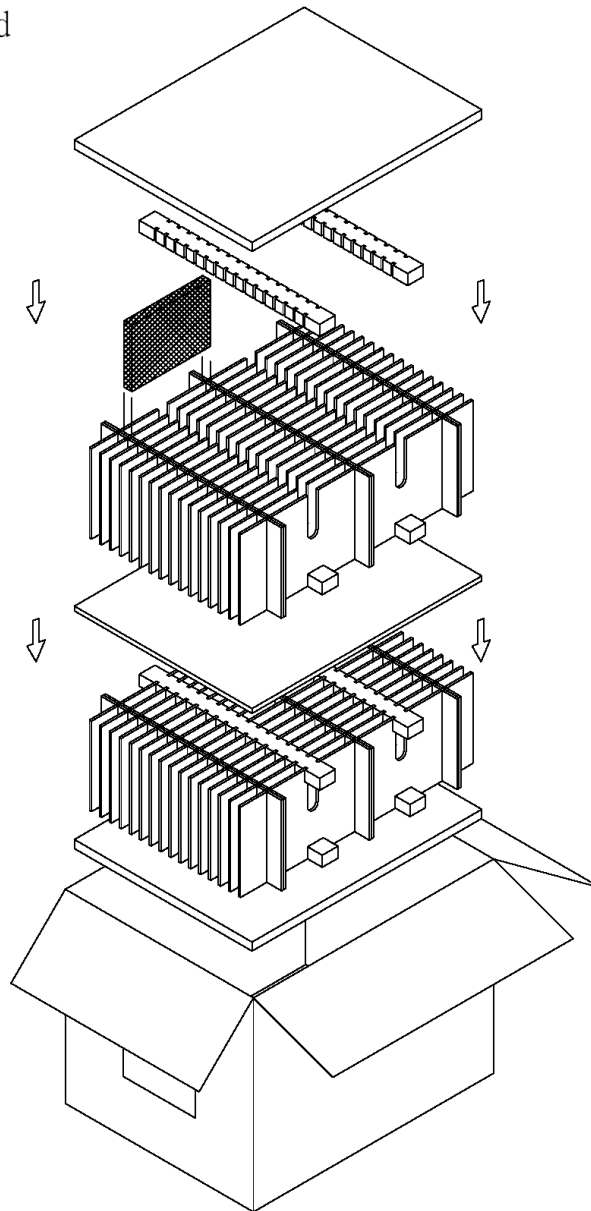
**13. Reliability Test**

| No. | Test Items                                        | Test Condition                                                        | Remark |
|-----|---------------------------------------------------|-----------------------------------------------------------------------|--------|
| 1   | High Temperature Storage Test                     | T <sub>a</sub> = 80°C 240 hours                                       | -      |
| 2   | Low Temperature Storage Test                      | T <sub>a</sub> = -30°C 240 hours                                      | -      |
| 3   | High Temperature Operation Test                   | T <sub>a</sub> = 70°C 240 hours                                       | -      |
| 4   | Low Temperature Operation Test                    | T <sub>a</sub> = -20°C 240 hours                                      | -      |
| 5   | High Temperature and High Humidity Operation Test | T <sub>a</sub> =60°C 90%RH 240 hours                                  | -      |
| 6   | Electro Static Discharge Test (non-operating)     | -Panel Surface/Top Case<br>: 150pF, 330Ω<br>Air: ±15kV, Contact: ±8kV | -      |
| 7   | Mechanical Shock Test (non-operating)             | Half sine wave,<br>80G, 11ms<br>3 times shock of each six surfaces    | -      |
| 8   | Vibration Test (non-operating)                    | Sine wave, 10 ~ 55 ~ 10Hz,<br>3 axis, 2 hours/axis                    | -      |
| 9   | Thermal Shock Test (non-operating)                | -20°C(30min) ~ 70°C(30min), 100 cycles                                | -      |
| 10  | Drop Test(with Carton)                            | Height: 80cm<br>1 corner, 3 edges, 6 surfaces                         | -      |



### 14. Packaging

Packing Method



#### PARTS LIST

|   | ITEM                 | SIZE(LxWxH) unit:mm | MATERIAL | Q.T.Y | NOTE |
|---|----------------------|---------------------|----------|-------|------|
| 1 | STATIC SHIEDING BAGS | 200.0x145.0*0.09    |          | 60    |      |
| 2 | PU FOAM              | 440.0x340.0x15.0    | SPONGE   | 2     |      |
| 3 | EPE PAD              | 345.0x30.0x20.0     |          | 8     |      |
| 4 | CARD BOARD           | 345.0x150.0x3.5     | CARTON   | 12    |      |
| 5 | CARD BOARD           | 445.0x150.0x3.5     | CARTON   | 32    |      |
| 6 | CARD BOARD           | 440.0x340.0x8.0     | CARTON   | 1     |      |
| 7 | EXTERNAL BOX         | 460.0x360.0x355.0   | CARTON   | 1     |      |
| 8 | PRODUCT              | 144.0x104.6x13.0    |          | 60    |      |



## **15. Precautions**

### **15.1 Assembly and Handling Precautions**

- (1) Do not apply rough force such as bending or twisting to the module during assembly.
- (2) It's recommended to assemble or to install a module into the user's system in clean working areas. The dust and oil may cause electrical short or worsen the polarizer.
- (3) Don't apply pressure or impulse to the module to prevent the damage of LCD panel and Backlight.
- (4) Always follow the correct power-on sequence when the LCD module is turned on. This can prevent the damage and latch-up of the CMOS LSI chips.
- (5) Do not plug in or pull out the I/F connector while the module is in operation.
- (6) Do not disassemble the module.
- (7) Use a soft dry cloth without chemicals for cleaning, because the surface of polarizer is very soft and easily scratched.
- (8) Moisture can easily penetrate into LCD module and may cause the damage during operation.
- (9) High temperature or humidity may deteriorate the performance of LCD module. Please store LCD module in the specified storage conditions.
- (10) When ambient temperature is lower than 10°C, the display quality might be reduced. For example, the response time will become slow.

### **15.2 Safety Precautions**

- (1) If the liquid crystal material leaks from the panel, it should be kept away from the eyes or mouth. In case of contact with hands, skin or clothes, it has to be washed away thoroughly with soap.
- (2) After the module's end of life, it is not harmful in case of normal operation and storage.



**P-TEC**

**MODEL NO.**

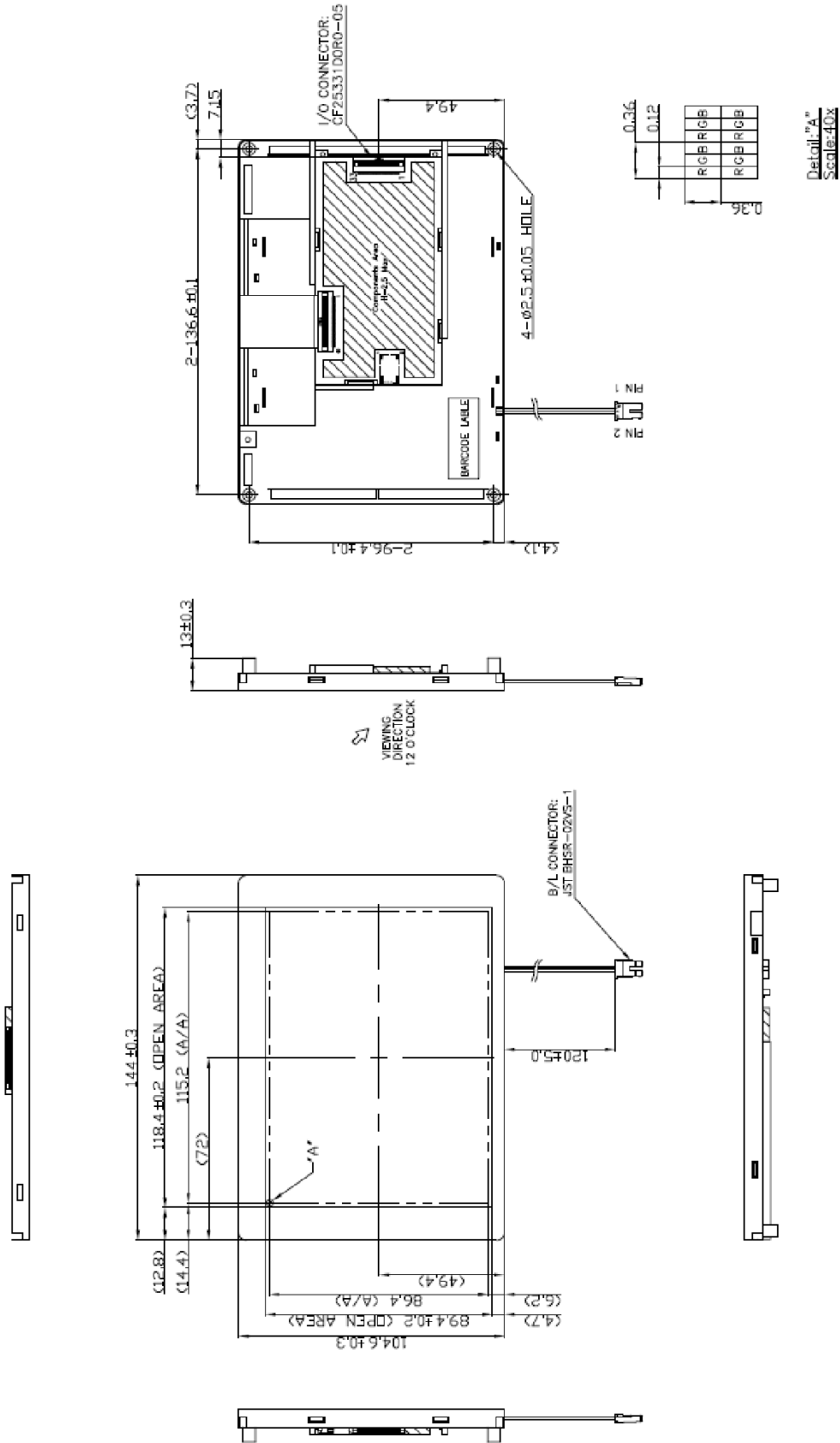
**PAGE**

PT322457A-TLMWU-EH26

SPEC SAMPLE

20

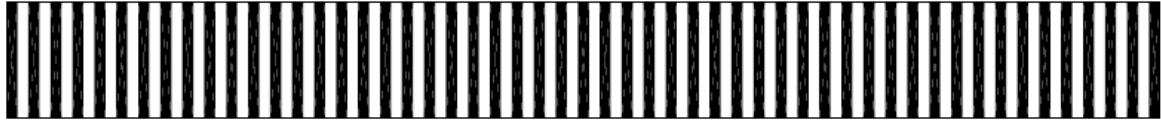
### 16.Outline Drawing



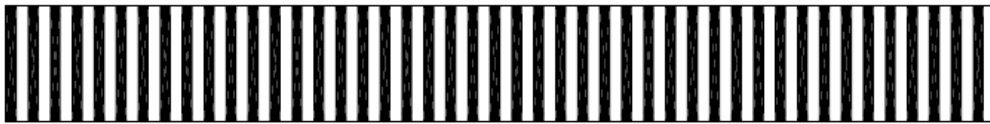


### 17. Definition of Labels

The bar code nameplate is pasted on each module as illustration, and its definitions are as following explanation.



PT322457A-TLMWU-EH26

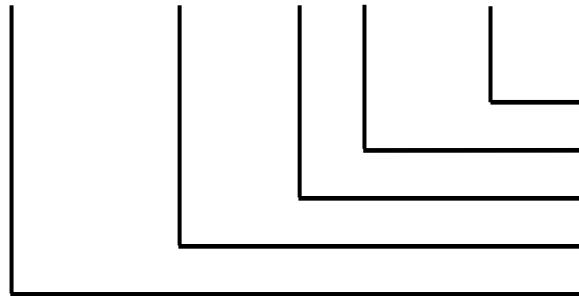


ABCDEFGHIJKLM

(a) Module Name: PT322457A-TLMWU-EH26

(b) Serial ID:

A B C D E F G H I J K L M



Serial No.  
Revision Code  
Factory Code  
Manufactured Date  
Screen Size

Serial ID includes the information as below:

(a) Screen size (Diagonal): Inch Code (ABCD)

3.5" → 0350

10.4" → 1040

(b) Manufactured Date: Year, Month, Day (EFG)

Year (E)

|      |      |      |      |      |      |      |      |      |      |      |
|------|------|------|------|------|------|------|------|------|------|------|
| Year | 2000 | 2001 | 2002 | 2003 | 2004 | 2005 | 2006 | 2007 | 2008 | 2009 |
| Mark | 0    | 1    | 2    | 3    | 4    | 5    | 6    | 7    | 8    | 9    |



**P-TEC**

**MODEL NO.**

**PAGE**

PT322457A-TLMWU-EH26

SPEC SAMPLE

22

Month (F)

|       |      |      |      |      |     |      |      |      |      |      |      |      |
|-------|------|------|------|------|-----|------|------|------|------|------|------|------|
| Month | Jan. | Feb. | Mar. | Apr. | May | Jun. | Jul. | Aug. | Sep. | Oct. | Nov. | Dec. |
| Mark  | 1    | 2    | 3    | 4    | 5   | 6    | 7    | 8    | 9    | A    | B    | C    |

Day (G)

|      |    |    |    |    |    |    |    |    |    |    |    |    |    |    |    |    |
|------|----|----|----|----|----|----|----|----|----|----|----|----|----|----|----|----|
| Day  | 1  | 2  | 3  | 4  | 5  | 6  | 7  | 8  | 9  | 10 | 11 | 12 | 13 | 14 | 15 | 16 |
| Mark | 1  | 2  | 3  | 4  | 5  | 6  | 7  | 8  | 9  | A  | B  | C  | D  | E  | F  | G  |
| Day  | 17 | 18 | 19 | 20 | 21 | 22 | 23 | 24 | 25 | 26 | 27 | 28 | 29 | 30 | 31 |    |
| Mark | H  | I  | J  | K  | L  | M  | N  | O  | P  | Q  | R  | S  | T  | U  | V  |    |

(c) Factory Code (H):

For P-TEC internal use.

(d) Revision Code (I):

Cover all the change, for example: 1: Rev.1, 2: Rev.2, 3: Rev.3...etc.

(e) Serial No. (JKLM):

Manufacturing sequence of product, for example: 0001~9999.



### 18. Incoming Inspection Standards

#### 18.1 The environmental condition of inspection

The environmental condition and visual inspection shall be conducted as below.

- (1) Ambient temperature  $25 \pm 5^{\circ}\text{C}$
- (2) Humidity:  $60 \pm 5\% \text{ RH}$
- (3) Viewing distance is approximately 35 ~ 40 cm
- (4) Viewing angle is normal to the LCD panel as Fig \_1( $10^{\circ}$ )
- (5) Ambient Illumination: 300 ~ 500 Lux for external appearance inspection

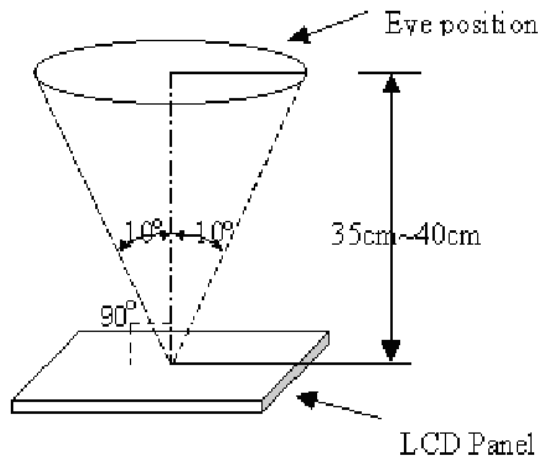


Fig \_ 1

#### 18.2 The defects classify of AQL as following:

| Class of defects | AQL   | Definition                                                                                                       |
|------------------|-------|------------------------------------------------------------------------------------------------------------------|
| Major            | 0.65% | It is defect that is likely to result in failure or to reduce materially the usability of the intended function. |
| Minor            | 1.5%  | It is a defect that will not result in functioning problem with deviation classified.                            |

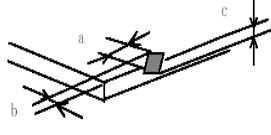
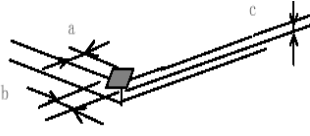
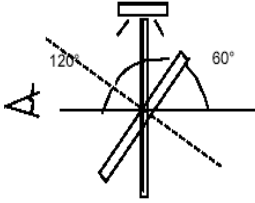


### 18.3 Inspection Parameters

| Item                                   |                                              | Specification/Description                                                    |                   |                   | Note       |               |
|----------------------------------------|----------------------------------------------|------------------------------------------------------------------------------|-------------------|-------------------|------------|---------------|
| Display                                | Function                                     | No Display                                                                   |                   |                   | -          |               |
|                                        |                                              | Malfunction                                                                  |                   |                   | -          |               |
| Operating                              | Contrast ratio                               | Out of Spec                                                                  |                   |                   | -          |               |
|                                        | Line defect                                  | No obvious Vertical and Horizontal line defect in bright , dark and colored. |                   |                   | -          |               |
|                                        | Point Defect<br>(red,green,blue,dark, white) | Item                                                                         | Acceptable number |                   |            | Note: 1、4、5、6 |
|                                        |                                              |                                                                              | A                 | B                 | Total      |               |
|                                        |                                              | BRIGHT DOT                                                                   | $N \leq 2$        | $N \leq 2$        | $N \leq 7$ |               |
|                                        |                                              | DARK DOT                                                                     | $N \leq 3$        | $N \leq 4$        |            |               |
|                                        |                                              | TOTAL DOT                                                                    | $N \leq 4$        | $N \leq 5$        |            |               |
| TWO ADJACENT DOT                       | NOT ALLOWED                                  |                                                                              |                   |                   |            |               |
| THREE OR MORE ADJACENT DOT             | NOT ALLOWED                                  |                                                                              |                   |                   |            |               |
| External Inspection<br>(non-operating) | Scratch on the polarizer                     | L(mm)                                                                        | W(mm)             | Acceptable number | Note:2     |               |
|                                        |                                              | $L \leq 2.5$                                                                 | $W \leq 0.1$      | 4                 |            |               |
|                                        |                                              | $L > 2.5$                                                                    | $W > 0.1$         | 0                 |            |               |
|                                        | Dent or bubble on the polarizer              | Dimension(mm)                                                                | Acceptable number |                   |            | Note:3        |
|                                        |                                              | $D \leq 0.5$                                                                 | 4                 |                   |            |               |
|                                        |                                              | $D \leq 0.15$                                                                | Disregard         |                   |            |               |
|                                        | Foreign material on the polarizer            | Dimension(mm)                                                                | Acceptable number |                   |            | Note:3        |
|                                        |                                              | $D \leq 0.5$                                                                 | 4                 |                   |            |               |
|                                        |                                              | $D \leq 0.15$                                                                | Disregard         |                   |            |               |



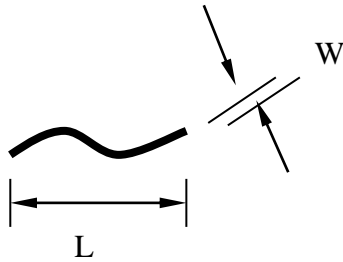


| Item           |                                                                                                                                       | Specification/Description                                                           |                     |                                                                           | Note   |
|----------------|---------------------------------------------------------------------------------------------------------------------------------------|-------------------------------------------------------------------------------------|---------------------|---------------------------------------------------------------------------|--------|
| Touch Panel    | Scratch                                                                                                                               | L(mm)                                                                               | W(mm)               | Acceptable number                                                         | Note:2 |
|                |                                                                                                                                       | $L \leq 10$                                                                         | $W < 0.05$          | Disregard                                                                 |        |
|                |                                                                                                                                       |                                                                                     | $0.05 \leq W < 0.1$ | $N \leq 4$                                                                |        |
|                |                                                                                                                                       | $W \geq 0.1$                                                                        | 0                   |                                                                           |        |
|                | Foreign Materials<br>(Linear shape)                                                                                                   | $L \leq 10$                                                                         | $W < 0.05$          | Disregard                                                                 | Note:2 |
|                |                                                                                                                                       |                                                                                     | $0.05 \leq W < 0.1$ | $N \leq 3$                                                                |        |
|                |                                                                                                                                       |                                                                                     | $W \geq 0.1$        | 0                                                                         |        |
|                | Foreign Materials<br>(Circular shape)                                                                                                 | Dimension(mm)                                                                       |                     | Acceptable number                                                         | Note:3 |
|                |                                                                                                                                       | $D \leq 0.25$                                                                       |                     | Disregard                                                                 |        |
|                |                                                                                                                                       | $0.25 < D \leq 0.5$                                                                 |                     | $N \leq 6$                                                                |        |
|                | $D > 0.5$                                                                                                                             |                                                                                     | 0                   |                                                                           |        |
| Glass chipping |                                                    |                                                                                     |                     | $a \leq 5\text{mm}$<br>$b \leq 3\text{mm}$<br>$c \leq t$ (t: Glass think) | Note:7 |
|                |                                                    |                                                                                     |                     | $a \leq 3\text{mm}$<br>$b \leq 3\text{mm}$<br>$c \leq t$ (t: Glass think) | Note:7 |
| Newton-ring    | (In case of doubtful situations)<br>Observe on $60^\circ$ from the product surface under a while Fluorescent lamp(3-wavelength lamp). |  |                     | Average diameter $\leq 1/3$ Touch Panel area Disregard.                   | Note:7 |



Note1. The definition of dot defect : The dot defect was judged after repair and the size of a defective dot over 1/2 of whole dot is regarded as one defective dot.

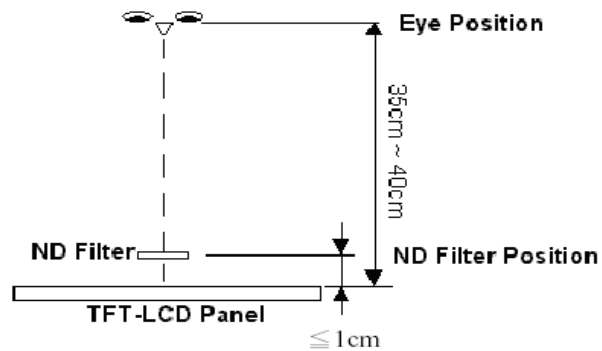
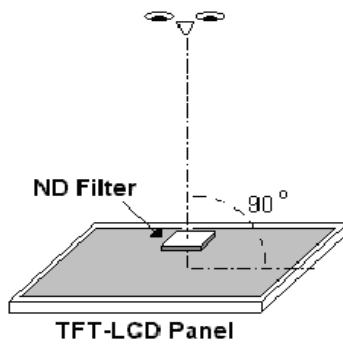
Note2.



Note3. D : Diameter  $D=(a+b)/2$



Note4. Bright dot is defined through 6% transmission ND Filter as following.

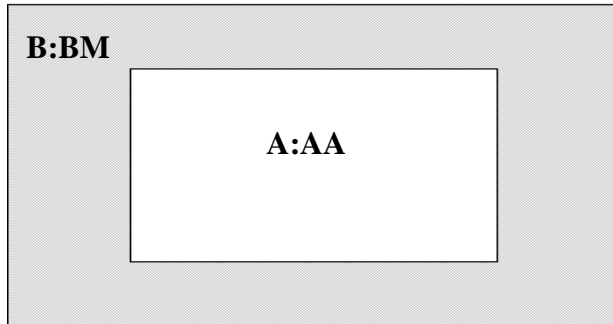


Note5. ADJACENT DOT

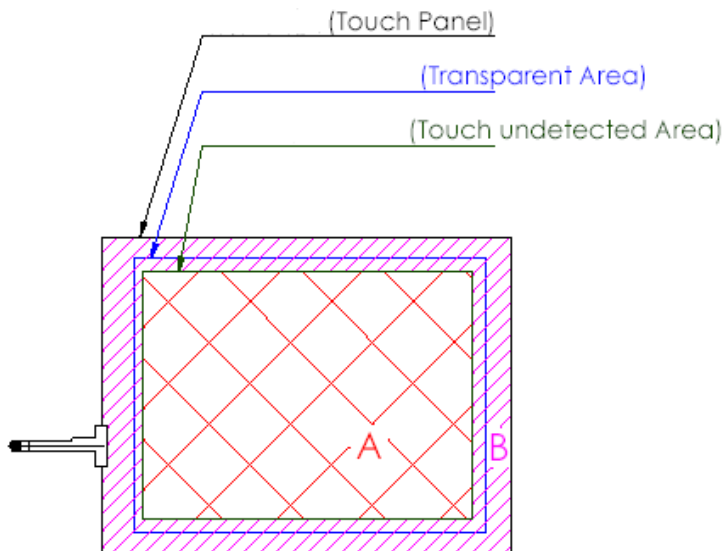




Note6.



Note7.



A area : Without any defect point effect on normal operation.

B area : None-specify



**P-TEC**

**MODEL NO.**

**PAGE**

PT322457A-TLMWU-EH26

SPEC SAMPLE

28

## **18.4 Handling of LCM**

- (1) Don't give external shock.
- (2) Don't apply excessive force on the surface.
- (3) Liquid in LCD is hazardous substance. Must not lick and swallow. when the liquid is attach to your hand, skin, cloth etc. Wash it out thoroughly and immediately.
- (4) Don't operate it above the absolute maximum rating.
- (5) Don't disassemble the LCM.