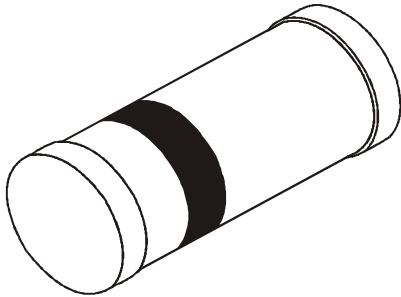


**SMALL SIGNAL SCHOTTKY DIODES**

**LL101A, LL101B  
LL101C**

**SOD - 80C  
Mini MELF (LL- 34)**



For General Purpose Applications

**ABSOLUTE MAXIMUM RATINGS**

DESCRIPTION	SYMBOL	LL101A	LL101B	LL101C	UNIT
Peak Reverse Voltage	$V_{RRM}$	60	50	40	V
Power Dissipation (Infinite Heat Sink)	$*P_D$	400			mW
Maximum Single Cycle Surge 10ms Square Wave	$I_{FSM}$	2.0			A
Junction Temperature	$T_j$	125			°C
Storage Temperature Range	$T_{stg}$	- 55 to +150			°C

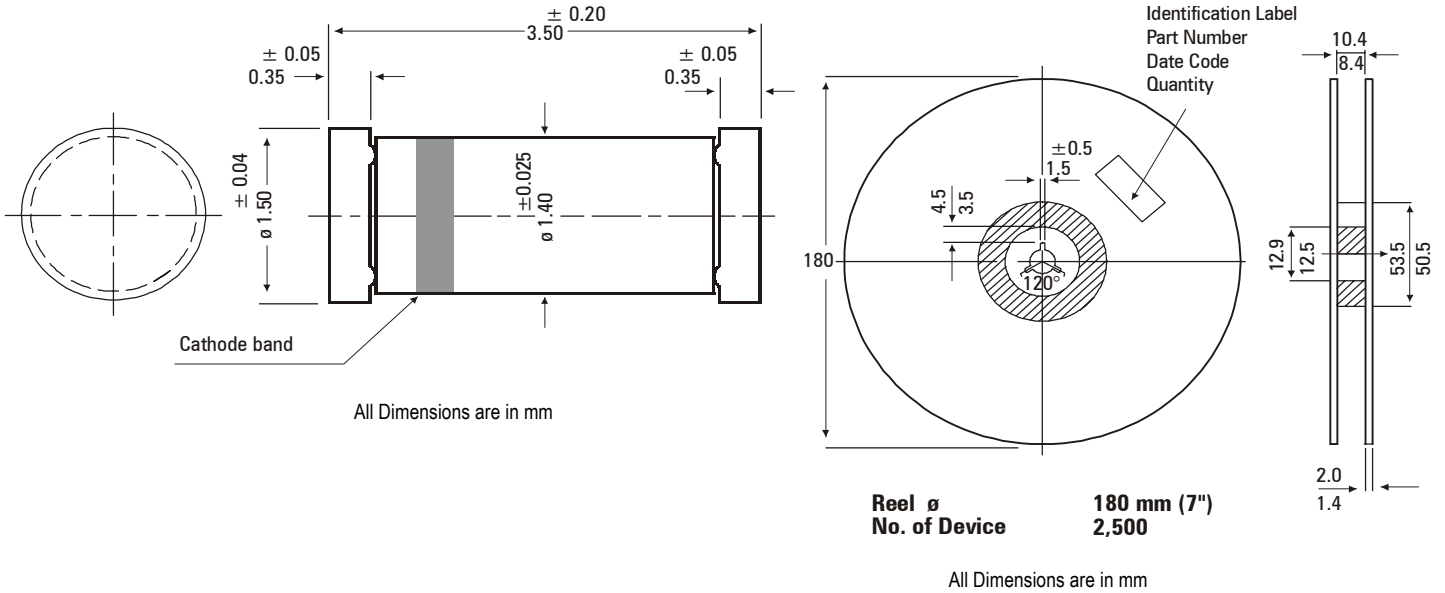
\*Valid Provided that Electrodes are Kept at Ambient Temperature

**ELECTRICAL CHARACTERISTICS (Rating @  $T_a=25^\circ\text{C}$  unless otherwise specified)**

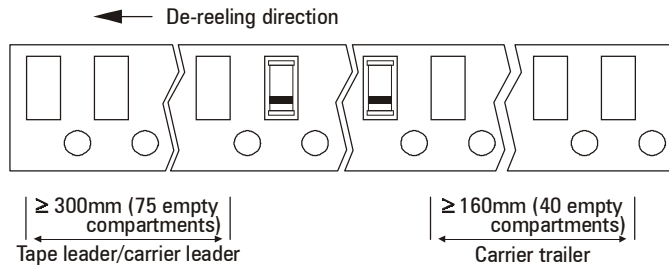
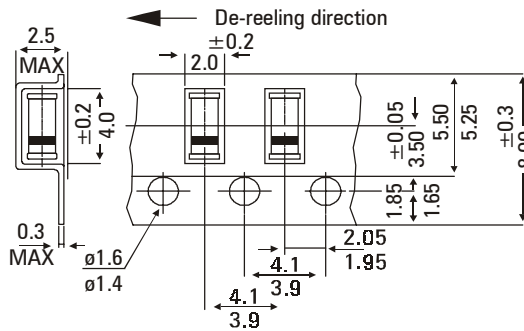
DESCRIPTION	SYMBOL	TEST CONDITION	MIN	MAX	UNIT
Reverse Breakdown Voltage	$V_{RRM}$	$I_R=10\mu\text{A}$ LL101A	60		V
		LL101B	50		V
		LL101C	40		V
Leakage Current	$I_R$	$V_R=50\text{V}$ LL101A		200	nA
		$V_R=40\text{V}$ LL101B		200	nA
		$V_R=30\text{V}$ LL101C		200	nA
Forward Voltage	$V_F$	$V_F=1\text{mA}$	LL101A	0.41	V
			LL101B	0.40	V
			LL101C	0.39	V
Forward Voltage		$V_F=15\text{mA}$	LL101A	1.0	V
			LL101B	0.95	V
			LL101C	0.90	V
Junction Capacitance	$C_j$	$V_R=0\text{V}, f=1\text{MHz}$	LL101A	2.0	pF
			LL101B	2.1	pF
			LL101C	2.2	pF
Reverse Recovery Time	$t_{rr}$	$I_F=10\text{mA}$ , to $I_R=5\text{mA}$ , Recover to $0.1 I_R$		1.0	ns

LL101A\_LL101CRev290305E

**SOD 80C (LL-34) Mini MELF Hermetically Sealed Glass Package**



**TAPE & REEL**



All Dimensions are in mm

Drawings are not to scale

**Packing Detail**

PACKAGE	STANDARD PACK		INNER CARTON BOX		OUTER CARTON BOX		
	Details	Net Weight/Qty	Size	Qty	Size	Qty	Gr Wt
SOD-80C T&R	2.5K/reel	225 gm/2.5K pcs	9" x 9" x 9"	40K	18" x 12" x 10" 19" x 19" x 20"	80K 320K	7.2 kgs 28.8 kgs

### **Component Disposal Instructions**

1. CDIL Semiconductor Devices are RoHS compliant, customers are requested to please dispose as per prevailing Environmental Legislation of their Country.
2. In Europe, please dispose as per EU Directive 2002/96/EC on Waste Electrical and Electronic Equipment (WEEE).

### **Customer Notes**

### **Disclaimer**

The product information and the selection guides facilitate selection of the CDIL's Semiconductor Device(s) best suited for application in your product(s) as per your requirement. It is recommended that you completely review our Data Sheet(s) so as to confirm that the Device(s) meet functionality parameters for your application. The information furnished in the Data Sheet and on the CDIL Web Site/CD are believed to be accurate and reliable. CDIL however, does not assume responsibility for inaccuracies or incomplete information. Furthermore, CDIL does not assume liability whatsoever, arising out of the application or use of any CDIL product; neither does it convey any license under its patent rights nor rights of others. These products are not designed for use in life saving/support appliances or systems. CDIL customers selling these products (either as individual Discrete Semiconductor Devices or incorporated in their end products), in any life saving/support appliances or systems or applications do so at their own risk and CDIL will not be responsible for any damages resulting from such sale(s).

CDIL strives for continuous improvement and reserves the right to change the specifications of its products without prior notice.



CDIL is a registered Trademark of  
**Continental Device India Limited**

C-120 Naraina Industrial Area, New Delhi 110 028, India.

Telephone + 91-11-2579 6150, 4141 1112 Fax + 91-11-2579 5290, 4141 1119

email@cdil.com www.cdilsemi.com