

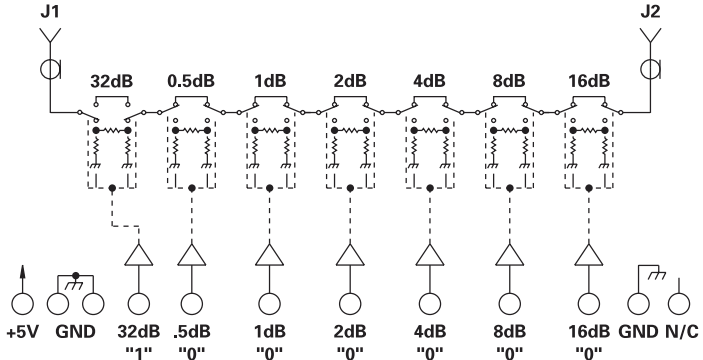
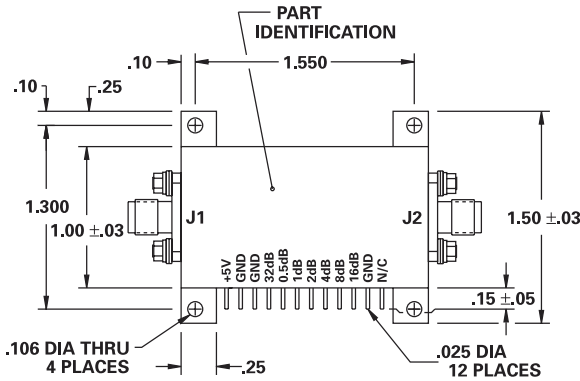
MODEL NUMBER DAT76287

Attenuator 7 Section

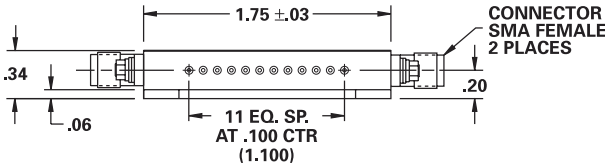
FEATURES

- 200 - 1000 MHz
- 5 dB Insertion Loss
- SMA Female Connectors
- 0.5 dB LSB

7 BIT



N/C = No Internal Connection



.xx = .02
.xxx = .010

GUARANTEED PERFORMANCE

Parameter	Min	Typ	Max	Units	Conditions
Operating Frequency	200		1000	MHz	
DC Current		10	15	mA	At +5 VDC Supply
Control Type		TTL			7 Line Logic "1" = Attenuation
Control Current	High		±10	µA	VIH = +2.7 V
	Low		±10	µA	VIL = +0.5 V
Insertion Loss		5.2	8	dB	
Attenuation	LSB Range Accuracy	0.5	63.5	dB	0.5, 1, 2, 4, 8, 16, 32 dB ±(0.25dB +2% of Attenuation Setting in dB)
VSWR		1.2/1	1.6/1		
Impedance		50		OHMS	
Switching Speed		1.1	1.5	µSec	50% TTL to 90% / 10% RF
Transition (Rise/Fall) Time		0.8		µSec	10% / 90% or 90% / 10% RF
Switching (Video) Transients		85		mV	Peak Value
Intercept Points	2nd	+68		dBm	1000 MHz / 800 MHz
	3rd	+29		dBm	850 MHz / 900 MHz
RF Power	Operate No Damage	+11	+10	dBm	0.1 dB Compression
			+20	dBm	
Operating Temperature	-55	+25	+125	°C	TA

TYPICAL PERFORMANCE at 25°C

