

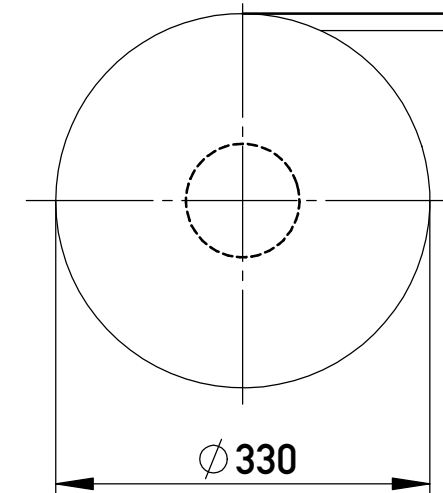
Verpackt im Gurt nach DIN IEC 60286-3
 Tape on Reel Packaging according to DIN IEC 60286-3
 Verpackungseinheit: 280 Stück
 Packaging unit: 280 pcs

Anforderungsstufe 1
 Performance Level 1

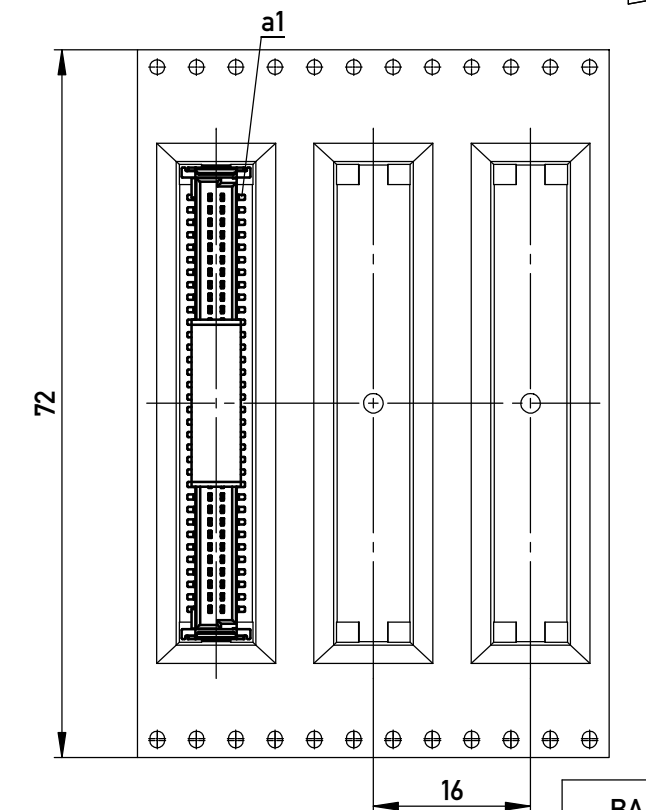
Kontaktbereich vergoldet
 Mating Area gold plating

Anschlussbereich verzinkt 4-6 µm
 Terminal Area 4-6 µm tin plating

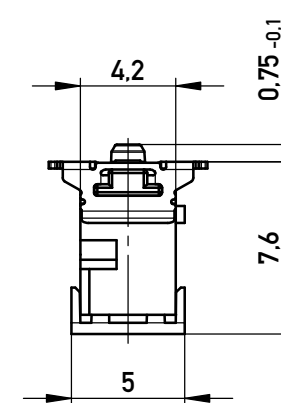
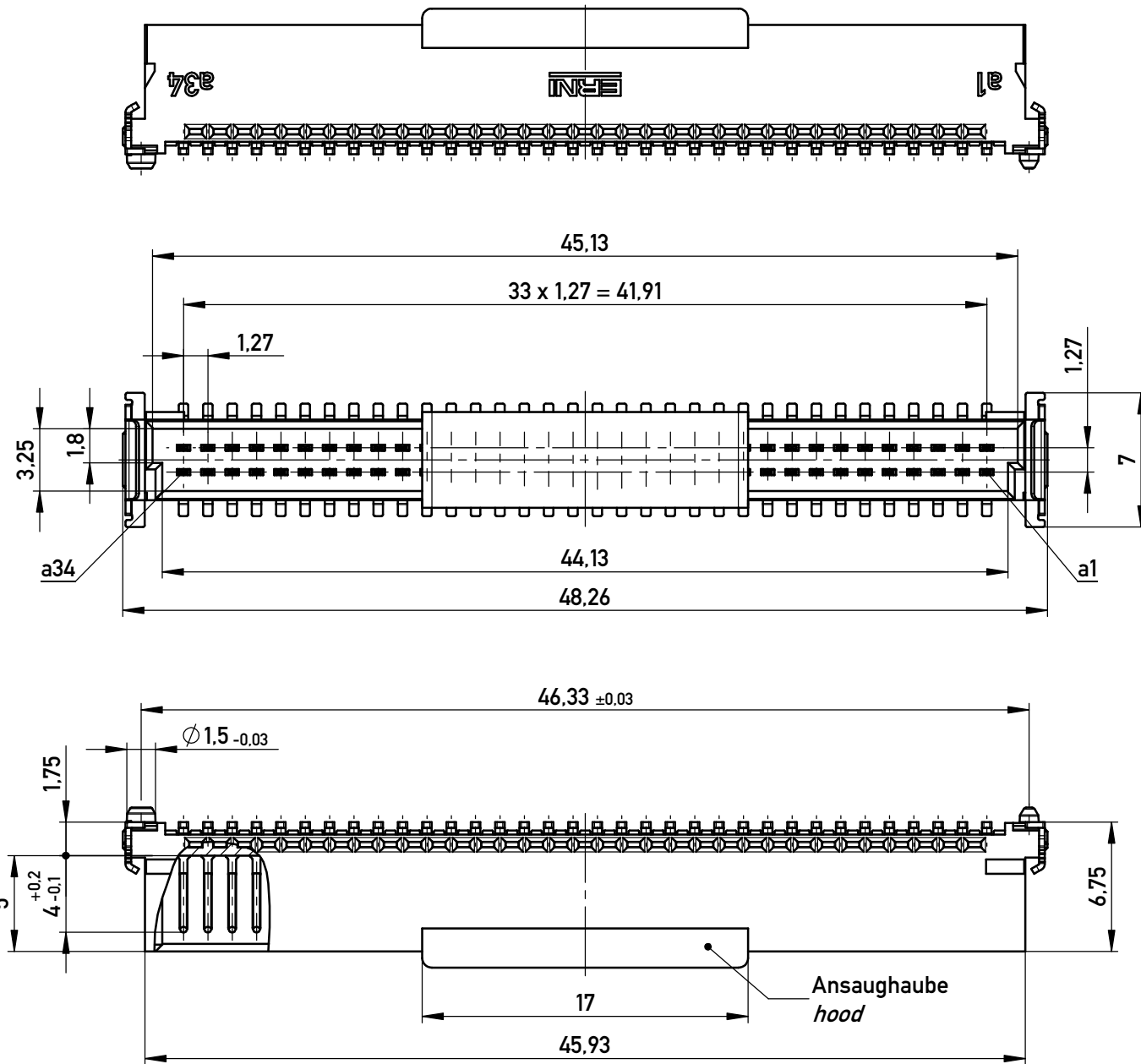
Koplanarität der Anschlüsse ≤ 0,1 mm
 Coplanarity Area of Termination ≤ 0,1 mm



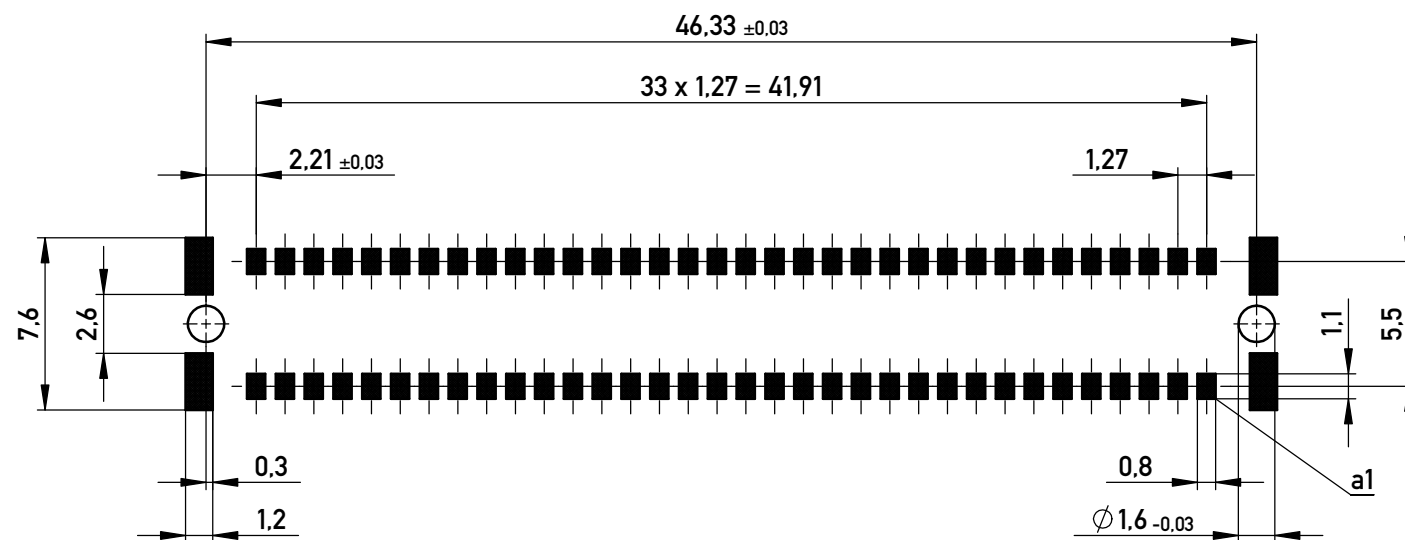
Abspulrichtung - Reel off Direction



BA 8-13 - 8mm Bauhöhe
 type 8-13 - Low Profile



Leiterplatten-Layout Vorschlag für SMT
 PCB-Layout Proposal for SMT



Information: All rights reserved. Only for Information. To ensure that this is the latest version of this drawing, please contact one of the ERNI companies before using.	Tolerances	 All Dimensions in mm	Scale	3:1
	Subject to modification without prior notice. Drawing will not be updated.		Designation Messerl. SMC-Q 68-SMD-BA8-13 <i>Male SMC-Q 68-SMD-type8-13</i>	
www.ERNI.com		100303210072		K
e	30.06.2015	Class		SMCQ
Index	Date			A3

Copyright by ERNI GmbH
 Proprietary notice pursuant to ISO 16016 to be observed.