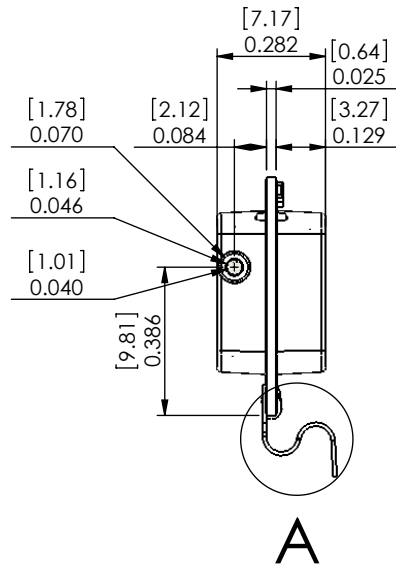
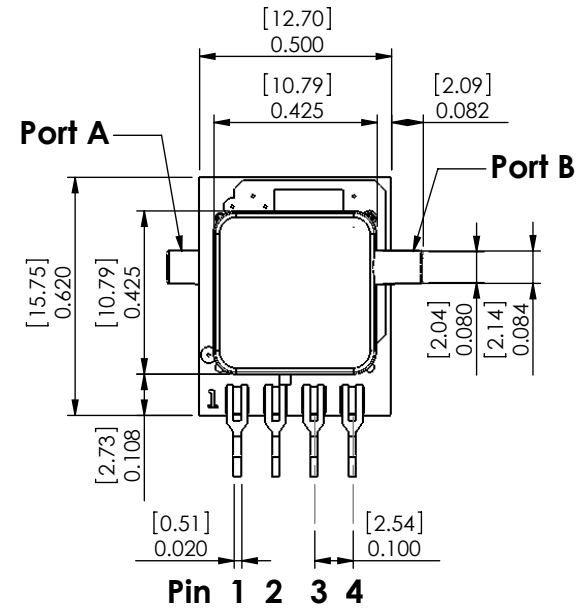


DETAIL A
SCALE 4:1



A



Pin 1 2 3 4

NOTES

- 1) Dimensions are in inches [mm].
- 2) For suggested pad layout, see drawing: PAD-02

PROPRIETARY AND CONFIDENTIAL THE INFORMATION CONTAINED IN THIS DRAWING IS THE SOLE PROPERTY OF ALL SENSORS CORPORATION. ANY REPRODUCTION IN PART OR AS A WHOLE WITHOUT THE WRITTEN PERMISSION OF ALL SENSORS CORPORATION IS PROHIBITED.				<h1 style="color: red;">All Sensors</h1>	
UNLESS OTHERWISE SPECIFIED:		NAME	DATE	TITLE:	
DIMENSIONS ARE IN INCHES TOLERANCES: FRACTIONAL ± ANGULAR: MACH ± BEND ± TWO PLACE DECIMAL ± THREE PLACE DECIMAL ±		DRAWN	E. DEJARNETTE 07/15/09	P2NQ Package Dwg	
		CHECKED		SIZE	FILE NAME
		ENG APPR.		A	P2NQ Package Rev B
		MFG APPR.		SCALE: 5:1	SHEET 1 OF 1
DO NOT SCALE DRAWING		Q.A.			