

1N6461 - 1N6476

FEATURES

- HIGH SURGE CAPACITY PROVIDES TRANSIENT PROTECTION FOR MOST CRITICAL CIRCUITS.
- TRIPLE LAYER PASSIVATION.
- SUBMINIATURE.
- METALLURGICALLY BONDED.
- VOIDLESS HERMETICALLY SEALED GLASS PACKAGE.
- DYNAMIC IMPEDANCE AND REVERSE LEAKAGE LOWEST AVAILABLE.

MAXIMUM RATINGS

Operating Temperature: -65°C to $+175^{\circ}\text{C}$.
Storage Temperature: -65°C to $+200^{\circ}\text{C}$.
Surge Power 500W & 1500W
Power @ $T_A = 25^{\circ}\text{C}$ (3%) 2.5W 500W Type
Power @ $T_L = 50^{\circ}\text{C}$ (3%) 5.0W 1500W Type

ELECTRICAL CHARACTERISTICS

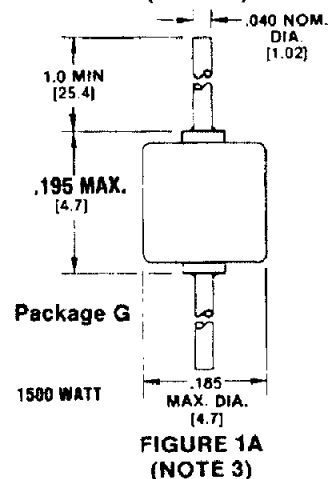
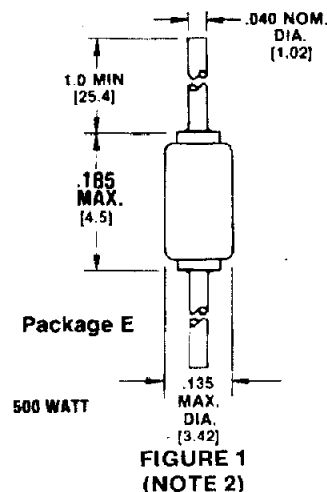
SERIES TYPE		BREAK DOWN VOLTAGE $V_{(BR)}$ MIN.	TEST CURRENT I_T		WORKING PEAK VOLTAGE V_{WM}	MAX LEAKAGE CURRENT I_0		MAX CLAMPING VOLTAGE V_C	MAX PEAK PULSE CURRENT $I_{(PP)}$		MAX. TEMP. COEF. OF $V_{(BR)}$
500W	1500W	Vdc	mA dc		Vdc	$\mu\text{A dc}$	$\mu\text{A dc}$	V(pk)	A(pk)	A(pk)	%/ $^{\circ}\text{C}$
1N6461	1N6469	5.6	25	50	5	3000	5000	9.0	56	167	0.04
1N6462	1N6470	6.5	20	50	6	2500	5000	11.0	46	137	0.04
1N6463	1N6471	13.0	5	10	12	500	1000	22.6	22	66	0.05
1N6464	1N6472	16.4	5	10	15	500	1000	26.5	19	57	0.06
1N6465	1N6473	27.0	2	5	24	50	100	41.4	12	36.5	.084
1N6466	1N6474	33.0	1	1	30.5	3	5	47.5	11	32	.093
1N6467	1N6475	43.7	1	1	40.3	2	5	63.5	8	24	.094
1N6468	1N6476	54.0	1	1	51.6	2	5	78.5	6	19	.096
NOTES		1	2	3	1	2	3	1	2	3	1

NOTE 1: Applies to both 500W and 1500W series.

NOTE 2: Applies to only 500W series.

NOTE 3: Applies to only 1500W series.

TRANSIENT SUPPRESSORS



MECHANICAL CHARACTERISTICS

CASE: Hermetically sealed glass case.

LEAD MATERIAL: Tinned copper or silver clad copper.

MARKING: Body painted, alpha numeric.

POLARITY: Cathode band.

NJ Semi-Conductors reserves the right to change test conditions, parameter limits and package dimensions without notice. Information furnished by NJ Semi-Conductors is believed to be both accurate and reliable at the time of going to press. However NJ Semi-Conductors assumes no responsibility for any errors or omissions discovered in its use. NJ Semi-Conductors encourages customers to verify that datasheet are current before placing orders.

Quality Semi-Conductors