

6

5

4

3

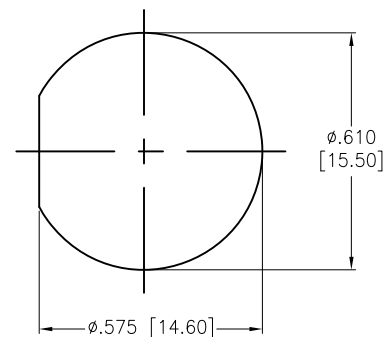
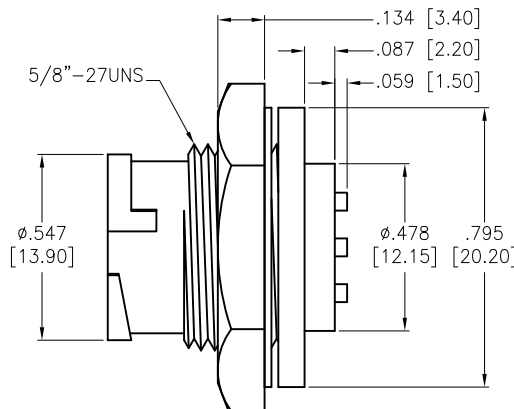
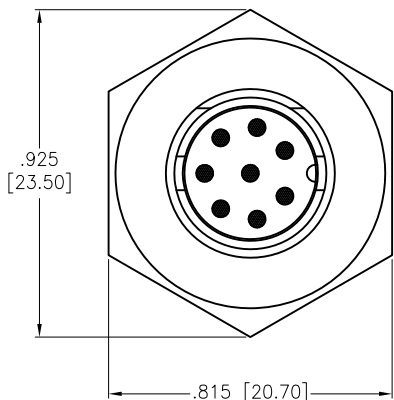
2

1

APPROVED: _____

DATE: _____ TITLE: _____

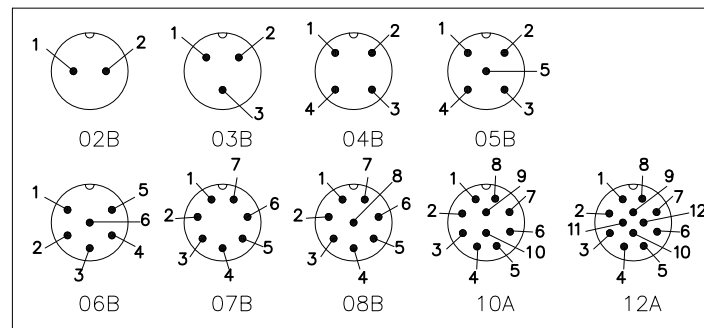
Rev	AWO #	Description	Date	Appr
-		RELEASED	6/1/16	



RECOMMENDED PANEL CUT

GASKET	EPDM	
HEX NUT	NYLON+GF	
CONTACT	BRASS, MALE PIN, GOLD FLASH	
CONNECTOR	N PIN MALE CONNECTOR, NYLON+GF	BLACK
PART NAME	DESCRIPTION	COLOR

PART NO.	IP RATING
SD-CBXX-MMBPH-S6000	IP66
SD-CBXX-MMBPH-S7000	IP67
SD-CBXX-MMBPH-S8000	IP68



SPECIFICATIONS:

Electrical:
 Current rating: XXA=2A, XXB=5A
 Dielectric withstanding voltage: 500 VAC for 1 minute
 Temperature Rating:
 Operating temperature: -40°C to +105°C
 Environmental:
 Lead free, RoHS compliant.



UNLESS OTHERWISE SPECIFIED
 ALL DIMENSIONS ARE INCHES [MM]
 TOLERANCES: EXCEPT AS NOTED

.X ± .10	∅X ± .10
.XX ± .020	∅XX ± .015
.XXX ± .015	∅XXX ± .010

APPROVALS		DATE
DRAWN	HR	6/1/16
CHECKED	CK	6/1/16
APPROVED		

ADAM TECH

909 Rahway Avenue, Union, NJ 07083
 Phone: 908-687-5000 Fax: 908-687-5710

TITLE WATERPROOF CONNECTOR, MALE, B-TYPE PANEL, LOCK TYPE, SOLDER TYPE		
SIZE X	PART NO. SD-CBXX-MMBPH-SX000	REV. -
REF: S00200T	SCALE: NTS	SHEET 1 OF 1

6

5

4

3

2

1