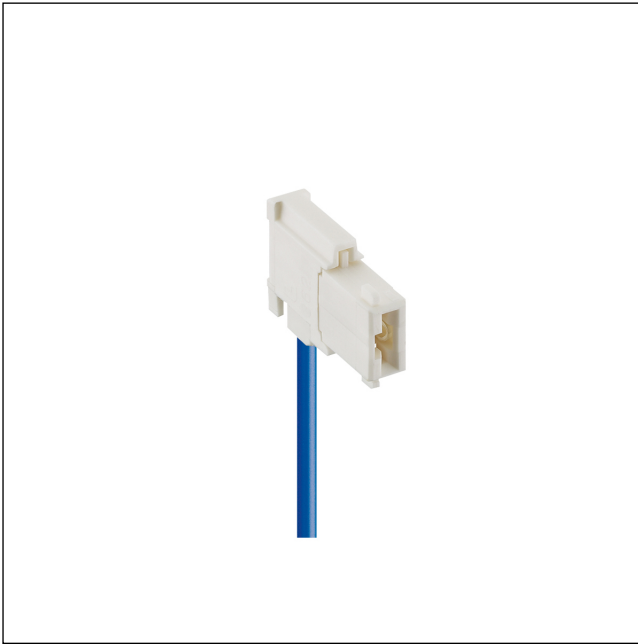


36

3623 01 V01

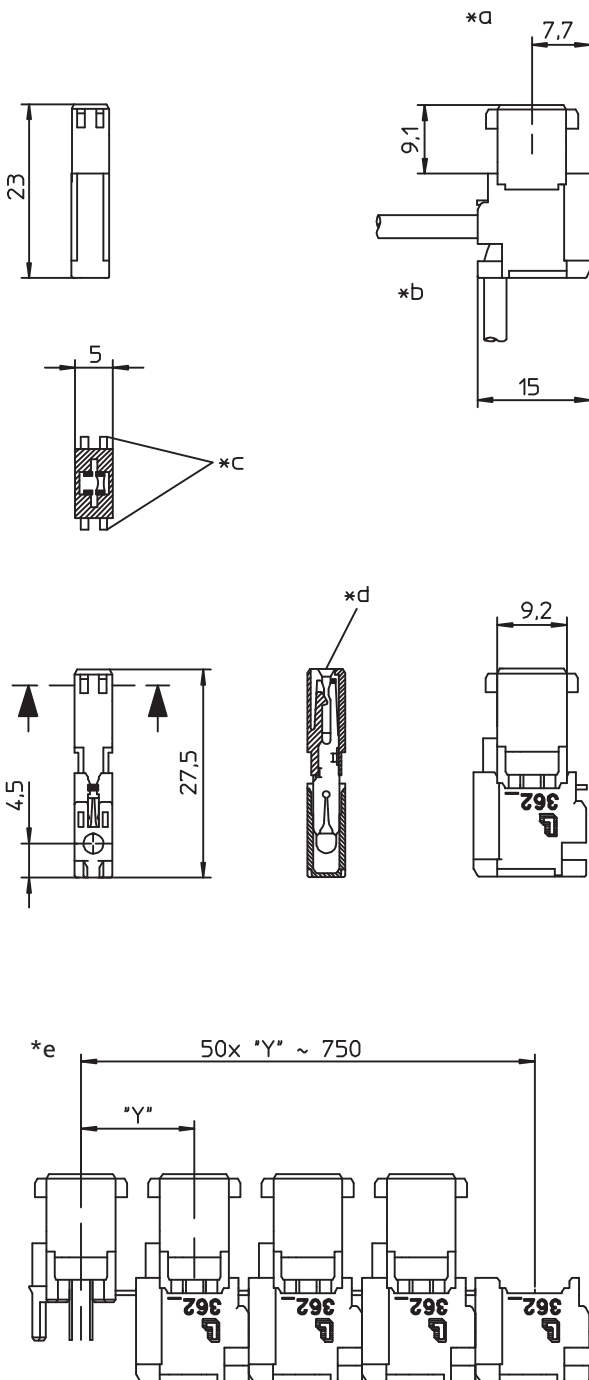
RAST 5 connectors, pitch 5.0 mm



RAST 5 connector for indirect mating, insulation displacement technology (IDT), with locking on tab, consecutive placement without loss of pitch

36

3623 01 V01



### Environmental conditions

Temperature range	-40 °C/+110 °C – 3623 01 V01 -40 °C/+130 °C – 3623 01 M08V01 -40 °C/+130 °C – 3623 01 M20V01 <sup>1</sup>
-------------------	---

<sup>1</sup> upper limit temperature (insulating body) RTI (electrical) of the UL Yellow Card

### Materials

Insulating body	PA, V-2 according to UL94 – 3623 01 (V01) PA, V-2 according to UL94 – 3623 01 M08(V01) PA, V-0 according to UL94 – 3623 01 M20(V01) <sup>1</sup>
Contact spring	CuSn, silver-plated

<sup>1</sup> M08: component glow wire resistant (GWT 750 °C), testing acc. to IEC 60695-2-11, assessment acc. to IEC 60335-1 (flame < 2 s)


M20: material halogen-free, GWFI 960 °C (0.75 mm), GWIT 775 °C (0.75 mm)

### Mechanical data

Insertion force	≤ 4,0 N <sup>1</sup>
Withdrawal force	≥ 1,0 N <sup>1</sup>
Keying proposals	at <a href="http://www.lumberg.com">www.lumberg.com</a> 

<sup>1</sup> measured with a polished flat steel pin, nominal thickness 0.8 mm

### Connectable conductors for IDT area

Construction	discrete conductor, notched flat cable 5.0 mm
Section min.	0,22 mm <sup>2</sup>
Section max.	1,0 mm <sup>2</sup>
Insulation diameter	≤ 2,5 mm
Approved cables	at <a href="http://www.lumberg.com">www.lumberg.com</a> 

### Electrical data (at T<sub>amb</sub> 20 °C)

Contact resistance	≤ 5 mΩ
Rated current	10 A (0,75 mm <sup>2</sup> , T <sub>sub&gt;U&lt;/sub&gt; &lt;/sub&gt; &gt; 70 °C)</sub>
Rated voltage	250 V AC
Material group	I (IEC)/0 (UL) (CTI ≥ 600) – 3623 01 (V01) IIIa (IEC)/2 (UL) (CTI ≥ 250) – 3623 01 M08(V01) I (IEC)/2 (UL) (CTI ≥ 600) – 3623 01 M20(V01)
Insulation resistance	> 10 GΩ

- \*a terminated connector
- \*b cable departure 90° or 180°
- \*c keying/positioning
- \*d locking on contact tab
- \*e chaining of the component parts (state of delivery)

**Associated products**

Counterparts

<a href="#">☞ 3618</a>	<a href="#">☞ 3618-1</a>	<a href="#">☞ 3618-2</a>
<a href="#">☞ 3618-3</a>	<a href="#">☞ 3641</a>	<a href="#">☞ 364197</a>
<a href="#">☞ 3642</a>	<a href="#">☞ 364299</a>	<a href="#">☞ 3643</a>
<a href="#">☞ 364399</a>	<a href="#">☞ 3644</a>	<a href="#">☞ 364499</a>
<a href="#">☞ 3645</a>	<a href="#">☞ 364599</a>	<a href="#">☞ 3647</a>
<a href="#">☞ 3648</a>	<a href="#">☞ 3671</a>	<a href="#">☞ 3672</a>
<a href="#">☞ 3673</a>	<a href="#">☞ 3674</a>	<a href="#">☞ 3676</a>
<a href="#">☞ 3677</a>	<a href="#">☞ 3678</a>	<a href="#">☞ 3679</a>
<a href="#">☞ 3680</a>	<a href="#">☞ 3683</a>	

Harnessing equipment

<a href="#">☞ HA3...e</a>	<a href="#">☞ HA36e</a>	<a href="#">☞ HA36e-CA</a>
<a href="#">☞ HZ-M36</a>	<a href="#">☞ HZ36-K</a>	<a href="#">☞ KHP36</a>
<a href="#">☞ VARICON 7000</a>	<a href="#">☞ VARICON 7000-RD</a>	

36

3623 01 V01

Designation	Pole Number	PU (Pieces)	MDQ (Pieces)
3623 01 V01	1	7200	7200

Designation to be completed by further details (e.g. for keying, color or material options).

**Packaging:**

chained, in a cardboard box