



I2D-601C

midiCam

2D VISION

SICK
Sensor Intelligence.



Ordering information

Type	Part no.
I2D-601C	6060400

Other models and accessories → www.sick.com/midiCam



Detailed technical data

Features

Sensor	CMOS Color
Sensor used	e2V EV76C560ACT
Shutter technology	Global-Shutter Rolling-Shutter Global-Start-Shutter
Further functions	Scaler, Sequenzer, log mode, Hot pixel correction on the sensor, Fine illumination grid, Multi area of interest, Binning
Lens	C-mount
Optical format	1/1.8"

Performance

Bit depth	12 bit
Sensor resolution	1,280 px x 1,024 px (1.31 Mpixel, 5:4, SXGA)
Sensor size	6.784 mm x 5.427 mm
Scan/frame rate	50 fps, in freerun mode 48 fps, in trigger mode
Memory	60 MB
Exposure time	0.009 ms ... 2,000 ms
Pixel size	5.3 μm

Interfaces

Ethernet	✓, UDP/IP
Data transmission rate	1,000 Mbit/s
Configuration software	I2D Software Suite

Mechanics/electronics

Connections	M12, 8-pin male connector, A-coded (2 GPIOs, 1 digital input, 1 digital output)
Supply voltage	12 V ... 24 V ¹⁾
Power consumption	≤ 2.9 W
Enclosure rating	IP65 IP67

¹⁾ Or PoE.

Weight	175 g
Dimensions (L x W x H)	44.7 mm x 53 mm x 41 mm

¹⁾ Or PoE.

Ambient data

Shock load	80 g, EN 60068-2-27 (1995-03), EN 60068-2-29 (1995-03)
Vibration load	10 g, 30 Hz ... 500 Hz, EN 60068-2-6 (1996-05)
Ambient operating temperature	0 °C ... +40 °C ¹⁾
Ambient storage temperature	-20 °C ... +60 °C ¹⁾

¹⁾ Relative humidity: 0% ... 100%.

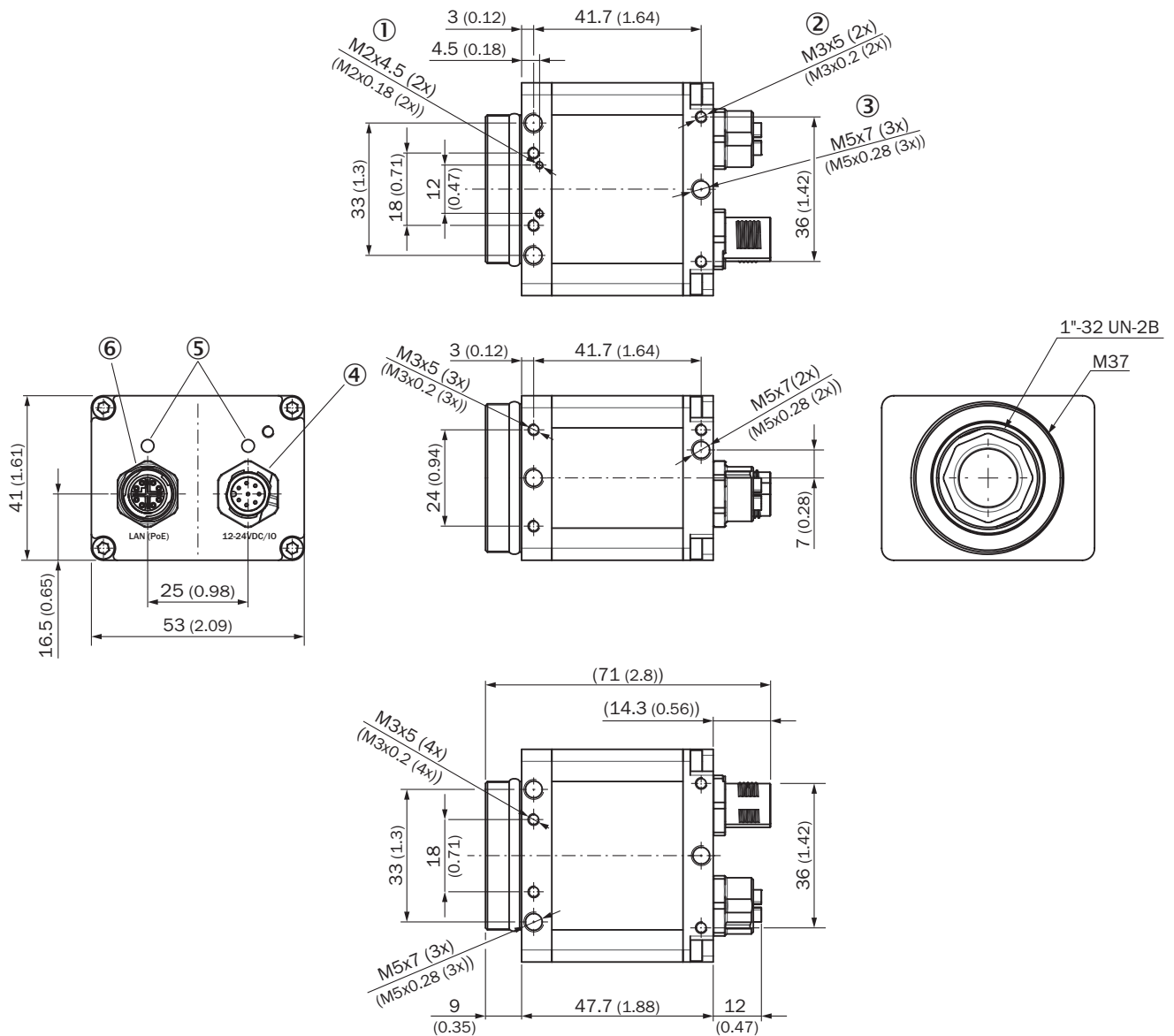
General notes

Note	Not free of paint wetting impairment substances.
-------------	--

Classifications

ECl@ss 5.0	27310205
ECl@ss 5.1.4	27310205
ECl@ss 6.0	27310205
ECl@ss 6.2	27310205
ECl@ss 7.0	27310205
ECl@ss 8.0	27310205
ECl@ss 8.1	27310205
ECl@ss 9.0	27310205
ETIM 5.0	EC001820
ETIM 6.0	EC001820
UNSPSC 16.0901	43211731

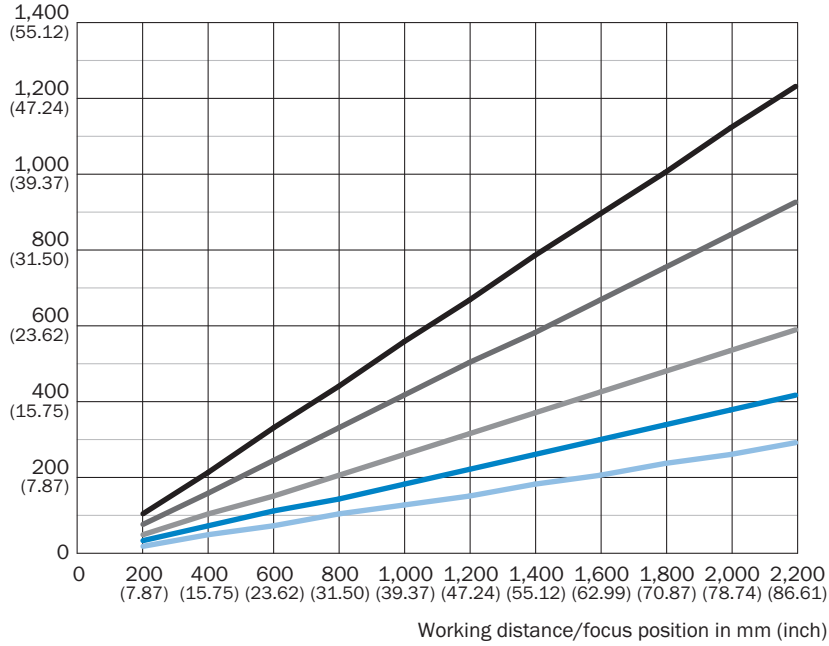
Dimensional drawing (Dimensions in mm (inch))



- ① Blind hole thread M2, 4.5 mm deep (2 x)
- ② Blind hole thread M3, 5 mm deep (14 x), for mounting
- ③ M6 blind tapped holes, 7 mm deep (10 x), for mounting
- ④ I/O power connection, male connector, M12, 8-pin, A-kodiert, Binder
- ⑤ LED for status display (2 x)
- ⑥ M12, 8-pin female connector, X-coded (Gigabit Ethernet)

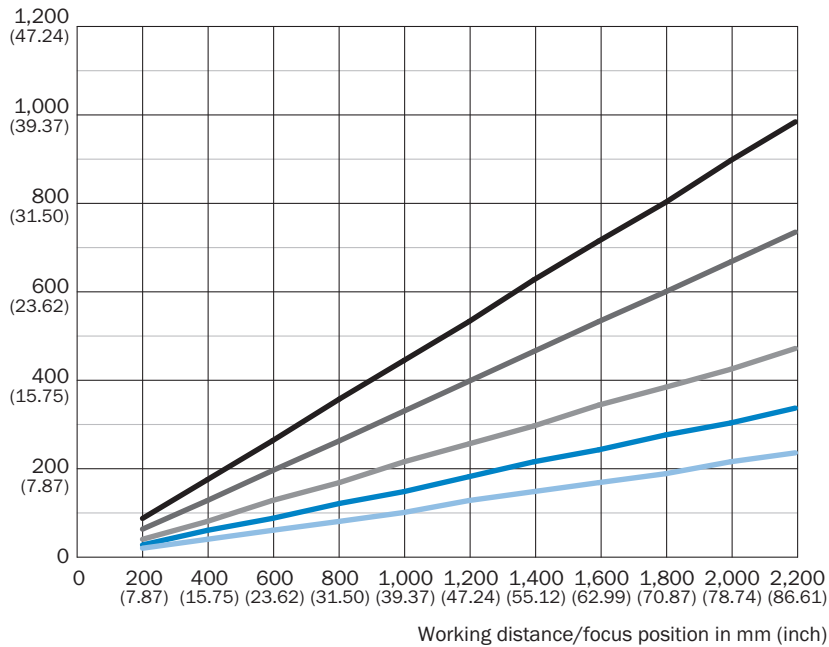
Field of view

Field of view x in mm (inch)



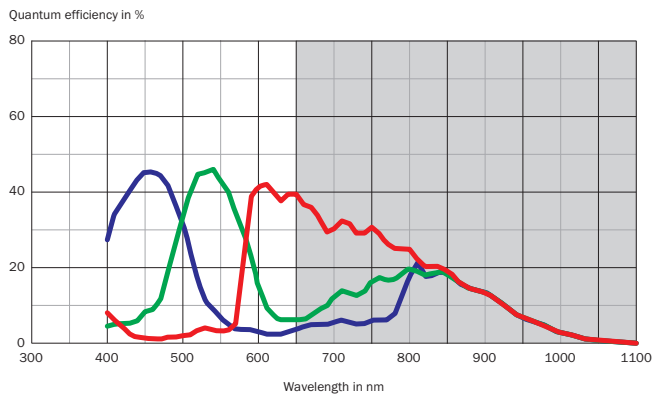
- f = 12 mm
- f = 16 mm
- f = 25 mm
- f = 35 mm
- f = 50 mm

Field of view y in mm (inch)





- f = 12 mm
- f = 16 mm
- f = 25 mm
- f = 35 mm
- f = 50 mm

Spectral range



Recommended accessories

Other models and accessories → www.sick.com/midiCam

	Brief description	Type	Part no.
Plug connectors and cables			
	Head A: female connector, M12, 8-pin, straight, A-coded Head B: Flying leads Cable: Sensor/actuator cable, PVC, shielded, 2 m	YF2A28-020VA6XLEAX	2096243
	Head A: male connector, M12, 8-pin, straight, X-coded Head B: male connector, RJ45, 8-pin, straight Cable: Gigabit Ethernet, twisted pair, PUR, halogen-free, shielded, 2 m	SSL-2J08-G02MACE	6049728

SICK AT A GLANCE

SICK is one of the leading manufacturers of intelligent sensors and sensor solutions for industrial applications. A unique range of products and services creates the perfect basis for controlling processes securely and efficiently, protecting individuals from accidents and preventing damage to the environment.

We have extensive experience in a wide range of industries and understand their processes and requirements. With intelligent sensors, we can deliver exactly what our customers need. In application centers in Europe, Asia and North America, system solutions are tested and optimized in accordance with customer specifications. All this makes us a reliable supplier and development partner.

Comprehensive services complete our offering: SICK LifeTime Services provide support throughout the machine life cycle and ensure safety and productivity.

For us, that is “Sensor Intelligence.”

WORLDWIDE PRESENCE:

Contacts and other locations –www.sick.com