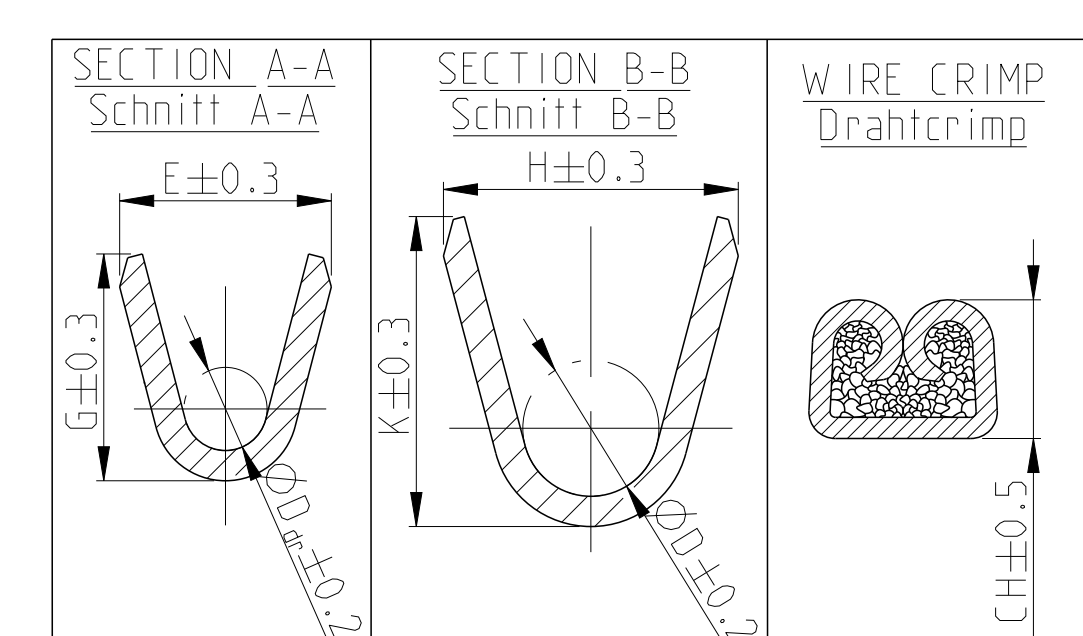
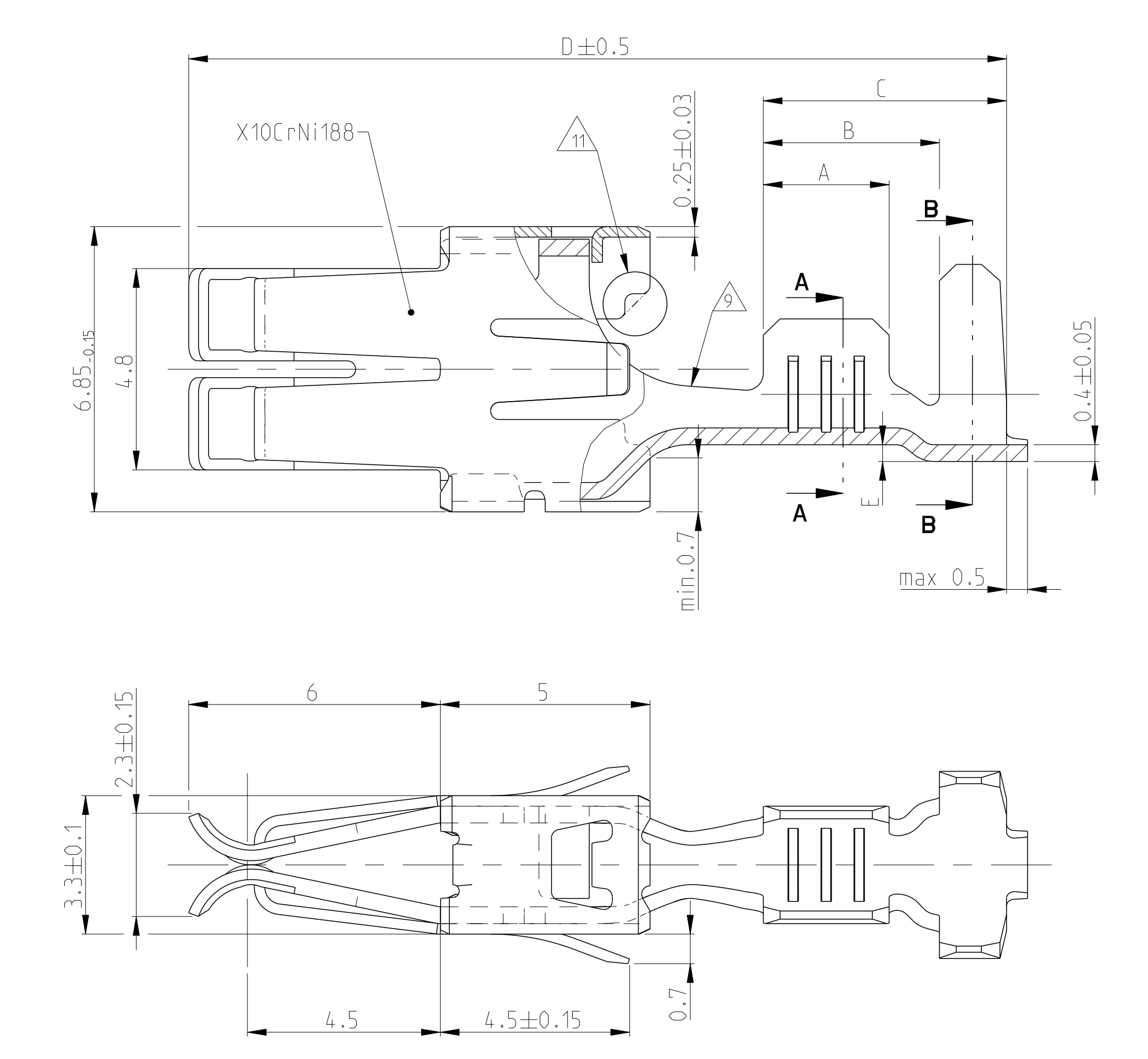


REV	DATE	DESCRIPTION	DATE	BY	APPD
B3	SEE ECR 12-016501		1989P012	JS	RS
B4	ECR-14-010155		19A03004	S.K	J.P
B5	ECR-15-012070		15A03005	J.B.H	B.K
B6	ECR-15-017291		000CC205	J.B.H	J.P



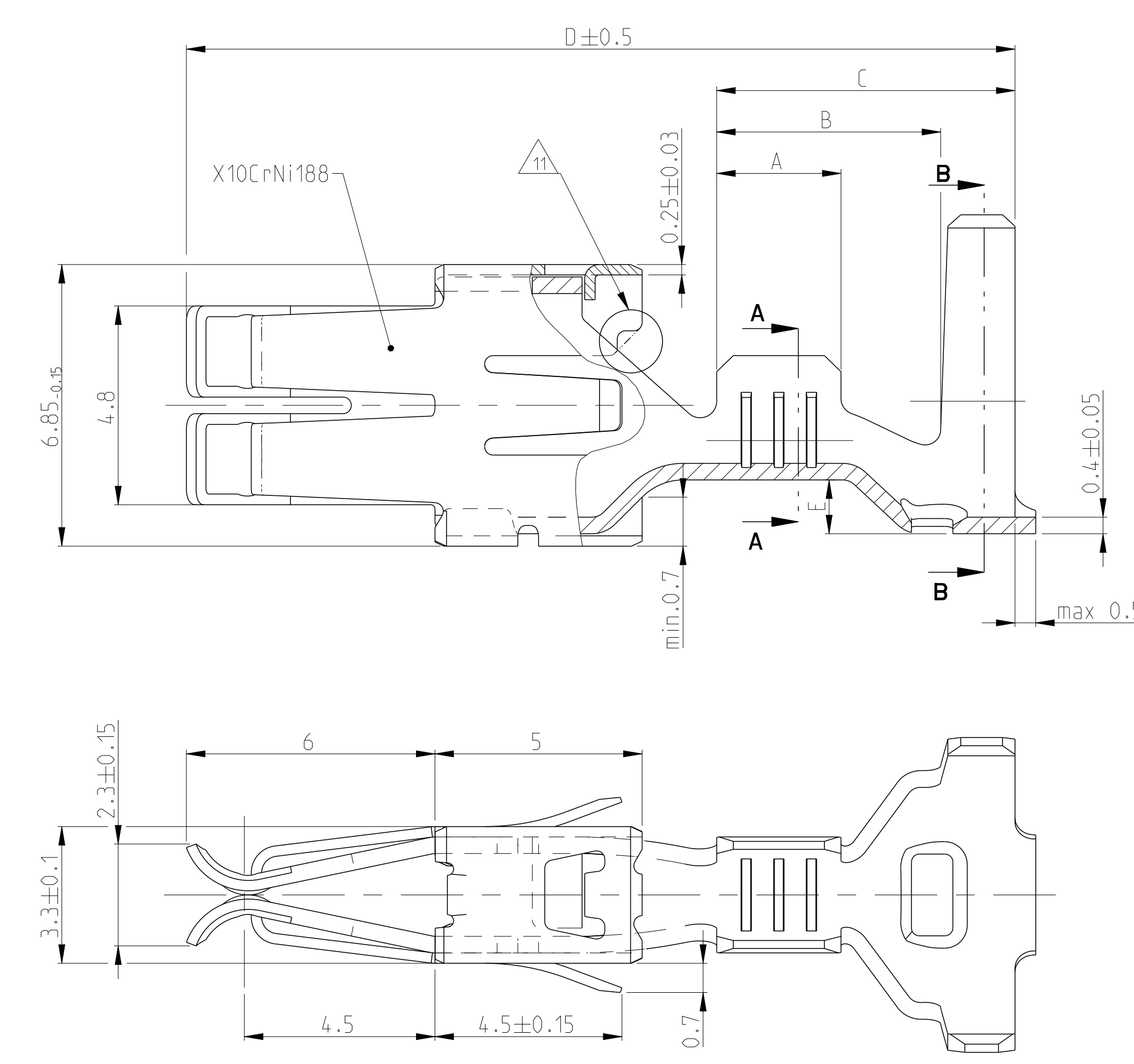
PN	REV	MATERIAL	SURFACE	PREP	FLK	E	G	D	H	K	WIRE CRIMP	MQC-Applicator	WITH DIE	A	B	C	D	E
927839-5		CuFe2	vorversilbert PRESILVERED	△	0.2 - 0.5	E = 2.2	G = 2.2	D = 0.8	H = 3.7	K = 3.8	0.20mm² = 1.13	MQC-Applicator	539635-1 WITH DIE: mit Matrize 539744-2	2.5	3.8	6.6	19.5	0.3
927839-4		CuSn4		△							0.25mm² = 1.15							
927839-3		CuSn4	vorverzinkt PRETINNED	△							0.35mm² = 1.19							
927839-2		CuSn4		△							0.50mm² = 1.26							
927839-1		CuFe2		△														
927827-2		CuSn4	vorverzinkt PRETINNED	△	0.5 - 1.0	E = 2.8	G = 4.1	D = 1.1	H = 4.5	K = 4.7	0.5mm² = 1.38	MQC-Applicator	539733-2 WITH DIE: mit Matrize 734249-0	3	4.2	5.8	19.5	0.4
927827-1		CuFe2		△							0.75mm² = 1.47							
927833-5		CuFe2		△	>1.0 - 2.5	E = 3.8	G = 4.1	D = 1.6	H = 5.7	K = 5.8	1.5mm² = 1.76	MQC-Applicator	539635-1 WITH DIE: mit Matrize 539733-2	3.5	4.7	6.3	19.5	0.4
927833-2		CuSn4	vorverzinkt PRETINNED	△							2.0mm² = 1.90							
927833-1		CuFe2		△							2.5mm² = 2.04							
927824-2		CuSn4	vorverzinkt PRETINNED	△	>2.5 - 4.0	E = 4.6	G = 4.8	D = 2.4	H = 6.3	K = 6.2	3.0mm² = 2.13	MQC-Applicator	539635-1 WITH DIE: mit Matrize 539734-2	4	5.2	6.8	19.5	0.6
927824-1		CuFe2		△							4.0mm² = 2.35							
963709-5		CuFe2	vorversilbert PRESILVERED	△														
963709-4		CuSn4		△														
963709-3		CuSn4	vorverzinkt PRETINNED	△	4.0 - 6.0	E = 5.2	G = 5.5	D = 2.9	H = 7.3	K = 7.6	4.0mm² = 2.17	MQC-Applicator	-	4.2	5.6	7.7	20	0.6
963709-2		CuSn4		△							5.0mm² = 2.36							
963709-1		CuFe2		△							6.0mm² = 2.55							
1241818-6		B CuNiSi		△														
1241818-5		B CuFe2	vorverzinkt PRETINNED	△														
1241818-1		B CuFe2		△														
927840-5		CuFe2	vorversilbert PRESILVERED	△	0.2 - 0.5	E = 2.2	G = 2.2	D = 0.8	H = 2.8	K = 2.8	0.2mm² = 1.13	MQC-Applicator	-	2.5	3.8	6.4	19.5	0.3
927840-4		CuSn4		△							0.35mm² = 1.19							
927840-3		CuSn4		△							0.5mm² = 1.26							
927840-2		CuSn4	vorverzinkt PRETINNED	△														
927840-1		CuFe2		△														
1-927831-5		CuFe2		△														
927831-5		CuFe2	vorversilbert PRESILVERED	△	0.5 - 1.0	E = 2.8	G = 3.0	D = 1.1	H = 3.9	K = 4.1	0.5mm² = 1.43	MQC-Applicator	169400-0 WITH DIE: mit Matrize	3	4.2	5.8	19.5	0.4
927831-4		CuSn4		△							0.75mm² = 1.52							
927831-3		CuSn4		△							1.0mm² = 1.61							
927831-2		CuSn4	vorverzinkt PRETINNED	△														
927831-1		CuFe2		△														
1-927837-5		CuFe2		△														
927837-6		CuFe2		△	>1.0 - 2.5	E = 3.8	G = 4.1	D = 1.6	H = 4.8	K = 4.9	1.25mm² = 1.69	MQC-Applicator	169400-0 WITH DIE: mit Matrize	3.5	4.7	6.3	19.5	0.4
927837-5		CuFe2	vorversilbert PRESILVERED	△							1.5mm² = 1.76							
927837-4		CuSn4		△							2.0mm² = 1.90							
927837-3		CuSn4	vorverzinkt PRETINNED	△							2.5mm² = 2.04							
927837-2		CuSn4		△														
927837-1		CuFe2		△														
1-927829-5		CuFe2		△	>2.5 - 4.0	E = 4.6	G = 4.8	D = 2.4	H = 5.5	K = 5.7	3.0mm² = 2.13	MQC-Applicator	169400-0 WITH DIE: mit Matrize	4	5.2	6.8	19.5	0.6
927829-5		CuFe2		△							3.5mm² = 2.24							
927829-4		CuSn4	vorverzinkt PRETINNED	△							4.0mm² = 2.35							
927829-3		CuFe2		△														
927829-2		CuSn4		△														
927829-1		CuFe2		△														

VERSION A (UNSEALED / ungedichtet)



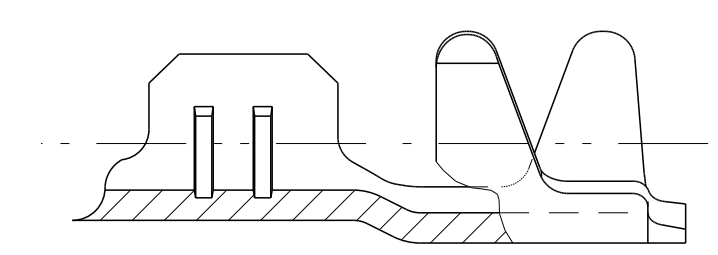
PN	REV	MATERIAL	SURFACE	PREP	FLR	E	G	D	H	K	WIRE CRIMP	MQC-Applicator	WITH DIE	A	B	C	D	E
2-927836-2		CuSn4		△	0.5 - 1.0	E = 2.8	G = 3.0	D = 1.1	H = 7.6	K = 7.7	0.5mm² = 1.43	MQC-Applicator	539635-1 WITH DIE: mit Matrize 739736-2	3	5.4	7.2	20	1.25
927836-2		CuFe2	vorverzinkt PRETINNED	△							0.75mm² = 1.52							
927836-1		CuFe2		△							1.0mm² = 1.61							
2-927835-2		CuSn4		△	>1.0 - 2.5	E = 3.8	G = 4.1	D = 1.6	H = 7.6	K = 7.7	1.5mm² = 1.76	MQC-Applicator	539635-1 WITH DIE: mit Matrize	3.5	5.9	7.7	20	1.25
2-927835-1		CuSn4		△							2.0mm² = 1.90							
1-927835-3		CuFe2		△							2.5mm² = 2.04							
1-927835-2		CuFe2		△														
927835-2		CuSn4	vorverzinkt PRETINNED	△														
927835-1		CuFe2		△														
2-928966-2		CuSn4		△	>2.5 - 4.0	E = 4.6	G = 4.8	D = 2.4	H = 7.6	K = 7.7	3.0mm² = 2.13	MQC-Applicator	539635-1 WITH DIE: mit Matrize	4	5.9	7.7	20	1.25
2-928966-1		CuSn4		△														
1-928966-3		CuFe2		△							4.0mm² = 2.35							
1-928966-2		CuFe2		△														
928966-2		CuSn4	vorverzinkt PRETINNED	△														
928966-1		CuFe2		△														
1241962-1		B CuFe2	vorverzinkt PRETINNED	△	>3.0 - 5.0	E = 4.8	G = 5.2	D = 2.5	H = 8.15	K = 7.8	3.0mm² = 2.25	MQC-Applicator	539736-2 WITH DIE: mit Matrize	4	5.9	7.7	20	1.25
				△							4.0mm² = 2.50							
				△							5.0mm² = 2.75							

VERSION B (SINGLE WIRE SEAL / Einzel-Dichtungs-System)



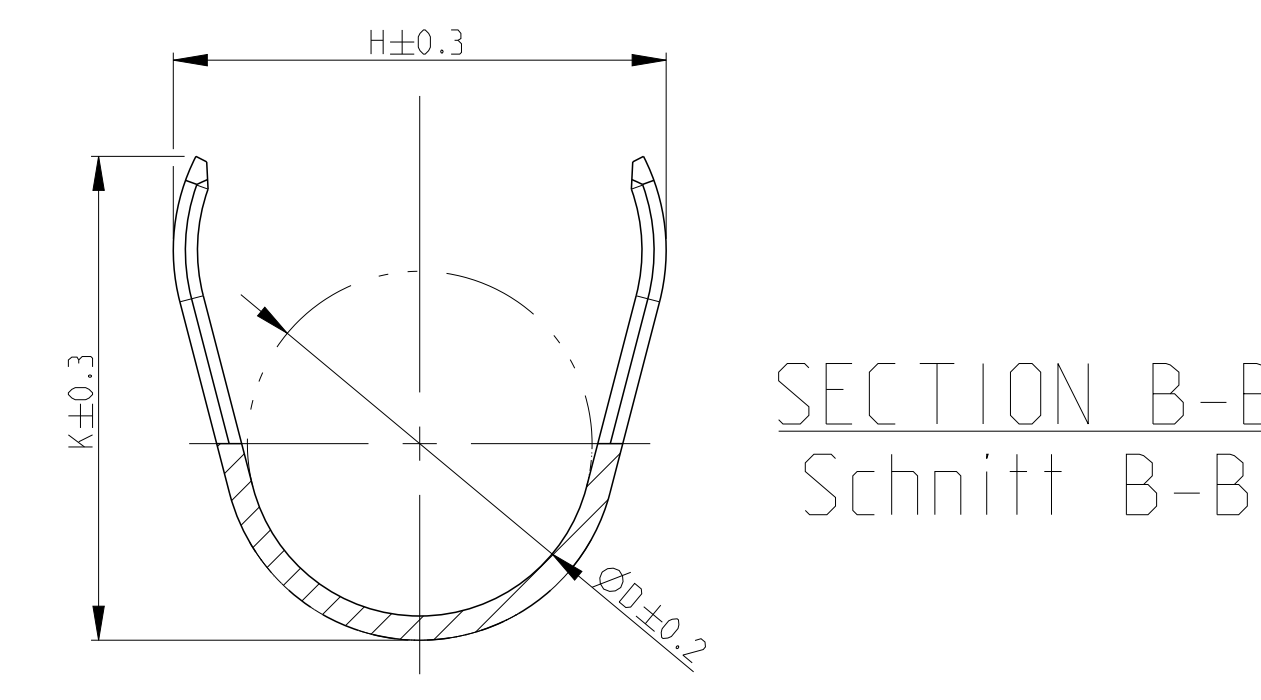
- △ CONTACT ZONE SELECTIVE PRE SILVER PLATED MIN 3-4.5 µm Kontaktzone selektiv vorversilbert min. 3-4.5 µm
- △ CONTACT ZONE SELECTIVE PRE SILVER PLATED MIN 1-1.5 µm Kontaktzone selektiv vorversilbert min. 1-1.5 µm
- △ CONTACT BODY: ELECTRO TIN PLATED OVER NICKEL CONTACT AREA: GOLD PLATED Kontaktkoerper: gal. verzinkt ueber Nickel Kontaktzone: vergoldet
- △ CONTACT BODY: ELECTRO TIN PLATED OVER NICKEL CONTACT AREA: SELECTIVE NICKEL PLATED 2-4 µm Kontaktkoerper: gal. verzinkt ueber Nickel Kontaktzone: selektiv vernickelt 2-4 µm
- △ CONTACT BODY: ELECTRO TIN PLATED OVER NICKEL TOUCHING AREA TO CANTILEVER SPRING: SELECTIVE AU PLATED OVER NICKEL CANTILEVER SPRING: COMPLETELY AU PLATED Kontaktkoerper: gal. verzinkt ueber Nickel Anlageflaeche zur Ueberfeder selektiv Au ueber Ni beschichtet Ueberfeder: komplett Au beschichtet

- △ WRAP CRIMP ONLY FOR PN: 927839, 927840, 928989 AND 928990 Umfassungscrimp nur bei PN: 927839, 927840, 928989 und 928990



- △ TRANSITION ONLY FOR PN 927827, 927828, 927829, 927830, 927833, 927834, 927837, AND 927838 Uebergang nur fuer PN 927827, 927828, 927829, 927830, 927833, 927834, 927837, und 927838

- △ 1-3 µm Sn20M LAYER FOR HIGHER TEMPERATURE REQUIREMENTS 1-3 µm Sn20M Schicht fuer hoehere Temperaturanforderungen
- △ DOTTED LINE IS ALTERNATIVE SHAPE Gestrichelte Linie alternative Form
- △ OBSOLETE



THIS DRAWING IS A CONTROLLED DOCUMENT.		DATE: 1989P012	BY: JS	APPD: RS
DIMENSIONS: (mm)	SCALE: 10:1	PROJECT: 108-18025	PRODUCT SPEC: 114-18037	APPLICATION SPEC: 114-18037
MATERIAL: -	FINISH: -	WEIGHT: -	REVISION: -	DATE: 1989P012
EXTRACTION TOOL: T-1579007-6 968107-1	MATERIAL: -	FINISH: -	WEIGHT: -	DATE: 1989P012
CUSTOMER DRAWING		SCALE: 10:1	SHEET: 1 of 1	REV: B6