

# S5295B/G/J

## FAST RECOVERY RECTIFIERS

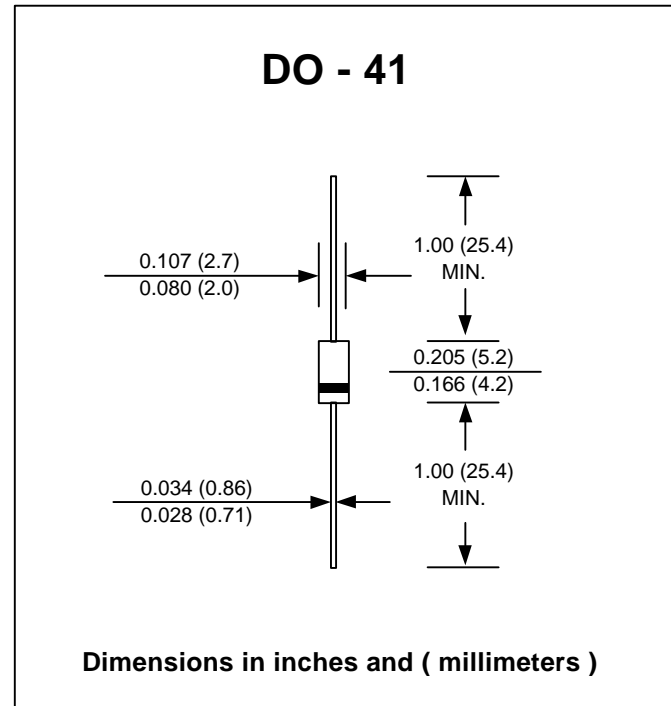
**PRV : 100 - 600 Volts**  
**Io : 0.5 Ampere**

### FEATURES :

- \* High current capability
- \* High surge current capability
- \* High reliability
- \* Low reverse current
- \* Low forward voltage drop
- \* Fast switching for high efficiency
- \* **Pb / RoHS Free**

### MECHANICAL DATA :

- \* Case : DO-41 Molded plastic
- \* Epoxy : UL94V-O rate flame retardant
- \* Lead : Axial lead solderable per MIL-STD-202, Method 208 guaranteed
- \* Polarity : Color band denotes cathode end
- \* Mounting position : Any
- \* Weight : 0.339 gram



### MAXIMUM RATINGS AND ELECTRICAL CHARACTERISTICS

Rating at 25 °C ambient temperature unless otherwise specified.  
 Single phase, half wave, 60 Hz, resistive or inductive load.  
 For capacitive load, derate current by 20%.

RATING	SYMBOL	S5295B	S5295G	S5295J	UNIT
Maximum Repetitive Peak Reverse Voltage	$V_{RRM}$	100	400	600	V
Maximum Reverse Voltage (DC)	$V_R$	75	300	500	V
Maximum Average Forward Current	$I_{F(AV)}$	0.5			A
Maximum Peak One Cycle Surge Forward Current ( 50 Hz, Non-Repetitive )	$I_{FSM}$	30			A
Maximum Peak Forward Voltage at $I_F = 1.0$ A	$V_F$	1.5			V
Maximum Repetitive Peak Reverse Current at $V_{RRM}$	$I_R$	10			$\mu A$
Maximum Reverse Recovery Time (Note 1)	$T_{rr}$	1.5			$\mu s$
Junction Temperature Range	$T_J$	- 40 to + 125			°C
Storage Temperature Range	$T_{STG}$	- 40 to + 125			°C

### Notes :

(1) Reverse Recovery Test Condition :  $I_F = 20$  mA,  $I_R = 1$  mA

## RATING AND CHARACTERISTIC CURVES ( S5295B/G/J )

FIG.1 - REVERSE RECOVERY TIME CHARACTERISTIC AND TEST CIRCUIT DIAGRAM

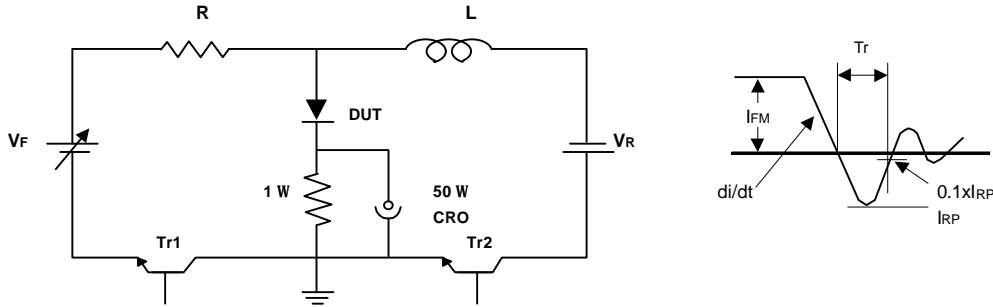


FIG.2 - DERATING CURVE FOR OUTPUT RECTIFIED CURRENT

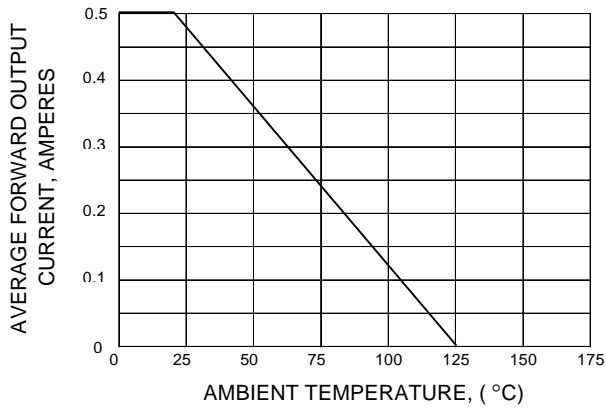


FIG.3 - MAXIMUM NON-REPETITIVE PEAK FORWARD SURGE CURRENT

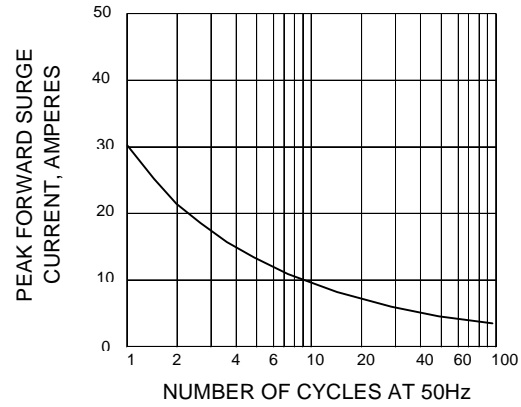


FIG.4 - TYPICAL FORWARD CHARACTERISTICS

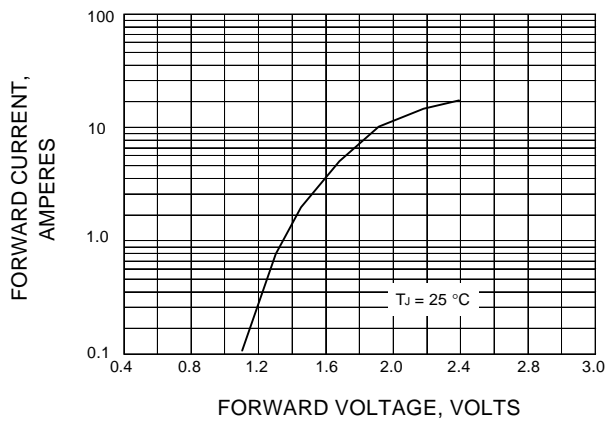


FIG.5 - TYPICAL REVERSE CHARACTERISTICS

