

Stacked Coin Type

Series : **SG** Low temperature assured product



Features

- Endurance : +70 °C 1000 h
- Category temperature range : -40 °C to +70 °C
- Maximum height of 6.5 mm (H Terminal)
- RoHS compliant

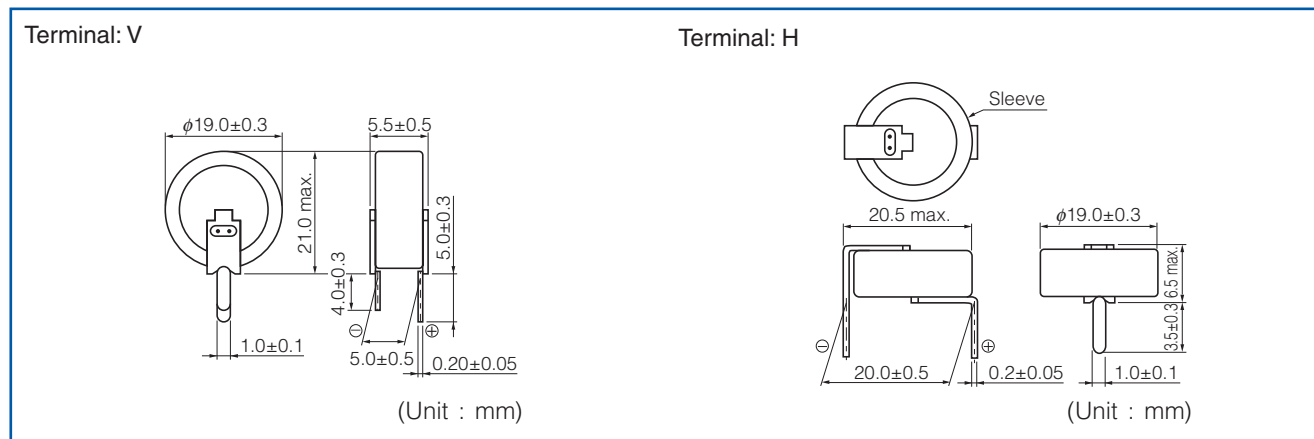
Recommended applications

- Memory back-up for video and audio equipment, cameras, telephones, printers, data terminals, rice cookers and intelligent remote controls

Specifications

Category temp. range	-40 °C to +70 °C	
Maximum operating voltage	5.5 V.DC	
Nominal cap.range	0.47 F to 1.5 F	
Characteristics at low temperature	Capacitance change	±30 % of initial measured value at +20 °C (at -40 °C)
	Internal resistance	≤ 7 times of initial measured value at +20 °C (at -40 °C)
Endurance	After 1000 hours application of 5.5 V.DC at +70 °C, the capacitor shall meet the following limits.	
	Capacitance change	±30 % of initial measured value
Shelf life	Internal resistance	≤ 4 times of initial specified value
	After 1000 hours storage at +70 °C without load, the capacitor shall meet the specified limits for Endurance.	

Dimensions in mm(not to scale)



Characteristics list

Category temp. range (°C)	Maximum operating voltage (V.DC)	Capacitance (F)	Capacitance tolerance (F)	Internal resistance (Initial specified value) (Ω) at 1 kHz	Recommended *1 discharge current (mA)	Parts number	Mass (Reference value) (g)	Min. packaging q'ty (pcs)
-40 to +70	5.5	0.47	0.376 to 1.41	≤ 30	1 or less	EECS5R5()474N	4.1	100
		1.0	0.80 to 1.80	≤ 30	1 or less	EECS5R5()105N	4.1	100
		1.5	1.20 to 2.70	≤ 30	1 or less	EECS5R5()155N	4.2	100

() Please use V or H, to indicate the terminal style.

*1 The recommended discharge current is a reference value. Please design your equipment(circuit) in consideration of IR drop.

Do not use reflow soldering. Please refer to the page of "Application guidelines".