



E100-B2A22S10A

E100

SAFETY COMMAND DEVICES

SICK
Sensor Intelligence.



Ordering information

| Type | Part no. |
|----------------|----------|
| E100-B2A22S10A | 6022880 |

Other models and accessories → www.sick.com/E100



Detailed technical data

Features

| | |
|---|---|
| Number of positive action N/C contacts | 2 |
| Number of N/O contacts | 2 |
| Actuation directions | 1 |

Safety-related parameters

| | |
|---|---|
| B_{10d} parameter | 5 x 10 ⁵ switching cycles (with small load) |
| Safe state in the event of a fault | The switch has no internal fault detection and is unable to assume a safe state in the event of a fault. Fault detection is performed by the connected safety-related logic unit. |

Interfaces

| | |
|-------------------------|--|
| Connection type | Cable open end |
| Length of cable | 10 m |
| Cable material | PUR |
| Conductor cross-section | 0.14 mm ² ... 0.5 mm ² |

Electrical data

| | |
|--|-----------------------------------|
| Switching principle | Slow action switching element |
| Number of positive action N/C contacts | 2 |
| Number of N/O contacts | 2 |
| Usage category | DC-13 (EN 60947-5-1) |
| Rated operating current (voltage) | 2 A (24 V DC) 100 mA (24 V DC) |
| Rated insulation voltage U_i | 32 V |
| Rated impulse withstand voltage U_{imp} | 800 V |
| Short-circuit protection | 2 A gG / 0.1 A gG |
| Switching voltage | ≥ 12 V DC |
| Switching current (switching voltage) | ≥ 1 mA (24 V DC) |

Mechanical data

| | |
|-------------------|----------------|
| Dimensions | 64 mm x 132 mm |
|-------------------|----------------|

| | |
|-------------------------|--------------------------------------|
| Weight | 1.32 kg |
| Housing material | Plastic |
| Mechanical life | 1 x 10 ⁵ switching cycles |

Ambient data

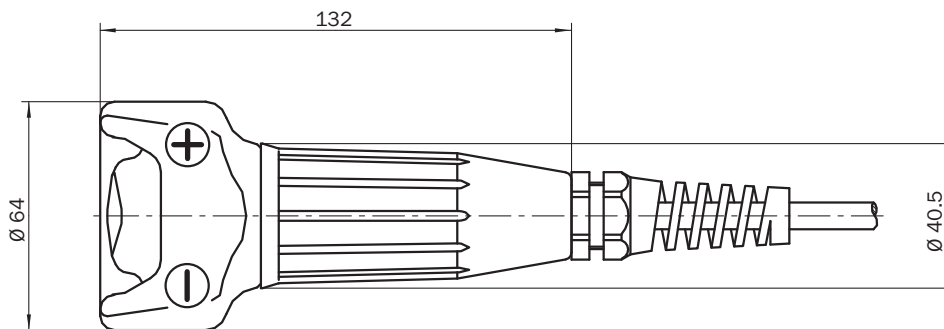
| | |
|--------------------------------------|------------------|
| Enclosure rating | IP65 (EN 60529) |
| Ambient operating temperature | -5 °C ... +50 °C |
| Storage temperature | -5 °C ... +50 °C |

Classifications

| | |
|-----------------------|----------|
| ECl@ss 5.0 | 27371238 |
| ECl@ss 5.1.4 | 27371238 |
| ECl@ss 6.0 | 27371238 |
| ECl@ss 6.2 | 27371238 |
| ECl@ss 7.0 | 27371238 |
| ECl@ss 8.0 | 27371238 |
| ECl@ss 8.1 | 27371238 |
| ECl@ss 9.0 | 27371238 |
| ETIM 5.0 | EC002571 |
| ETIM 6.0 | EC002571 |
| UNSPSC 16.0901 | 39122205 |

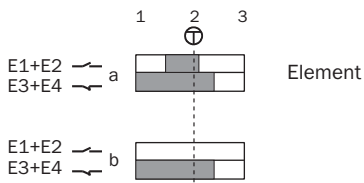
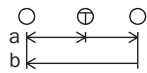
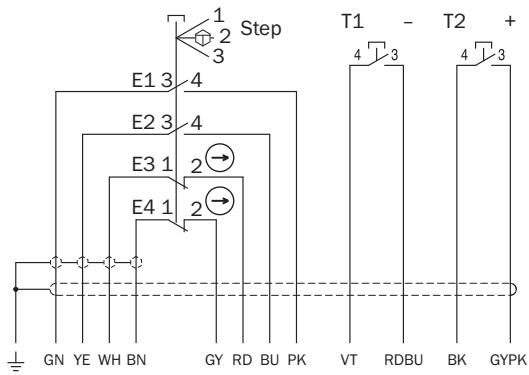
[Dimensional drawing](#) (Dimensions in mm (inch))

E100-B



Actuator travel diagram

E100-B



- Contacts open
- Contacts closed

SICK AT A GLANCE

SICK is one of the leading manufacturers of intelligent sensors and sensor solutions for industrial applications. A unique range of products and services creates the perfect basis for controlling processes securely and efficiently, protecting individuals from accidents and preventing damage to the environment.

We have extensive experience in a wide range of industries and understand their processes and requirements. With intelligent sensors, we can deliver exactly what our customers need. In application centers in Europe, Asia and North America, system solutions are tested and optimized in accordance with customer specifications. All this makes us a reliable supplier and development partner.

Comprehensive services complete our offering: SICK LifeTime Services provide support throughout the machine life cycle and ensure safety and productivity.

For us, that is “Sensor Intelligence.”

WORLDWIDE PRESENCE:

Contacts and other locations –www.sick.com