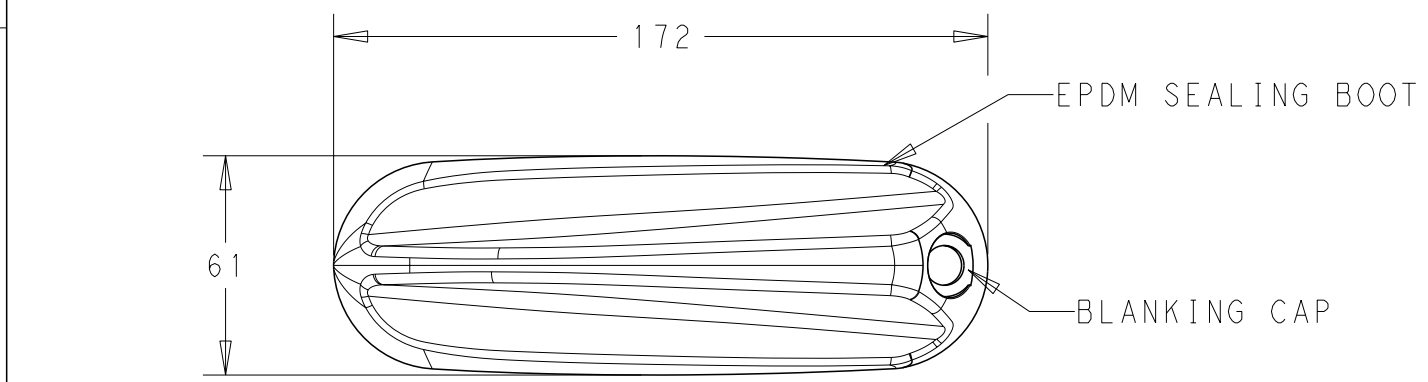
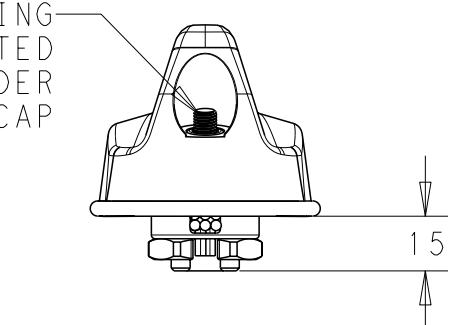
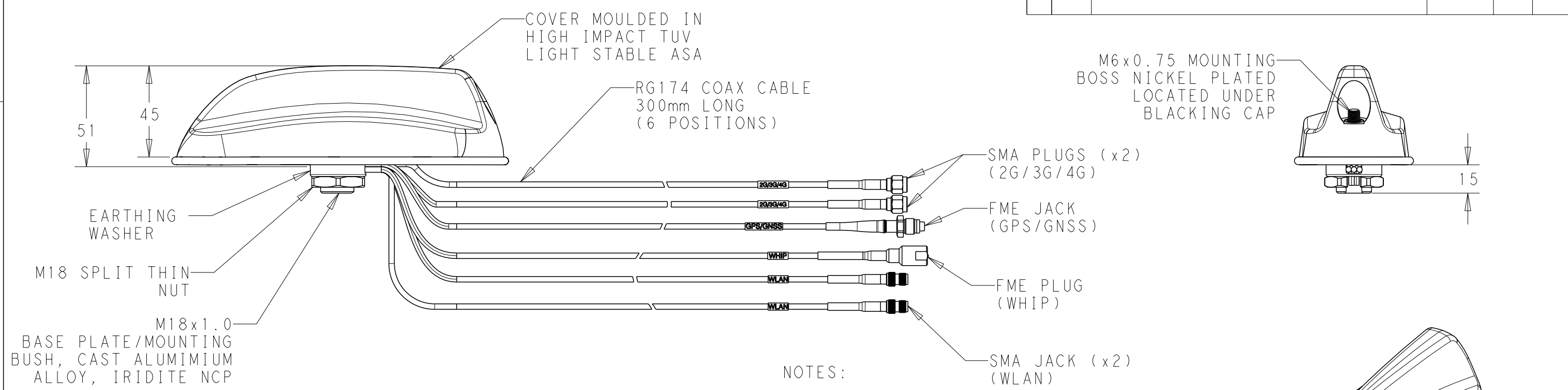
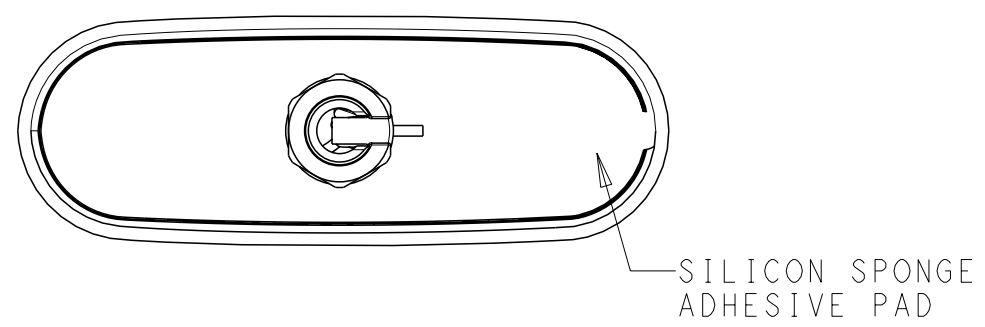
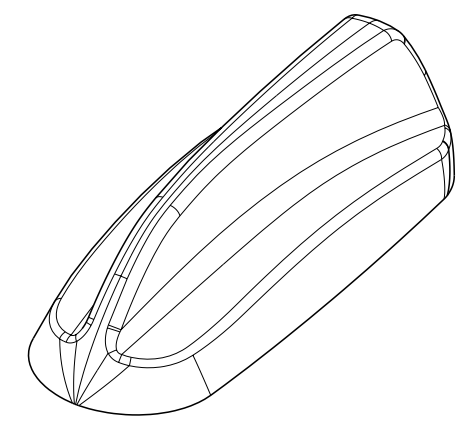


THIS DRAWING IS UNPUBLISHED.		RELEASED FOR PUBLICATION	
© COPYRIGHT 20		ALL RIGHTS RESERVED.	
PROJECT	PRJ-16-000906992		
PART NO.	1-2823602-1		
HV DESC	MiMo with GPS/GNSS 2G/3G/4G WLAN ANT		
CUSTOMER	GENERAL MARKET		

P	LTR	DESCRIPTION	DATE	DWN	APVD
	A	NEW RELEASE	12JUL2016	KK	GG
	A1	ECR-16-013123	14SEP2016	KK	GG



- NOTES:
- ALL PARTS MUST BE RoHS COMPLIANT AND MUST NOT CONTAIN ANY SUBSTANCES OF VERY HIGH CONCERN (SVHCs) LISTED UNDER REACH OR POLY-AROMATIC HYDROCARBONS (PAHs), OR PERSISTANT ORGANIC POLLUTANTS (POPs) CONTROLLED BY THE STOCKHOLM CONVENTION.
  - WEIGHT 262.7 gr.
  - FOR INSTALLATION INSTRUCTIONS, PLEASE REFER 408-156029.

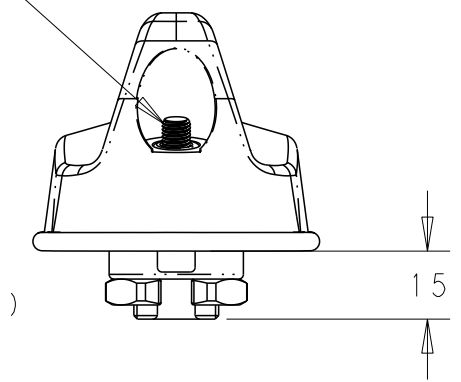
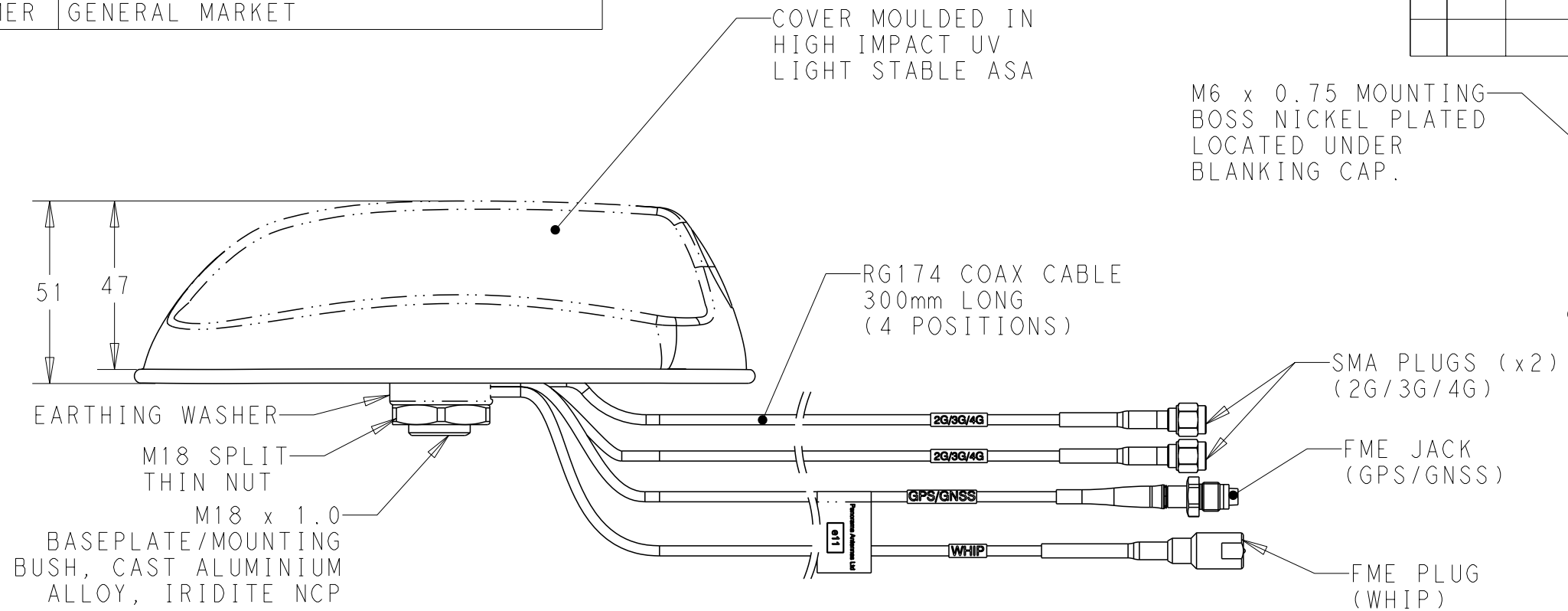


THIS DRAWING IS A CONTROLLED DOCUMENT.		1-2823602-1		MiMo with GPS/GNSS 2G/3G/4G WLAN ANT		BLACK COLOR	
DIMENSIONS: mm		TE PN'S		DESCRIPTION		REMARKS	
TOLERANCES UNLESS OTHERWISE SPECIFIED:		DWN KIRAN K 12JUL2016		 TE Connectivity			
0 PLC ±0.5		CHK GUNASEKHAR G 12JUL2016					
1 PLC ±0.2		APVD GUNASEKHAR G 12JUL2016		NAME MiMo with GPS/GNSS 2G/3G/4G WLAN ANT			
2 PLC ±0.1		PRODUCT SPEC		SIZE			
3 PLC ±		APPLICATION SPEC		CAGE CODE		DRAWING NO	
4 PLC ±		WEIGHT		A300779		C-2823602	
ANGLES ±1°		CUSTOMER DRAWING		SCALE NTS		SHEET 1 OF 2	
FINISH		MATERIAL		RESTRICTED TO		REV A1	

THIS DRAWING IS UNPUBLISHED. RELEASED FOR PUBLICATION 20  
 © COPYRIGHT 20 BY - ALL RIGHTS RESERVED.

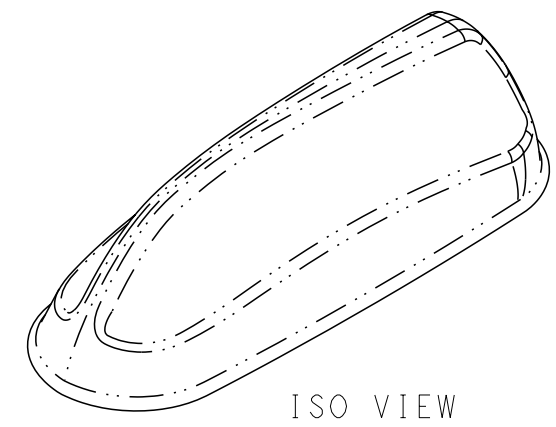
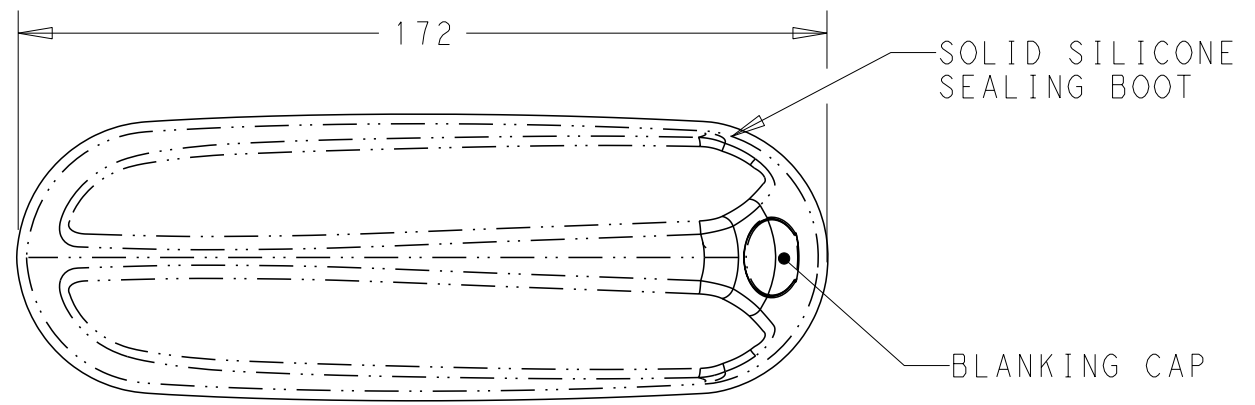
PROJECT	PRJ-16-000906992
PART NO.	1-2823602-2
HV DESC	2x2 CELLULAR MiMo + GPS + WHIP
CUSTOMER	GENERAL MARKET

REVISIONS					
P	LTR	DESCRIPTION	DATE	DWN	APVD
-	-	SEE SHEET 1	-	-	-

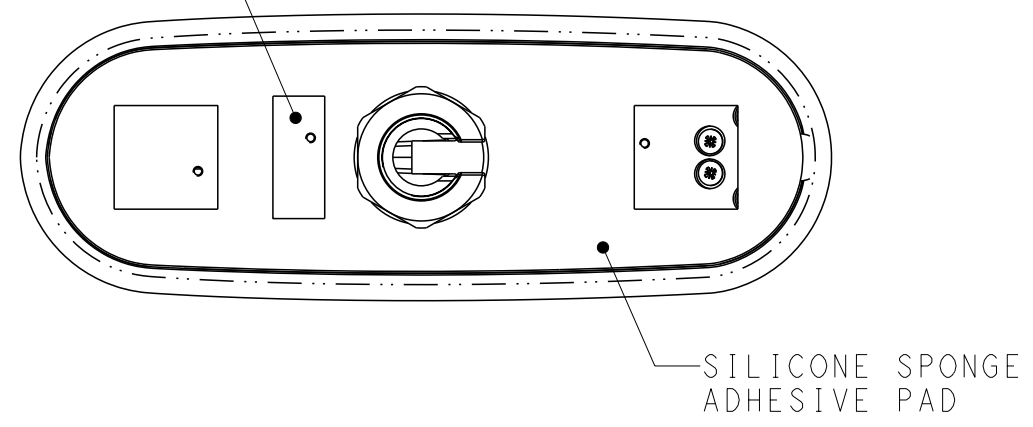


NOTES:

- ALL MATERIALS SUPPLIED MUST BE RoHS2 (DIRECTIVE 2011/65/EU) COMPLIANT AND MUST NOT CONTAIN ANY SUBSTANCES OF VERY HIGH CONCERN (SVHCs) LISTED UNDER REACH OR POLY-AROMATIC HYDROCARBONS (PAHs), OR PERSISTENT ORGANIC POLLUTANTS (POPs) CONTROLLED BY THE STOCKHOLM CONVENTI.
  - WEIGHT: 219.36 gr.
- OPERATING FREQUENCIES:
- 698 - 960 / 1710 - 2700 MHz x2  
 1562 - 1612 MHz 26dB LNA



PRODUCT LABEL LOCATION



1-2823602-2	2x2 CELLULAR MiMo + GPS + WHIP	BLACK COLOR
TE PN'S	DESCRIPTION	REMARKS

THIS DRAWING IS A CONTROLLED DOCUMENT.		DWN 14SEP2016 KIRAN K		NAME 2x2 CELLULAR MiMo + GPS+ WHIP
DIMENSIONS: mm		CHK 14SEP2016 GUNASEKHAR G		
TOLERANCES UNLESS OTHERWISE SPECIFIED:		APVD 14SEP2016 GUNASEKHAR G		
0 PLC ±0.5 1 PLC ±0.2 2 PLC ±0.1 3 PLC ± 4 PLC ± ANGLES ±1°		PRODUCT SPEC		
MATERIAL	FINISH	WEIGHT	APPLICATION SPEC	RESTRICTED TO
-	-	-	-	-
CUSTOMER DRAWING			SCALE NTS	SHEET 2 OF 2
			REV A1	