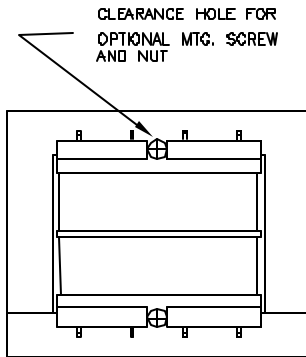
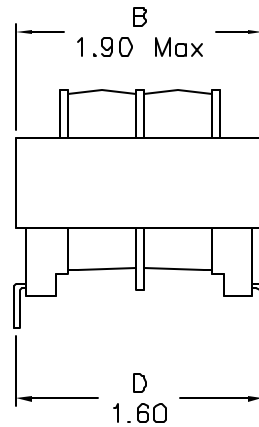
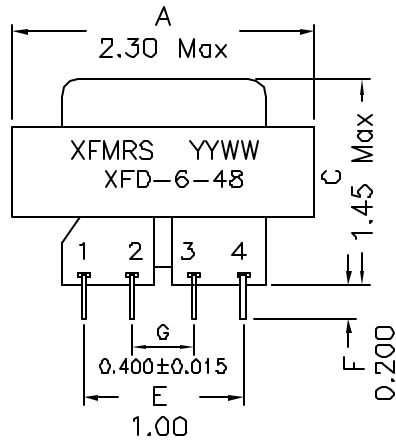
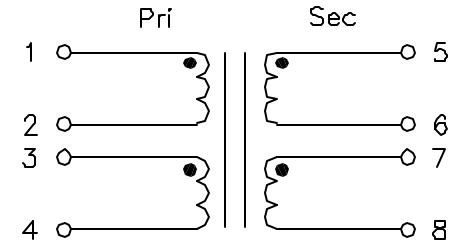


1. Mechanical Dimensions:



BOTTOM VIEW

2. Schematic:



3. Electrical Specifications:

Primary: Pins 1-2/3-4 115/230V 50/60Hz

Ex I: Pins 1-2 100mA Max 120V 60Hz or 100V 50Hz

Parallel Sec: 24.0V @ 0.8Aac

Series Sec: 48.0V @ 0.4Aac

HIPOT: 2500Vac Pri-Sec, Wdgs-Core

Notes:

1. Solderability: Leads shall meet MIL-STD-202G, Method 208H for solderability.
2. Flammability: UL94V-0
3. ASTM oxygen index: > 28%
4. Insulation System: Class F 155°C. UL file E151556
5. Operating Temperature Range: All listed parameters are to be within tolerance from -40°C to +85°C
6. Storage Temperature Range: -55°C to +125°C
7. Aqueous wash compatible
- B. Electrical and mechanical specifications 100% tested
9. RoHS Compliant Component

DOC REV: A/2

PROPRIETARY Document is the property of XFMRs Group & is not allowed to be duplicated without authorization.

XFMRs Inc www.XFMRs.com		Title: Power Xfmr	
UNLESS OTHERWISE SPECIFIED TOLERANCES: .xxx±0.010 Dimensions in INCH		P/N: XFD-6-48	REV. A
DWN.	罗振江	CHK.	廖玉坤
APP.	MS	Scale 1.5:1 SHT 1 OF 1	Sep-13-06