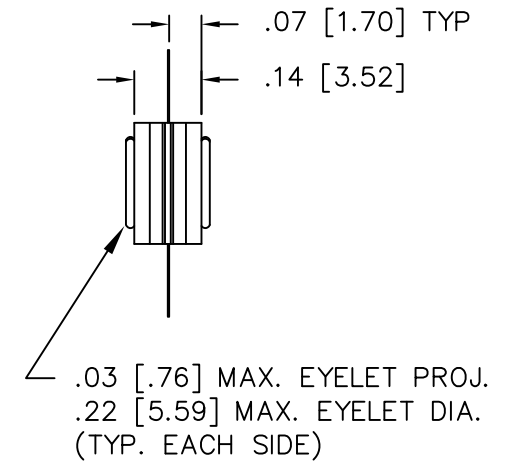
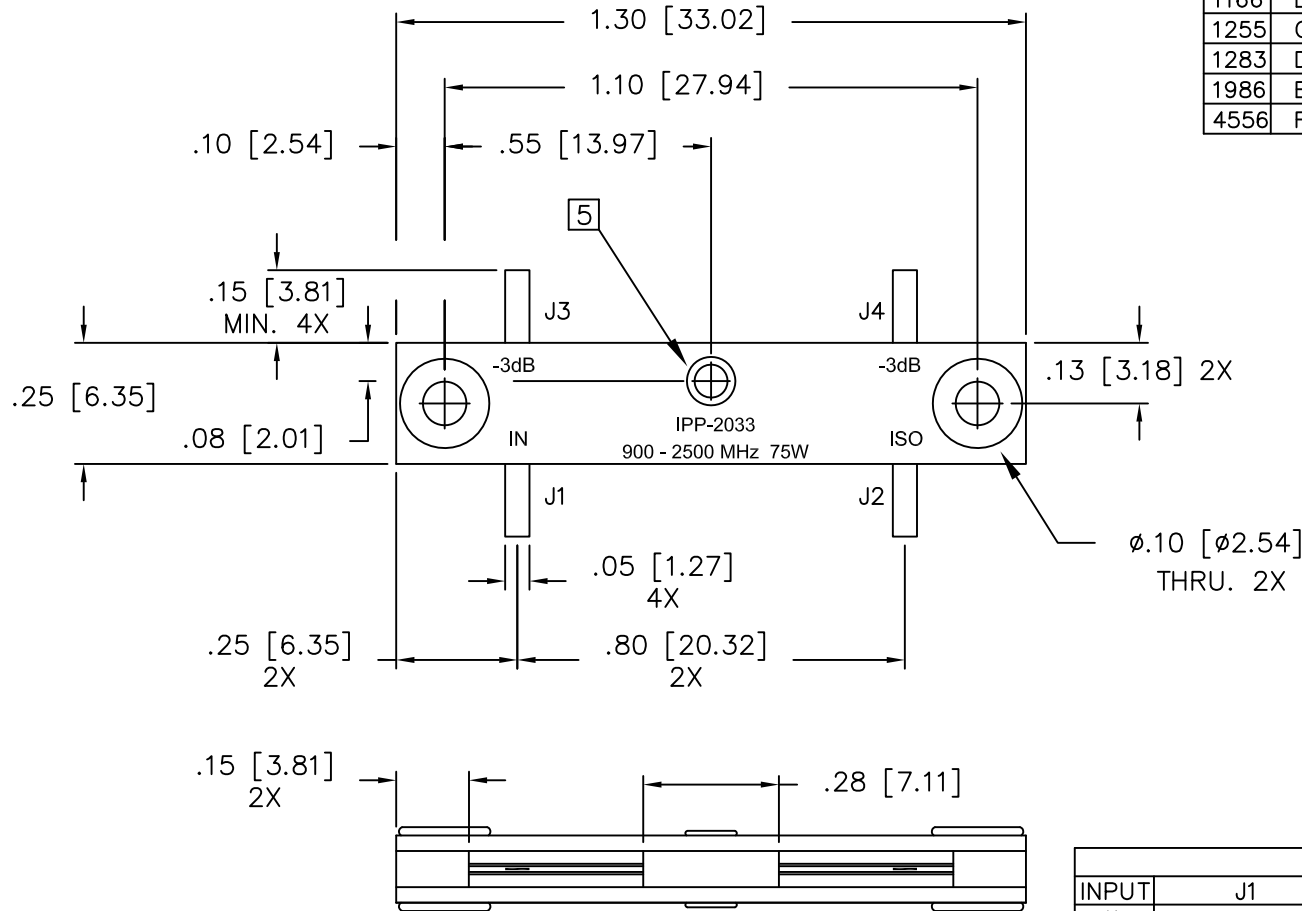


UNAUTHORIZED USE OF THIS
DRAWING IS STRICTLY PROHIBITED

DAR	REV	DESCRIPTION	APPVD	DATE
1087	A	INITIAL RELEASE	TJD	4-06
1166	B	REVISE POWER SPECIFICATION	TJD	8-06
1255	C	DIMENSION AND SPEC SMALL EYELET	TP	1-07
1283	D	CHANGE POWER FROM 150W TO 75W	TP	4-07
1986	E	SEE DAR	DG	8-09
4556	F	SEE DAR	DG	9-13



NOTES:

- LEAD MATERIAL: 99.99% PURE SILVER .005 [.127] THICK.
 - SEE 90° APPLICATION NOTE FOR FURTHER INFORMATION.
 - RoHS COMPLIANT.
 - DATA AND SPECIFICATIONS APPLY WHEN PART IS MOUNTED IN IPP TEST FIXTURE TF-1073. TEST FIXTURE CONFIGURATION/FOOTPRINT AVAILABLE ON REQUEST.
- [5]. .03 [.76] MAX EYELET PROJ.
.13 [3.30] MAX. EYELET DIA.
(TYP. EACH SIDE)

ELECTRICAL SPECIFICATIONS

FREQUENCY: 900 - 2500 MHz.
INSERTION LOSS: < 0.30 dB
VSWR: < 1.30:1
ISOLATION: > 18 dB
AMPLITUDE BALANCE: ±0.90 dB
PHASE BALANCE: ±5°
POWER: 75 WATT
TEMPERATURE: -55°C TO 85°C

PORT CONFIGURATION				
INPUT	J1	J2	J3	J4
J1	---	ISOLATION	-3dB<0 DEG	-3dB<-90 DEG
J2	ISOLATION	---	-3dB<-90 DEG	-3dB<0 DEG
J3	-3dB<0 DEG	-3dB<-90 DEG	---	ISOLATION
J4	-3dB<-90 DEG	-3dB<0 DEG	ISOLATION	---

MATERIAL	DWN	DG	DATE	4/06	Innovative Power Products		
AL. ALLOY, 6061-T6	ENG	TJD	DATE	4/06			
FINISH	MANUF	TP	DATE	4/06	TITLE		
CHEM FILM CLEAR PER MIL-DTL-5541, TYPE 2, REV F, CLASS 3 ROHS COMPLIANT	CAGE CODE: 437R2			OUTLINE, COUP., 90°, 900 - 2500 MHz. 75W			
TOLERANCE	SHEET	OF	SCALE	SIZE		P/N	REV.
.XX ±.02 [.50] .XXX ±.010 [.127] ANG. ±1/2°	1	1	4:1	B	IPP-2033		F