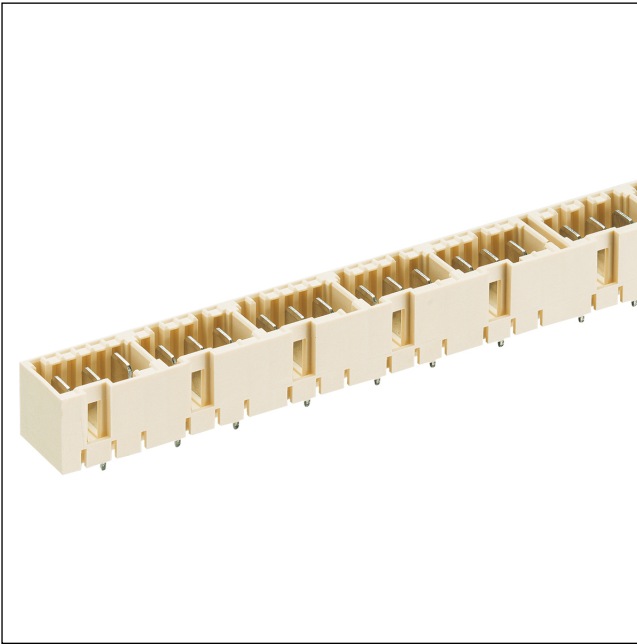


36

367199

RAST 5 connectors, pitch 5.0 mm



RAST 5 tab header, upright, with positioning spigot, free to configure with partitions and pre-mating protective contacts

---

State: Active

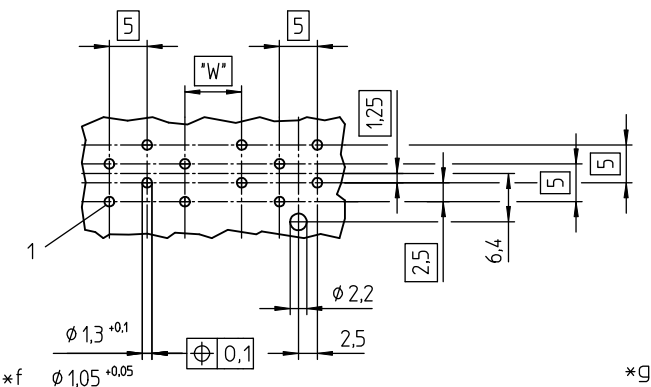
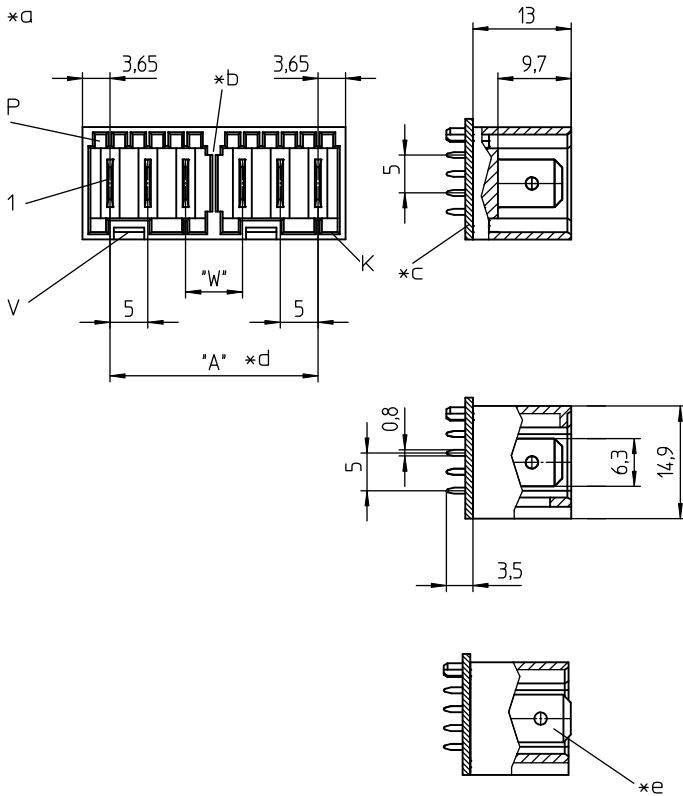
---

---

Approvals:



36 367199



### Environmental conditions

Temperature range -40 °C/+120 °C

### Materials

Insulating body PA GF, V-0 according to UL94<sup>1</sup>

Contact tab CuZn, pre-nickel and tin-plated

<sup>1</sup> component glow wire resistant (GWT 750 °C), testing acc. to IEC 60695-2-11, assessment acc. to IEC 60335-1 (flame < 2 s)

### Mechanical data

Contact tab 6.3 x 0.8 mm according to DIN 42644

### Electrical data (at T<sub>amb</sub> 20 °C)

Rated current 10 A (T<sub>v</sub> 70 °C)

Rated voltage 250 V AC

Material group IIIa (IEC)/2 (UL) (CTI ≥ 250)

Creepage distance 4,2 mm

Clearance 4,2 mm

Insulation resistance > 10 GΩ

### Associated products

#### Counterparts

☞ 3611	☞ 3615	☞ 3615-1
☞ 3615-2	☞ 3615-3	☞ 3623
☞ 3626		

- \*a K = keying  
P = positioning  
V = space for lock
- \*b partitioning
- \*c printed circuit board
- \*d  $A = (P - 1) \times 5 + (W - 5) \times Y$ , max. 135 mm  
P = poles  
W = 7,5 mm (standard)/10,0 mm  
Y = number of partitions (at least 1 partition every 12 contacts)

\*e pre-mating protective contact, protruding 1.5 mm, possible at 2 of any position

\*f measure for press-fit of solder pins in printed circuit board

\*g printed circuit board layout, solder side view

Designation	Pole Number	PU (Pieces)	MDQ (Pieces)
367199 03	3		2000
367199 04	4		2000
367199 05	5		2000
367199 06	6		2000
367199 07	7		2000
367199 08	8		2000
367199 09	9		2000
367199 10	10		2000
367199 11	11		2000
367199 12	12		2000
367199 13	13		2000
367199 14	14		2000
367199 15	15		2000
367199 16	16		2000
367199 17	17		2000
367199 18	18		2000
367199 19	19		2000
367199 20	20		2000
367199 21	21		2000
367199 22	22		2000
367199 23	23		2000
367199 24	24		2000
367199 25	25		2000
367199 26	26		2000
367199 27	27		2000

Designation to be completed by further details (e.g. for keying, color or material options).

**Packaging:**  
in a cardboard box