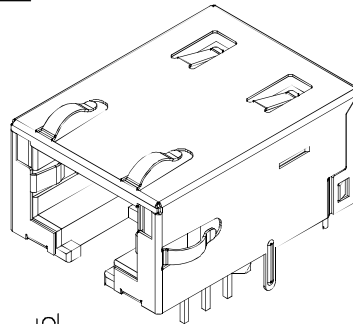
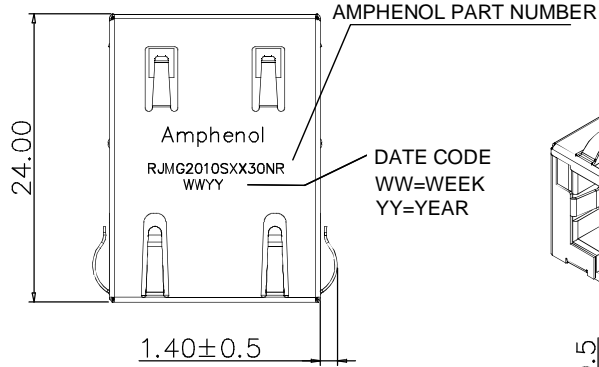


This document is the property of Amphenol Corporation and is delivered on the express condition that it is not to be disclosed, reproduced or used, in whole or in part, for manufacture or sale by anyone other than Amphenol Corporation without its prior consent, and that no right is granted to disclose or to use any information in this document.

The marking on this product doesn't contain environmental hazardous materials per Material Specification SS-00259 for Sony GP compliant or per directive 2011/65/EU for RoHS compliant.

CUSTOMER DRAWING

REVISIONS				
SYM	ECN No.	DESCRIPTION	DATE	APPROVED
AX1		NEW PROPOSAL DRAWING	11/08/2012	Tony Lin
AX2		ADD PACKAGE DRAWING	12/04/2012	Roger Tsai
AX3		UPDATE DOMINANT WAVELENGTH	01/14/2013	Roger Tsai
AX4		ADD THE LED CONFIGURATION	02/22/2013	Roger Tsai



NOTES:

1. MATERIAL:

- 1.1 HOUSING: THERMOPLASTIC, UL94 V-0;
COLOR: BLACK
- 1.2 RJ CONTACT: COPPER ALLOY, T=0.30±0.02mm.
- 1.3 SHELL: COPPER ALLOY, T=0.20±0.02mm.

2. FINISH:

- 2.1 CONTACT:
GOLD PLATING [30 μ "] (SEE TABLE) ON CONTACT AREA.
2.54μm [100 μ "] MIN. MATTE-TIN PLATING ON SOLDER TAIL AREA.

1.27μm [50 μ "] MIN. NICKEL UNDERPLATING OVERALL.

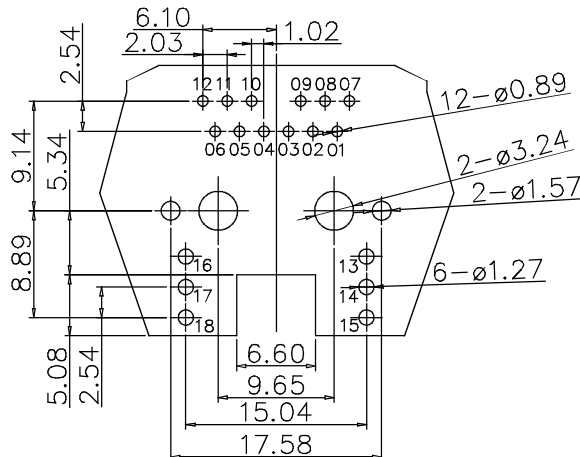
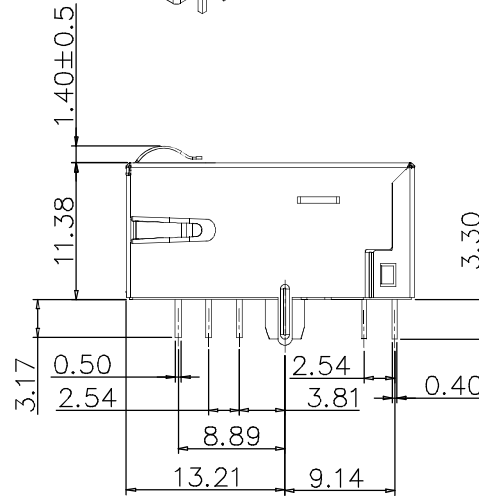
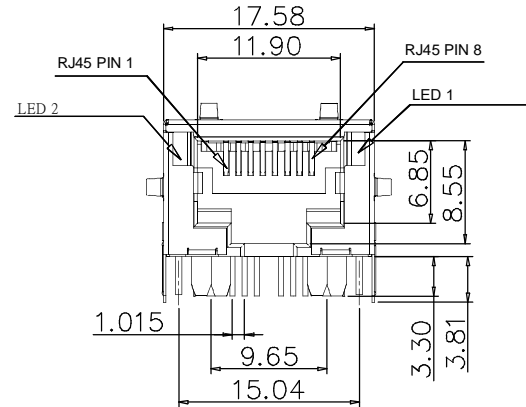
2.2 SHELL:

1.27μm [50 μ "] MIN. NICKEL UNDERPLATING OVERALL.

3. RECOMMENDED P.C.B THICKNESS : 1.6mm

4. OTHER GENERAL SPEC. TO REFER : RJF SERIES SPEC.

5. FOR REFLOW SOLDERING LEAD-FREE PROCESS



FOR ONE UNIT



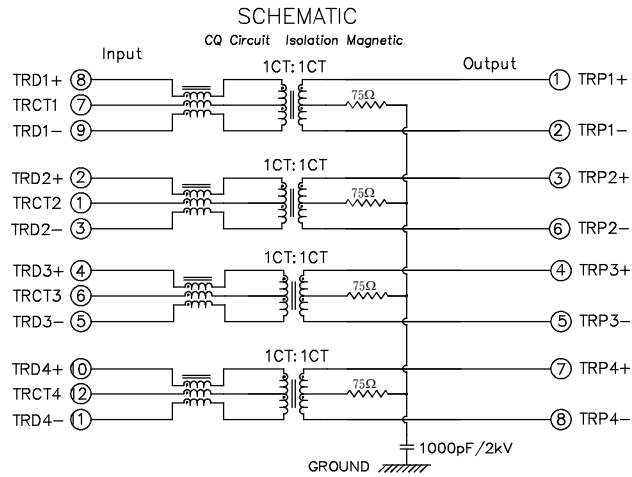
TOLERANCE	APPROVALS	DATE	TITLE		Amphenol® Amphenol Corporation Amphenol Taiwan Corporation			
X.X ±0.35	DRAWN Devin Yen	02/22/2013	RJMG2010 Series 1X1 1000 Base-T Series with LED options		UNIT mm	SIZE A3	PART No. RJMG2010SXX30NR	REV. AX4
X.XX ±0.25	CHECKED Vivian Wen	02/22/2013						
X.XXX ±0.15	APPROVED Roger Tsai	02/22/2013						
ANGULAR ±1°	DWG TYPE CUST DWG	PROJECT CODE RJMG			SCALE NA	SHEET 1 OF 3	DWG No. RJMG2010SXX30NR	
UNLESS OTHERWISE SPECIFIED								

This document is the property of Amphenol Corporation and is delivered on the express condition that it is not to be disclosed, reproduced or used, in whole or in part, for manufacture or sale by anyone other than Amphenol Corporation without its prior consent, and that no right is granted to disclose or to use any information in this document.

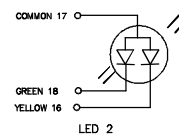
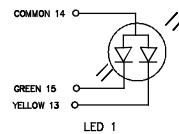
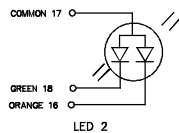
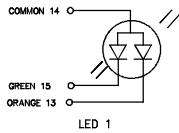
The marking on this product doesn't contain environmental hazardous materials per Material Specification SS-00259 for Sony GP compliant or per directive 2011/65/EU for RoHS compliant.

CUSTOMER DRAWING

REVISIONS				
SYM	ECN No.	DESCRIPTION	DATE	APPROVED
AX1		NEW PROPOSAL DRAWING	11/08/2012	Tony Lin
AX2		ADD PACKAGE DRAWING	12/04/2012	Roger Tsai
AX3		UPDATE DOMINANT WAVELENGTH	01/14/2013	Roger Tsai
AX4		ADD THE LED CONFIGURATION	02/22/2013	Roger Tsai



LED CONFIGURATION



RJMG2010SXX30NR

LED2 AND LED4 (RIGHT SIDE) SEE LED OPTIONS
 0- No LED (Blocked Hole)
 8- Bi-color Green/Orange (3 leads)
 9- Bi-color Green/Yellow (3 leads)

LED1 AND LED3 (LEFT SIDE) SEE LED OPTIONS
 0- No LED (Blocked Hole)
 8- Bi-color Green/Orange (3 leads)
 9- Bi-color Green/Yellow (3 leads)

ELECTRICAL CHARACTERISTICS

TEST NOTES(25±5°C)

1.TR: (100kHz,100mV)

PINS: (P8-P9): (J1-J2)=1: 1±3%; (P2-P3): (J3-J6)=1: 1±3%

PINS: (P4-P5): (J4-J5)=1: 1±3%; (P10-P11): (J7-J8)=1: 1±3%

2.LX: (100kHz,100mV,8mA DC Bias)

PINS: (P8-P9),(P2-P3),(P4-P5),(P10-P11)=350uH MINIMUM

3.DCR:

PINS: (J1-J2),(J3-J6),(J4-J5),(J7-J8)=1.2 OHMS MAXIMUM

4.HIPOT:

PINS: (P8-P9)TO(J1-J2),(P2-P3)TO(J3-J6)=1500Vrms

PINS: (P4-P5)TO(J4-J5),(P10-P11)TO(J7-J8)=1500Vrms

5.INSERTION LOSS:

-0.8dB MAXIMUM AT 1MHz-100MHz

-1.2dB MAXIMUM AT 100MHz-125MHz

6.RETURN LOSS

-18dB MINIMUM AT 0.5MHz TO 40MHz

-12+20log(f/80MHz)dB MINIMUM AT 40MHz TO 100MHz

7.CROSS TALK:

-33+20log(f/100MHz)dB MINIMUM AT 0.1MHz TO 100MHz

8.COMMON TO DIFFERENTIAL MODE REJECTION

-30dB MINIMUM AT 0.3MHz TO 100MHz

9.COMMON TO COMMON MODE REJECTION

-30dB MINIMUM AT 0.3MHz TO 100MHz

10: LED1&LED2

V_F(FORWARD VOLTAGE) IF=20mA GREEN 2.2V TYP,ORANGE 2.1V TYP,YELLOW 2.1V TYP

D(DOMINANT WAVELENGTH) IF=20mA,GREEN 565 TYP,ORANGE 605 TYP,YELLOW 590nm TYP



TOLERANCE	APPROVALS	DATE	TITLE			Amphenol [®]				
X. ±0.35	DRAWN Devin Yen	02/22/2013	RJMG2010 Series 1x1 1000 Base-T Series with LED options			Amphenol Corporation Amphenol Taiwan Corporation				
X.XX ±0.25									CHECKED Vivian Wen	02/22/2013
X.XXX ±0.15									APPROVED Roger Tsai	02/22/2013
ANGULAR ±1°	DWG TYPE CUST DWG	PROJECT CODE RJMG	UNIT mm	SCALE NA	SIZE A3	SHEET 2 OF 3	PART No. RJMG2010SXX30NR	REV. AX4		
UNLESS OTHERWISE SPECIFIED							DWG No. RJMG2010SXX30NR			

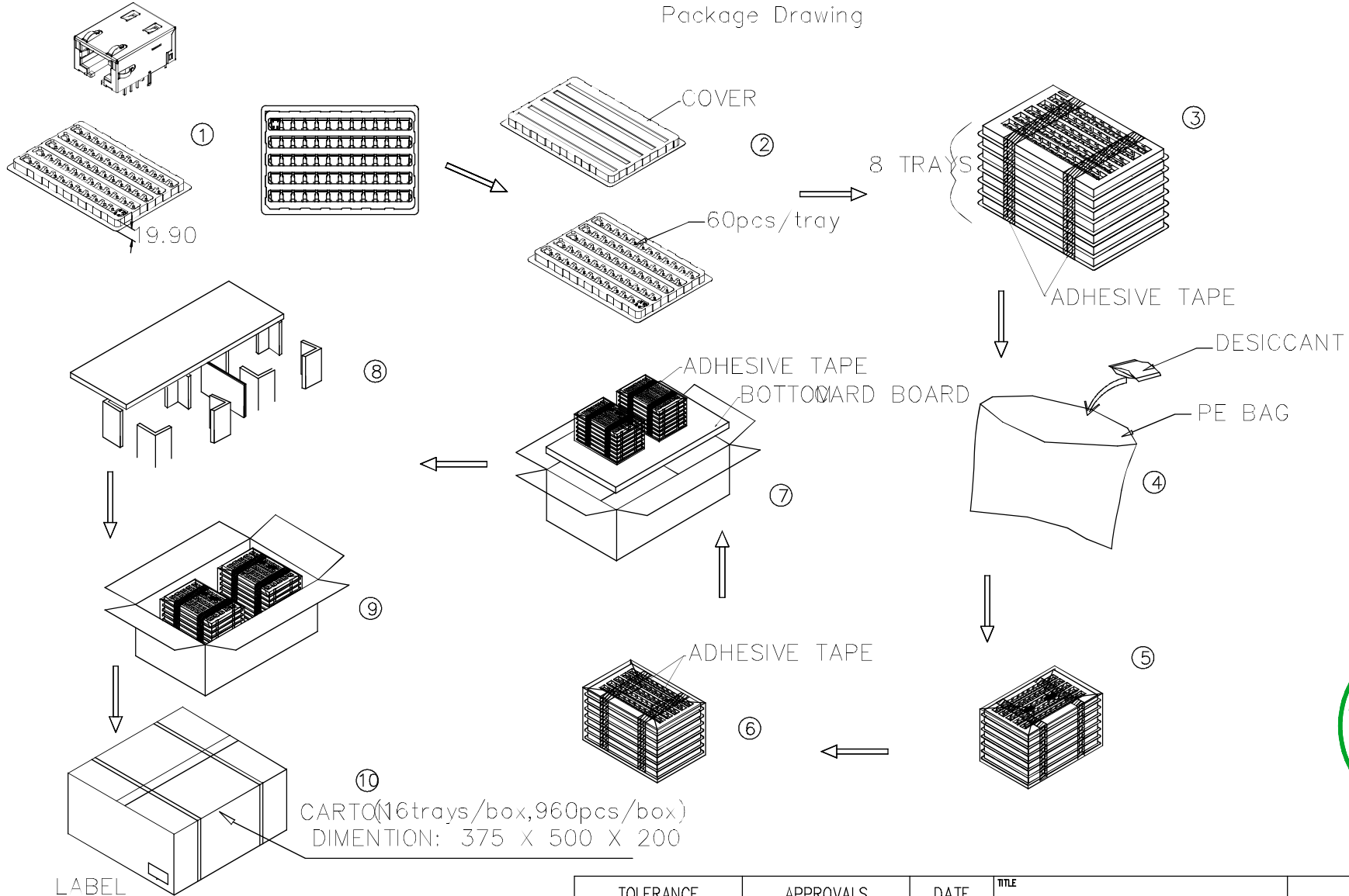
This document is the property of Amphenol Corporation and is delivered on the express condition that it is not to be disclosed, reproduced or used, in whole or in part, for manufacture or sale by anyone other than Amphenol Corporation without its prior consent, and that no right is granted to disclose or to use any information in this document.

The marking on this product doesn't contain environmental hazardous materials per Material Specification SS-00259 for Sony GP compliant or per directive 2011/65/EU for RoHS compliant.

CUSTOMER DRAWING

REVISIONS				
SYM	ECN No.	DESCRIPTION	DATE	APPROVED
AX1		NEW PROPOSAL DRAWING	11/08/2012	Tony Lin
AX2		ADD PACKAGE DRAWING	12/04/2012	Roger Tsai
AX3		UPDATE DOMINANT WAVELENGTH	01/14/2013	Roger Tsai
AX4		ADD THE LED CONFIGURATION	02/22/2013	Roger Tsai

Package Drawing



CARTON (16 trays/box, 960 pcs/box)
DIMENTION: 375 X 500 X 200

LABEL

TOLERANCE	APPROVALS	DATE	TITLE			Amphenol® Amphenol Corporation Amphenol Taiwan Corporation		
X. ±0.35	DRAWN Devin Yen	02/22/2013	RJMG2010 Series 1X1 1000 Base-T Series with LED options			PART No. RJMG2010SXX30NR		
X.XX ±0.25	CHECKED Vivian Wen	02/22/2013						
X.XXX ±0.15	APPROVED Roger Tsai	02/22/2013						
ANGULAR ±1°	DWG TYPE CUST DWG	PROJECT CODE RJMG		UNIT mm	SIZE A3	SHEET 3 OF 3		
UNLESS OTHERWISE SPECIFIED				SCALE NA		DWG No. RJMG2010SXX30NR REV. AX4		