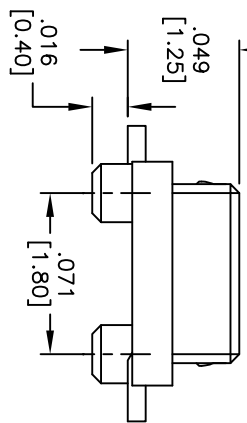
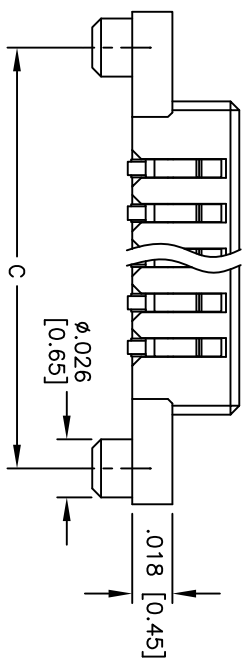
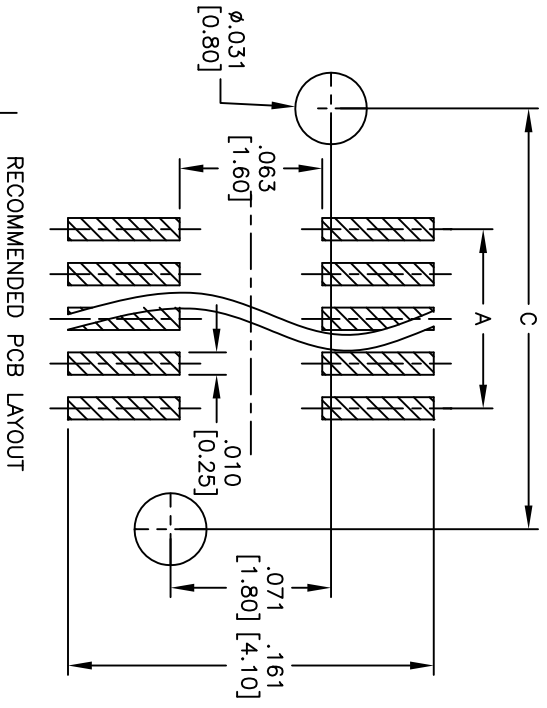
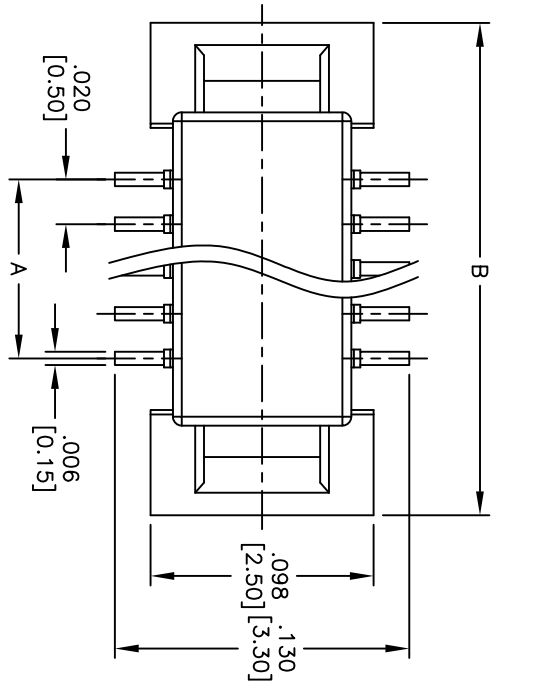


Rev	AWO #	Description	Date	Appr
-		RELEASED	12/07/10	

APPROVED: _____
 DATE: _____ TITLE: _____



PACKAGED ON TAPE & REEL

SPECIFICATIONS:
 Material: Insulator: Hi-temp thermoplastic, rated UL 94V-0
 Insulator color: Natural
 Contacts: Copper Alloy
 Hold down: Copper Alloy
 Plating: Gold flash over Nickel underplate overall.
 Electrical: Operating voltage: 50 VAC max
 Current rating: 0.5 Amps max
 Contact resistance: 40 mohms max. initial
 Insulation resistance: 500 Mohms min
 Environmental: Lead free, RoHS compliant
 Recommended soldering temp: 260°C for 5 seconds

Positions: 10 thru 60
 A = .020 [0.50] x (No. of Contacts per row - 1)
 B = .020 [0.50] x (No. of Contacts per row - 1) + .138 [3.50]
 C = .020 [0.50] x (No. of Contacts per row - 1) + .106 [2.70]

ADAM TECH

909 Rahway Avenue, Union, NJ 07083
 Phone: 908-687-5000 Fax: 908-687-5710

TITLE: .020 [0.50] BOARD TO BOARD PLUG, SMT TYPE
 1.25MM HEIGHT, STACKING HEIGHT=1.5MM

A
 Gold flash over Nickel underplate overall.
 Electrical: Operating voltage: 50 VAC max
 Current rating: 0.5 Amps max
 Contact resistance: 40 mohms max. initial
 Insulation resistance: 500 Mohms min
 Environmental: Lead free, RoHS compliant
 Recommended soldering temp: 260°C for 5 seconds



UNLESS OTHERWISE SPECIFIED ALL DIMENSIONS ARE INCHES [MM]	
TOLERANCES: EXCEPT AS NOTED	
INCHES	HOLDS
.X ± .10	ØXX ± .10
.XX ± .020	ØXXX ± .015
.XXX ± .015	ØXXXX ± .010
APPROVALS	DATE
DRAWN	DRY
CHECKED	
APPROVED	

SIZE	PART NO.	REV.
X	BB5-PE-XX-G-1.25-T/R	-
REF: S0028T	SCALE: NTS	SHEET 1 OF 1