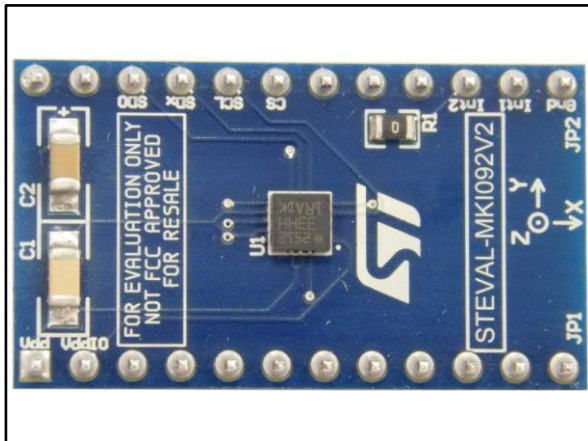


LIS331HH adapter board for standard DIL24 socket

Data brief



Features

- Complete LIS331HH pinout for a standard DIL24 socket
- Fully compatible with all other available adapter boards
- RoHS compliant

Description

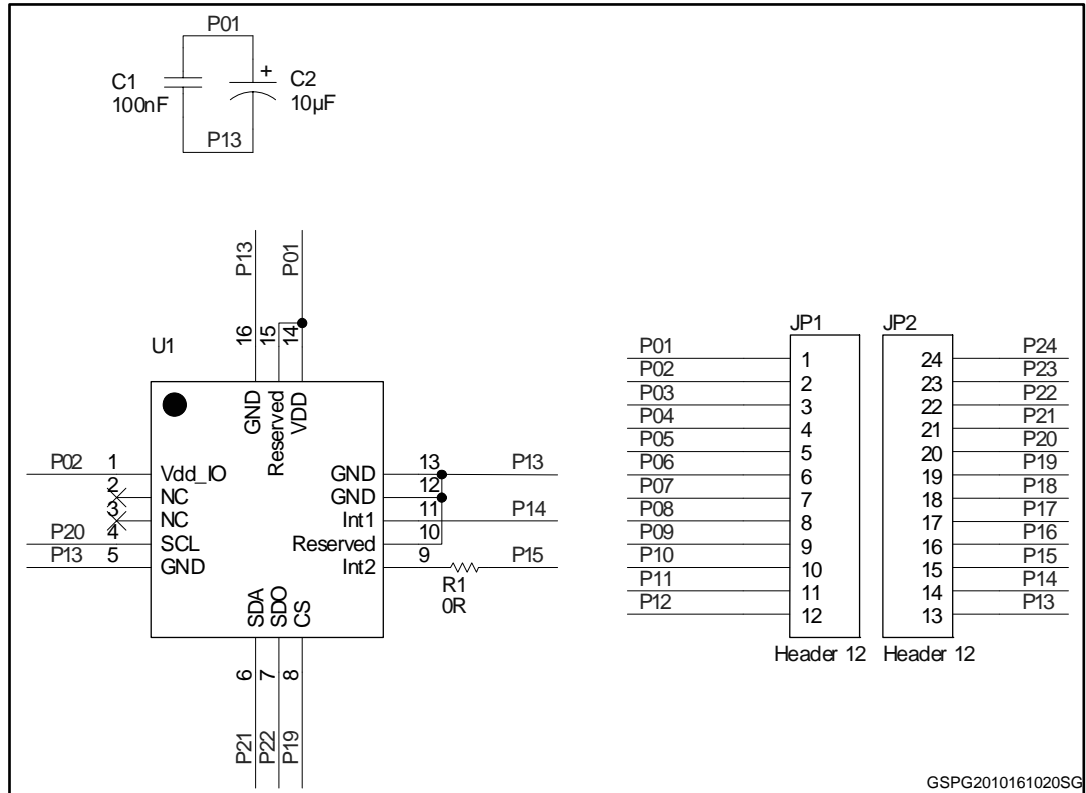
The STEVAL-MKI092V2 adapter board is designed to facilitate the evaluation of MEMS devices in the LIS331HH product family. The board offers an effective solution for fast system prototyping and the evaluation of device performance in specific user applications.

The STEVAL-MKI092V2 can be plugged into a standard DIL24 socket. The adapter provides the complete LIS331HH pinout and comes ready-to-use with the required decoupling capacitors on the V_{DD} power supply line.

The pinout of the adapter is fully compatible with all other available adapter boards, making it possible to easily switch from one sensor to another during device evaluation without the need for board redesign.

1 Schematic diagram

Figure 1: STEVAL-MKI092V2 adapter board circuit schematic



2 Revision history

Table 1: Document revision history

Date	Version	Changes
25-Oct-2016	1	Initial release.

IMPORTANT NOTICE – PLEASE READ CAREFULLY

STMicroelectronics NV and its subsidiaries ("ST") reserve the right to make changes, corrections, enhancements, modifications, and improvements to ST products and/or to this document at any time without notice. Purchasers should obtain the latest relevant information on ST products before placing orders. ST products are sold pursuant to ST's terms and conditions of sale in place at the time of order acknowledgement.

Purchasers are solely responsible for the choice, selection, and use of ST products and ST assumes no liability for application assistance or the design of Purchasers' products.

No license, express or implied, to any intellectual property right is granted by ST herein.

Resale of ST products with provisions different from the information set forth herein shall void any warranty granted by ST for such product.

ST and the ST logo are trademarks of ST. All other product or service names are the property of their respective owners.

Information in this document supersedes and replaces information previously supplied in any prior versions of this document.

© 2016 STMicroelectronics – All rights reserved