

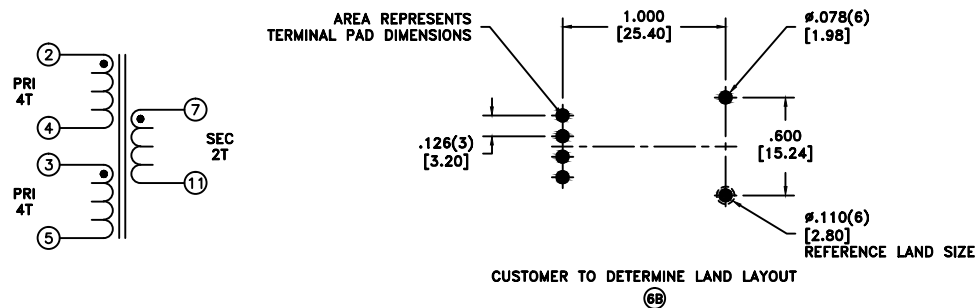
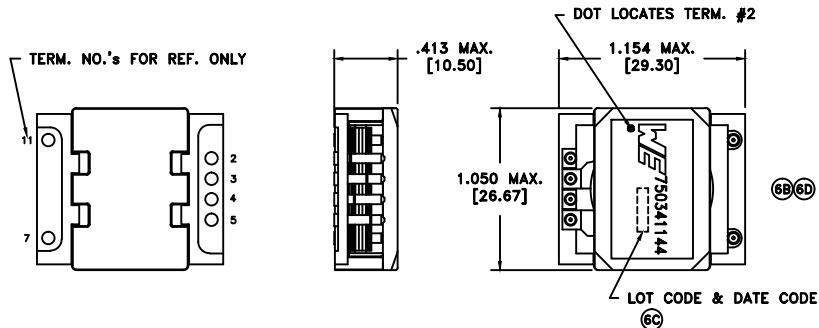
CUSTOMER TERMINAL	RoHS	LEAD(Pb)-FREE
Au100%	Yes	Yes

more than your expect



ELECTRICAL SPECIFICATIONS @ 25°C unless otherwise noted:

PARAMETER	TEST CONDITIONS	VALUE
D.C. RESISTANCE	2-4 @20°C	5 mOhms max.
D.C. RESISTANCE	3-5 @20°C	5 mOhms max.
D.C. RESISTANCE	7-11 @20°C	1.2 mOhms max.
INDUCTANCE	2-5 tie(3+4), 100kHz, 100mVAC, Ls	260.0uH min.
LEAKAGE INDUCTANCE	2-5 tie(3+4, 7+11), 100kHz, 100mVAC, Ls	650nH max.
DIELECTRIC	2-7 tie(3+4), 2250VDC, 1 second	-
URNS RATIO	(2-4):(7-11)	2:1, ±1%
URNS RATIO	(3-5):(7-11)	2:1, ±1%



GENERAL SPECIFICATIONS:

OPERATING TEMPERATURE RANGE: -40°C to +125°C including temp rise.

REV.	DATE	Packaging Specifications		Tolerances unless otherwise specified: Angles: ±1° Decimals: ±.005 [.13] Fractions: ±1/64 Footprint: ±.005 [.13]	DRAWING TITLE	PART NO.
6D	4/14	Method: Tape & Reel				
6C	11/12	PKG-0793	SEE REVISION SHEET FOR REVISION LEVEL			
6B	4/12	www.we-online.com/midcom				
6A	10/11					

