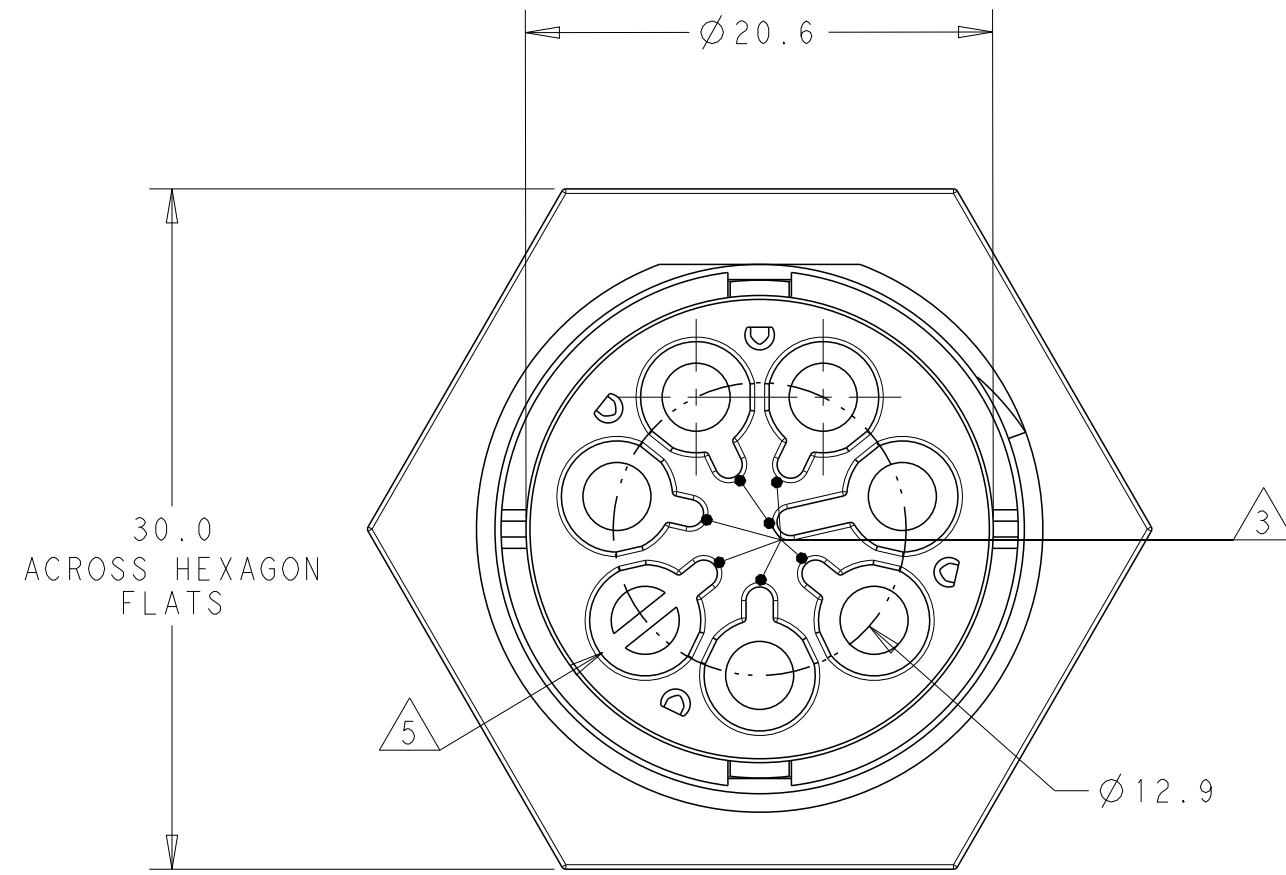


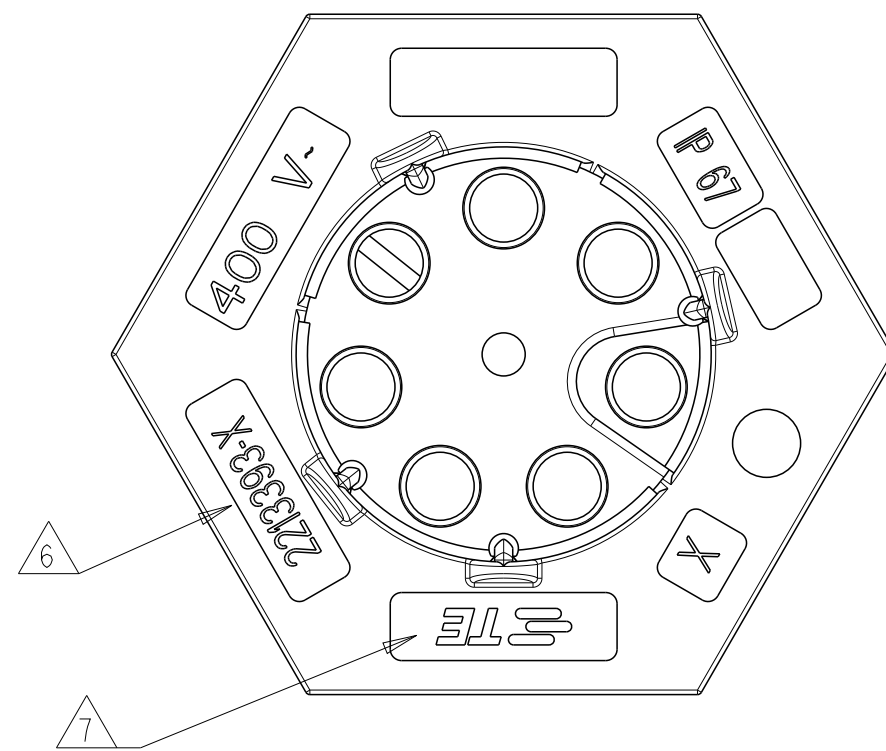
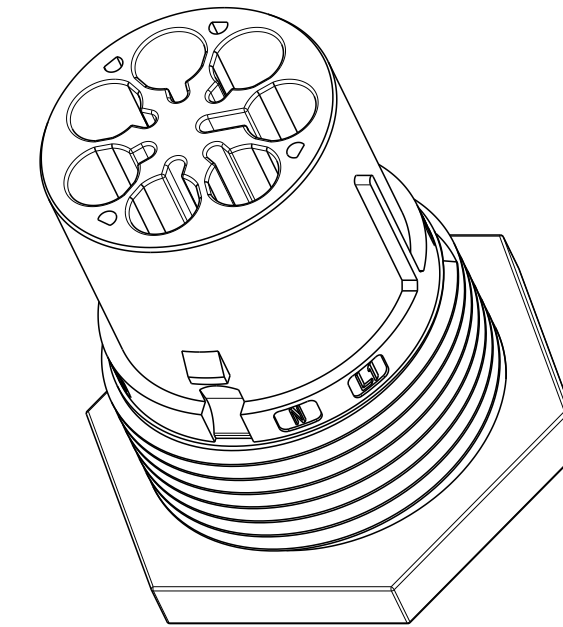
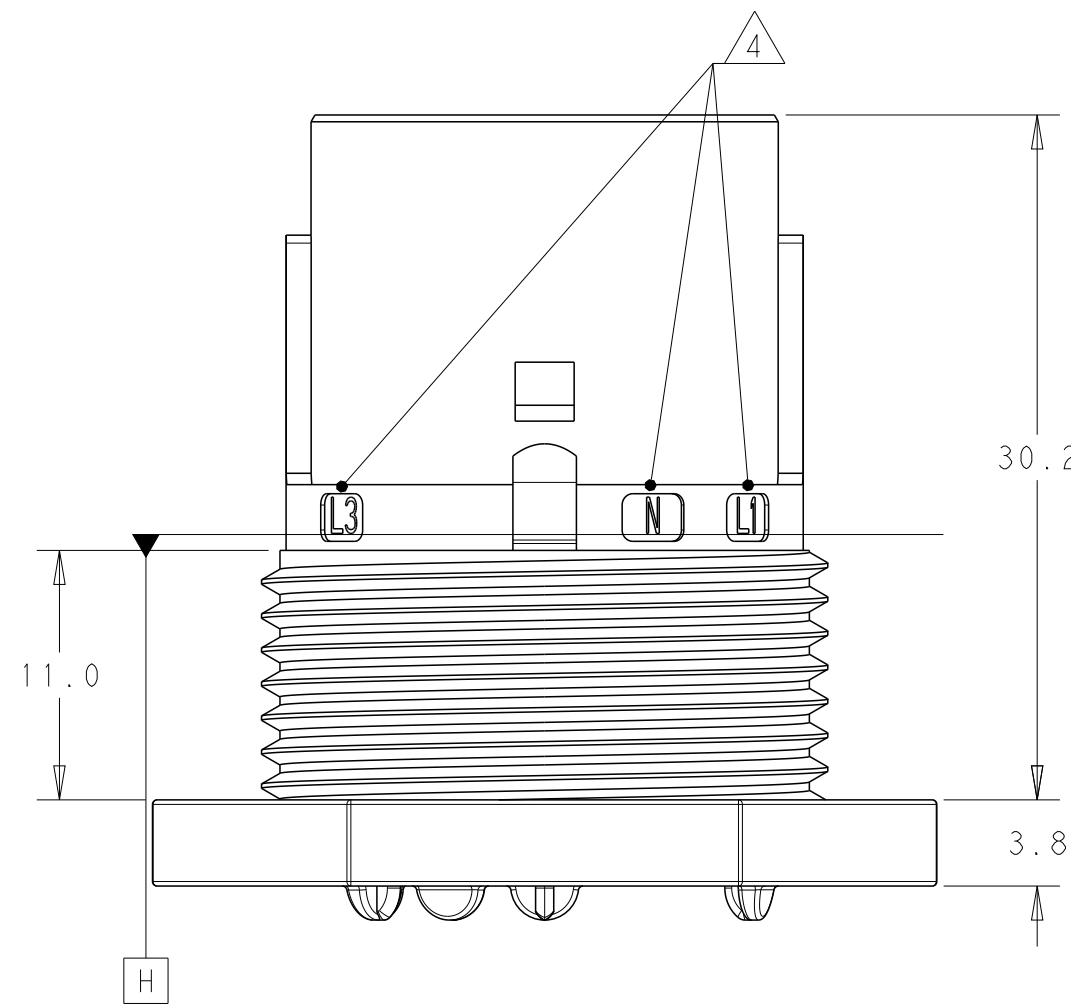
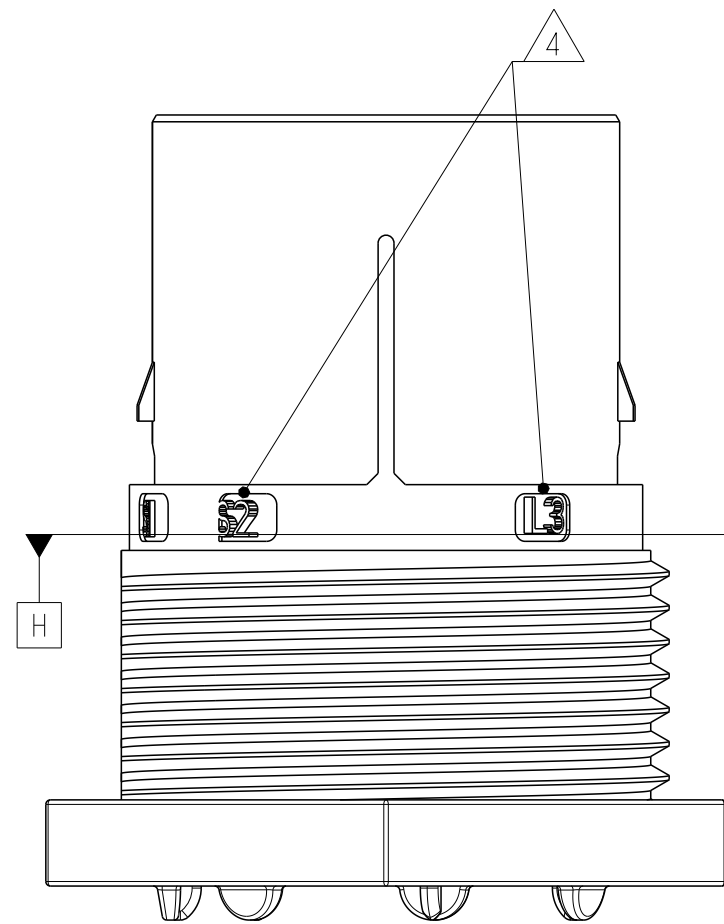
THIS DRAWING IS UNPUBLISHED. RELEASED FOR PUBLICATION 20
 © COPYRIGHT 20 BY - ALL RIGHTS RESERVED.

REVISIONS				
P	LTR	DESCRIPTION	DATE	APVD
	A	REVISED AS PER ECR-15-005925	21APR2015	RS JL



NOTES:

1. MATERIAL: GLASS FILLED PBT, COLOR: BLACK
2. MUST COMPLY WITH DIRECTIVE 2002/95/EC (ROHS)
- 3 ALL POLARIZATION KEYS SHOWN FOR REF ONLY.
- 4 CIRCUIT I.D.
- 5 CIRCUIT "L3" IS BLOCKED TO PREVENT CONTACTS INSTALLATION.
- 6 TE PART NUMBER.
- 7 TE LOGO
8. THIS PRODUCT HAS NOT COMPLETED VALIDATION TESTING



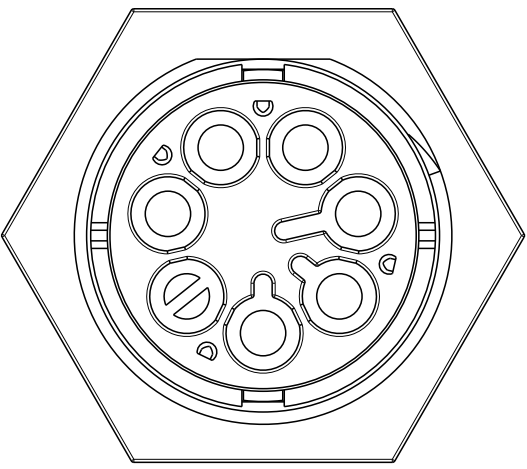
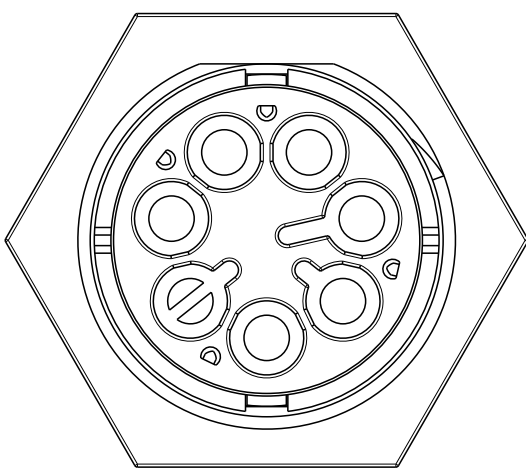
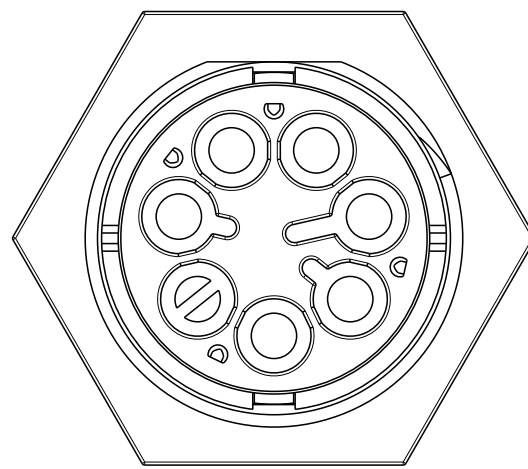
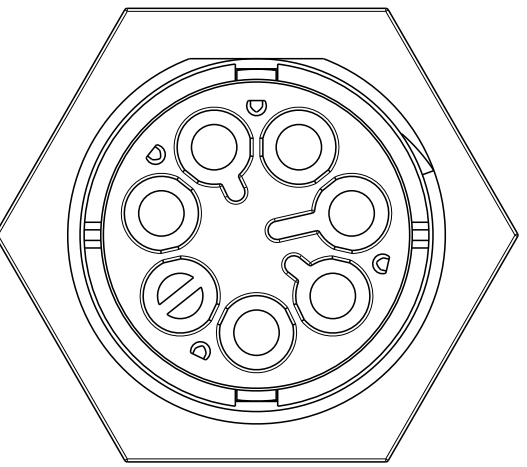
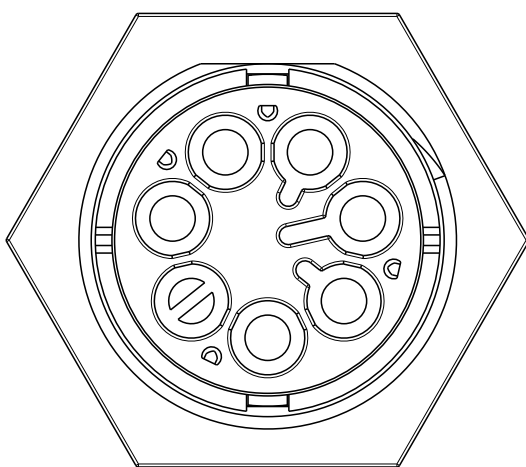
POLARIZATION TYPE	DESCRIPTION	PART NUMBER
E	PANEL MT PIN. SEALED NECTOR M, 6 POLE	2213393-5
D	PANEL MT PIN. SEALED NECTOR M, 6 POLE	2213393-4
C	PANEL MT PIN. SEALED NECTOR M, 6 POLE	2213393-3
B	PANEL MT PIN. SEALED NECTOR M, 6 POLE	2213393-2
A	PANEL MT PIN. SEALED NECTOR M, 6 POLE	2213393-1

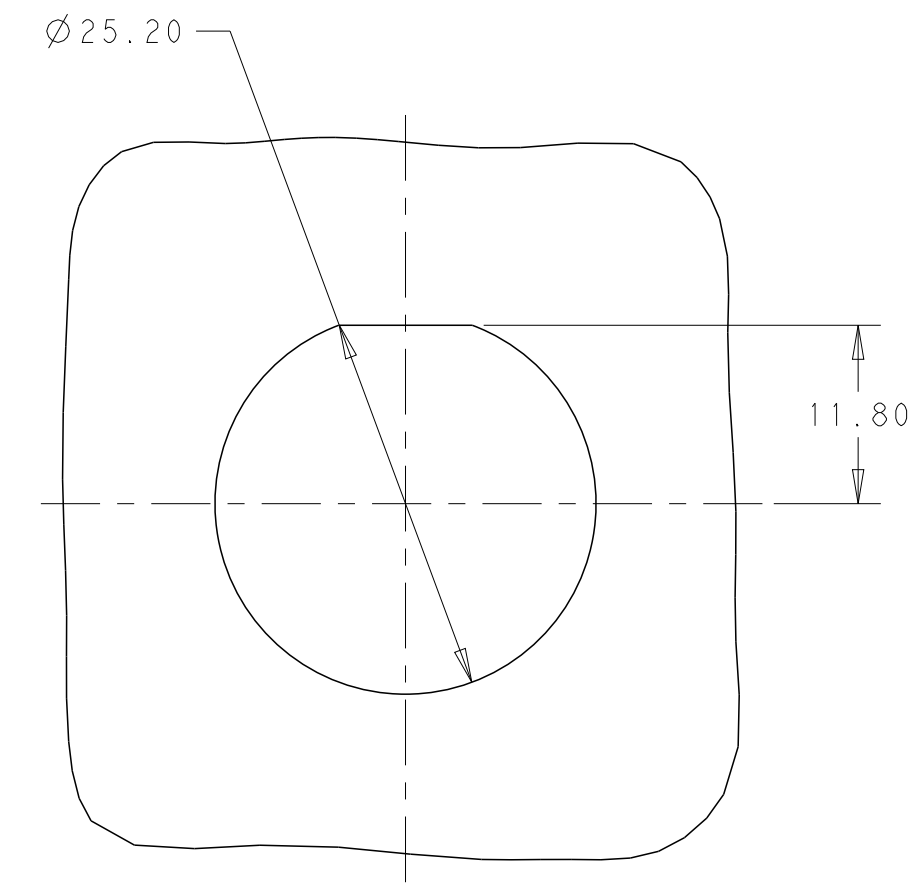
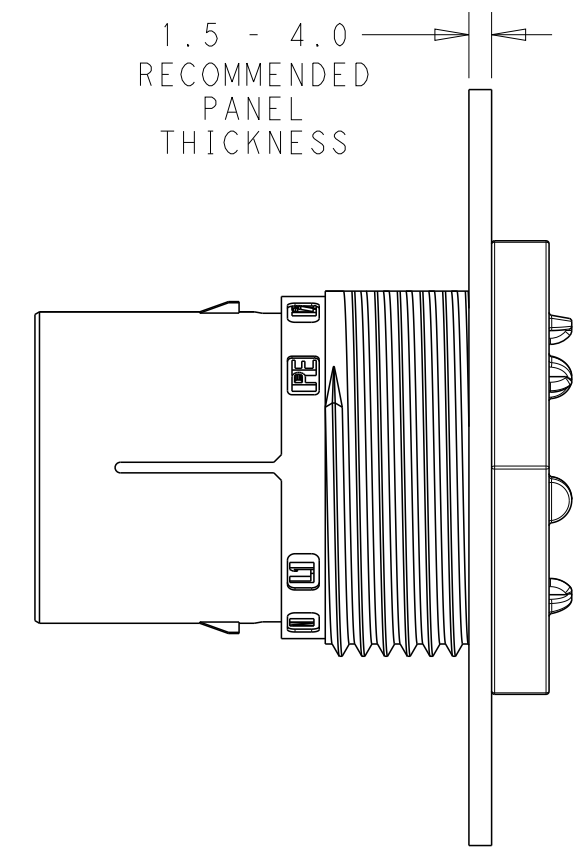
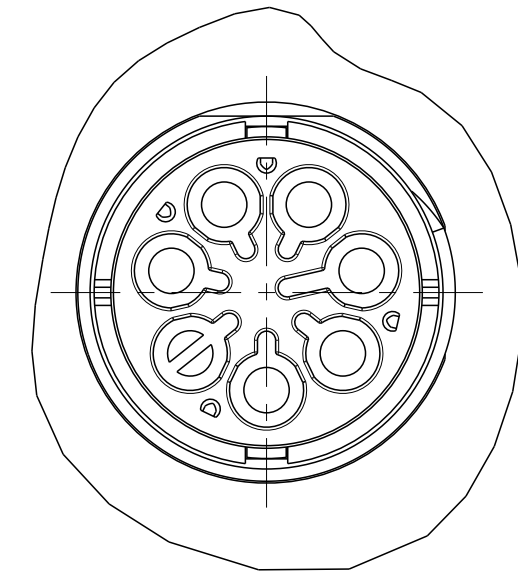
THIS DRAWING IS A CONTROLLED DOCUMENT.		DWN J. SHAFFER 21 JAN 2014	TE Connectivity	
DIMENSIONS: mm		CHK M. LUKSIC 21 JAN 2014		
TOLERANCES UNLESS OTHERWISE SPECIFIED:		APVD M. LUKSIC 21 JAN 2014	NAME PANEL MOUNT, PIN; SEALED NECTOR M-LINE, 6 POLE	
0 PLC ±		PRODUCT SPEC 108-133014	SIZE A2	
1 PLC ±0.2		APPLICATION SPEC 114-32111	CAGE CODE -	
2 PLC ±0.13		WEIGHT -	DRAWING NO. C-2213393	
3 PLC ±		Customer Drawing	RESTRICTED TO -	
4 PLC ±		SCALE 2:1	SHEET 1 OF 2	
ANGLES ±			REV A	
FINISH -				
NOTE 1 -				

THIS DRAWING IS UNPUBLISHED. RELEASED FOR PUBLICATION 20
 © COPYRIGHT 20 BY - ALL RIGHTS RESERVED.

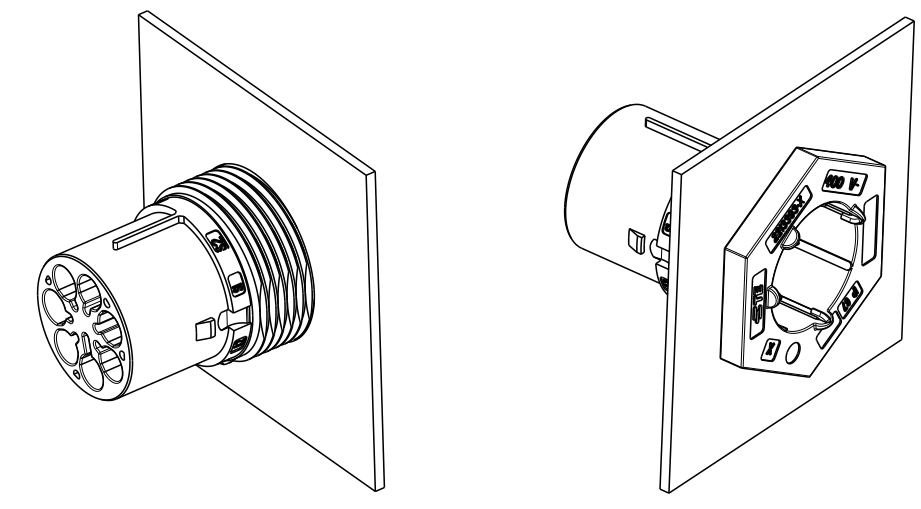
REVISIONS				
P	LTR	DESCRIPTION	DATE	APVD
-		SEE SHEET 1	-	-

POLARIZATION TYPES

POLARIZATION TYPE "A"	POLARIZATION TYPE "B"	POLARIZATION TYPE "C"
		
PN: 2213393-1	PN: 2213393-2	PN: 2213393-3
POLARIZATION TYPE "D"	POLARIZATION TYPE "E"	
		
PN: 2213393-4	PN: 2213393-5	



RECOMMENDED PANEL CUTOUT



3D VIEWS FOR REFERENCE ONLY

THIS DRAWING IS A CONTROLLED DOCUMENT.		DWN J. SHAFFER 21 JAN 2014	STE TE Connectivity	
DIMENSIONS: mm		CHK M. LUKSIC 21 JAN 2014		
TOLERANCES UNLESS OTHERWISE SPECIFIED:		APVD M. LUKSIC 21 JAN 2014	NAME PANEL MOUNT, PIN; SEALED NECTOR M-LINE, 6 POLE	
0 PLC ±	1 PLC ±0.2	PRODUCT SPEC 108-133014	SIZE A2	
2 PLC ±0.13	3 PLC ±	APPLICATION SPEC 114-32111	CAGE CODE -	DRAWING NO. C-2213393
4 PLC ±	ANGLES ±	WEIGHT -	RESTRICTED TO -	
MATERIAL NOTE 1	FINISH -	Customer Drawing	SCALE 2:1	SHEET 2 OF 2 REV A