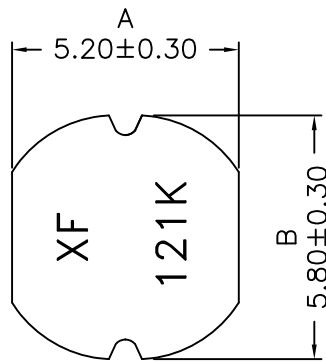
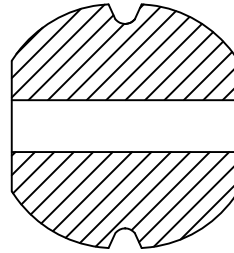


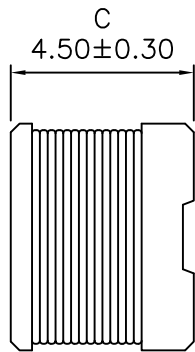
### 1. Mechanical Dimensions:



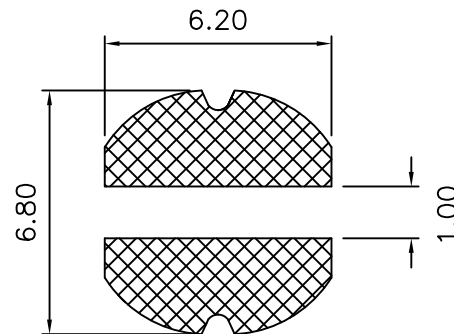
TOP VIEW



BOTTOM VIEW

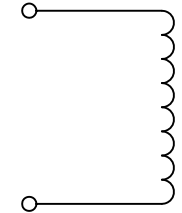


SIDE VIEW



SUGGESTED PAD LAYOUT

### 2. Schematic:



### 3. Electrical Specifications: @25C

OCL: 120uH±10% @100KHz 0.1V

Q: 8 Min @100KHz 0.1V

DCR: 0.930 Ohms Max

DC Current: 0.48A<sub>dc</sub> Max

Notes:

1. Solderability: Leads shall meet MIL-STD-202G, Method 208H for solderability.
2. Flammability: UL94V-0
3. ASTM oxygen index: > 28%
4. Insulation System: Class F 155°C. UL file E151556
5. Operating Temperature Range: All listed parameters are to be within tolerance from -40°C to +85°C
6. Storage Temperature Range: -55°C to +125°C
7. Aqueous wash compatible
8. SMD Lead Coplanarity: ±0.004"(0.102mm)
9. Electrical and mechanical specifications 100% tested
10. RoHS Compliant Component
11. Recommended IR Reflow peak temp of 250C Max.

DOC REV: A/1

<b>XFMRs Inc</b> www.XFMRS.com	Title: <b>SMD Inductor</b>		
	UNLESS OTHERWISE SPECIFIED TOLERANCES: .xx ±0.30 Dimensions in MM	P/N: XFSDR54-121K	REV A
	CHK. YK Liao Jun-29-13		
SHEET 1 OF 1	APP. BSJ		Jun-29-13