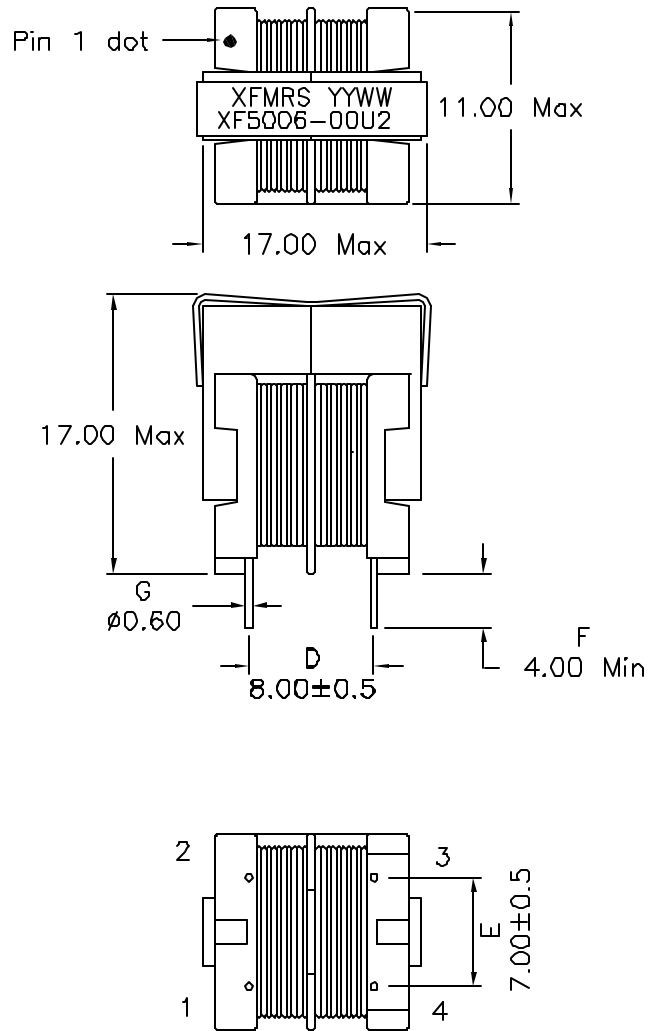
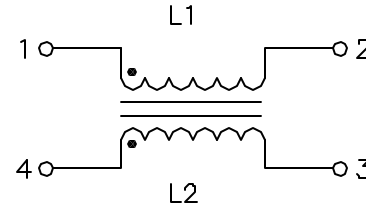


1. Dimensions:



(BOTTOM VIEW)

2. Schematic:



3. Electrical Specifications:

- Inductance: 500uH Min @1KHz 1.0V Each Wdg.
- DCR: 0.120 Ohms Max Each Wdg.
- Rated Current: 1.50Aac
- Rated Voltage: 250Vac
- Hipot: 3750Vrms Wdg to Wdg

Notes:

- Solderability: Leads shall meet MIL-STD-202G, Method 208H for solderability.
- Flammability: UL94V-0
- ASTM oxygen index: > 28%
- Insulation System: Class F 155°C. UL file E151558
- Operating Temperature Range: All listed parameters are to be within tolerance from -40°C to +85°C
- Storage Temperature Range: -55°C to +125°C
- Aqueous wash compatible
- Electrical and mechanical specifications 100% tested
- RoHS Compliant Component

DOC. REV. A/1

PROPRIETARY

Document is the property of XFMR5 Group & is not allowed to be duplicated without authorization.

XFMR5 Inc www.XFMR5.com		Title: AC LINE FILTER	
UNLESS OTHERWISE SPECIFIED TOLERANCES: .xx ±0.25 Dimensions in MM	P/N: XF5006-00U2	REV. A	
	DWN.	廖玉坤	May-05-08
SHEET 1 OF 1	CHK.	李清儿	May-05-08
	APP.	EW	May-05-08