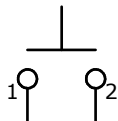


PANEL MOUNTING

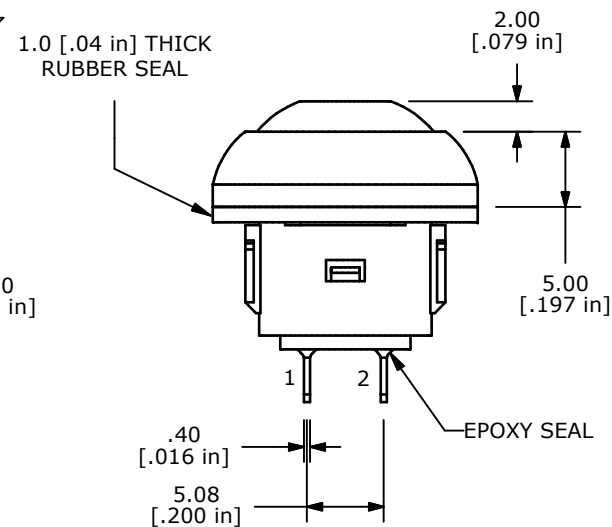
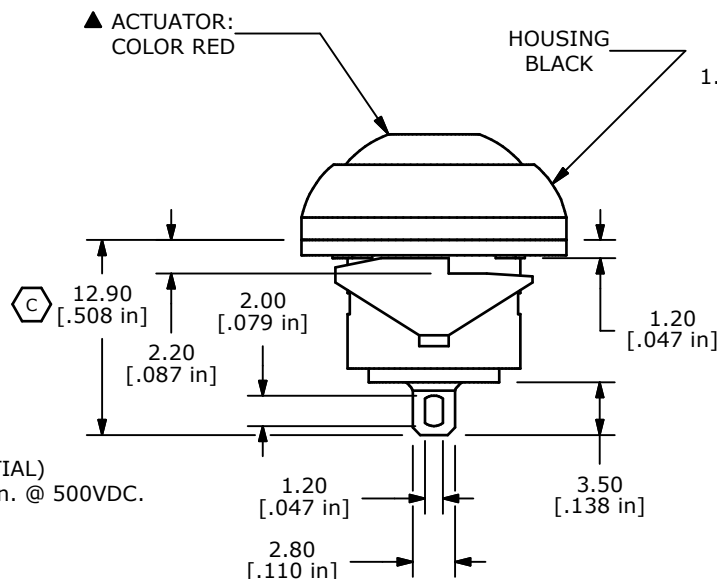
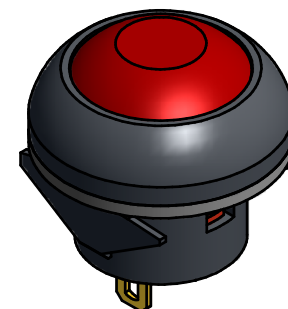
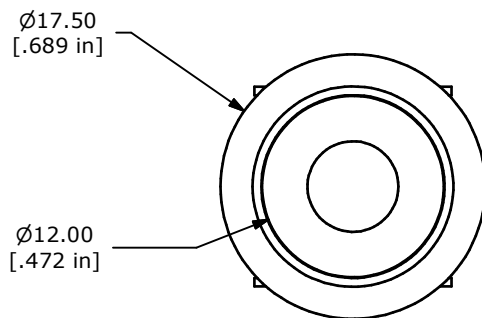


▲CIRCUIT: SPST
OFF-(ON)
MOMENTARY (B)

- NOTE:
1. ALL DIMENSIONS IN MM [INCH]
 2. GENERAL TOLERANCE: X.X=±0.4
X.XX=±0.25
 3. TERMINAL NUMBERS FOR REF ONLY
 4. CIRCUIT: SPST OFF-MOMENTARY ON
 5. CONTACT MATERIAL: GOLD over SILVER
 - ▲6. RATING: 125mA @ 125 VAC
100mA @ 50 VDC
 - ▲7. ELECTRIC LIFE: 500,000 CYCLES AT FULL LOAD
 8. CONTACT RESISTANCE: 50 milli-OHM max. (INITIAL)
 9. INSULATION RESISTANCE: 1,000 MEGA-OHM min. @ 500VDC.
 10. DIELECTRIC STRENGTH: 1,000 VAC rms.
 - ▲11. OPERATING FORCE: 350 gf +/- 150 gf
 12. OPERATING TEMPERATURE: -30°C TO +85°C.
 13. CONTACT BOUNCE: 10ms MAX.
 - ▲14. TRAVEL: 1.5mm
 15. PANEL THICKNESS RANGE: 0.8 - 1.8 mm.
 16. ▲DENOTES CRITICAL PARAMETER.
 17. 2002/95/EC (ROHS) COMPLIANT
 18. HARDWARE INCLUDED:

1. T081100 RUBBER SEAL (1)

(B) 19. SEAL RATING: IP67 AT THE FRONT PANEL (D)



D	21593	CHANGE NOTE 19: IP67 WAS IP65	9/24/14	EBP
C	19489	CORRECT NOTE & DIM / DWG CLEAN-UP	12/01/10	BMA
B	19358	MISC. DRAWING UPDATES	10/25/10	BMA
A	17947	RELEASE FOR PRODUCTION	2/7/08	BLR
REV	PCR NO	DESCRIPTION	DATE	BY

THE INFORMATION CONTAINED IN THIS DOCUMENT IS PROPRIETARY TO E-SWITCH AND IS NOT TO BE COPIED OR TRANSFERRED



TITLE RP8100B1M1CEBLKREDNIL

SCALE	DATE	DR	DWG	REV
2 : 1	2/7/2008	BLR	ST081025	D