

DETAILS

Product Number	CA13612_G2-OSS-2-SS
Family	Rose
Type	Assembly
Color	white
Diameter	21,6*21,6 mm
Height	13,9 mm
Style	square
Optic Material	PMMA
Holder Material	
Fastening	tape
Status	production ready
ROHS Compliant	Yes
Date Updated	5/01/2018

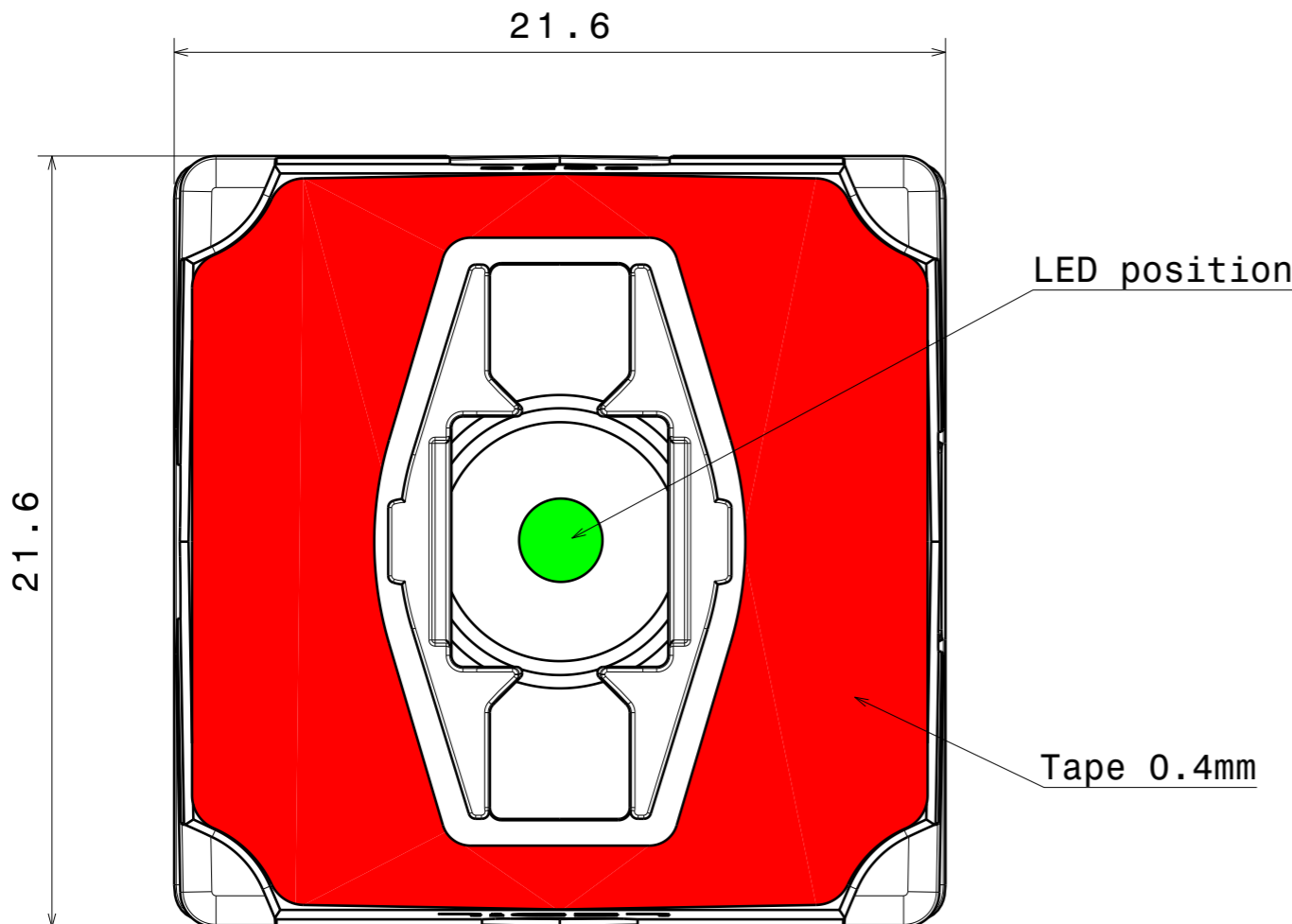
OPTICAL PROPERTIES

LED	Viewing Angle	Light Beam	Effi- ciency	cd/lm	Connector
Golden Dragon+	12 deg	Smooth spo...	92 %	16.000	-

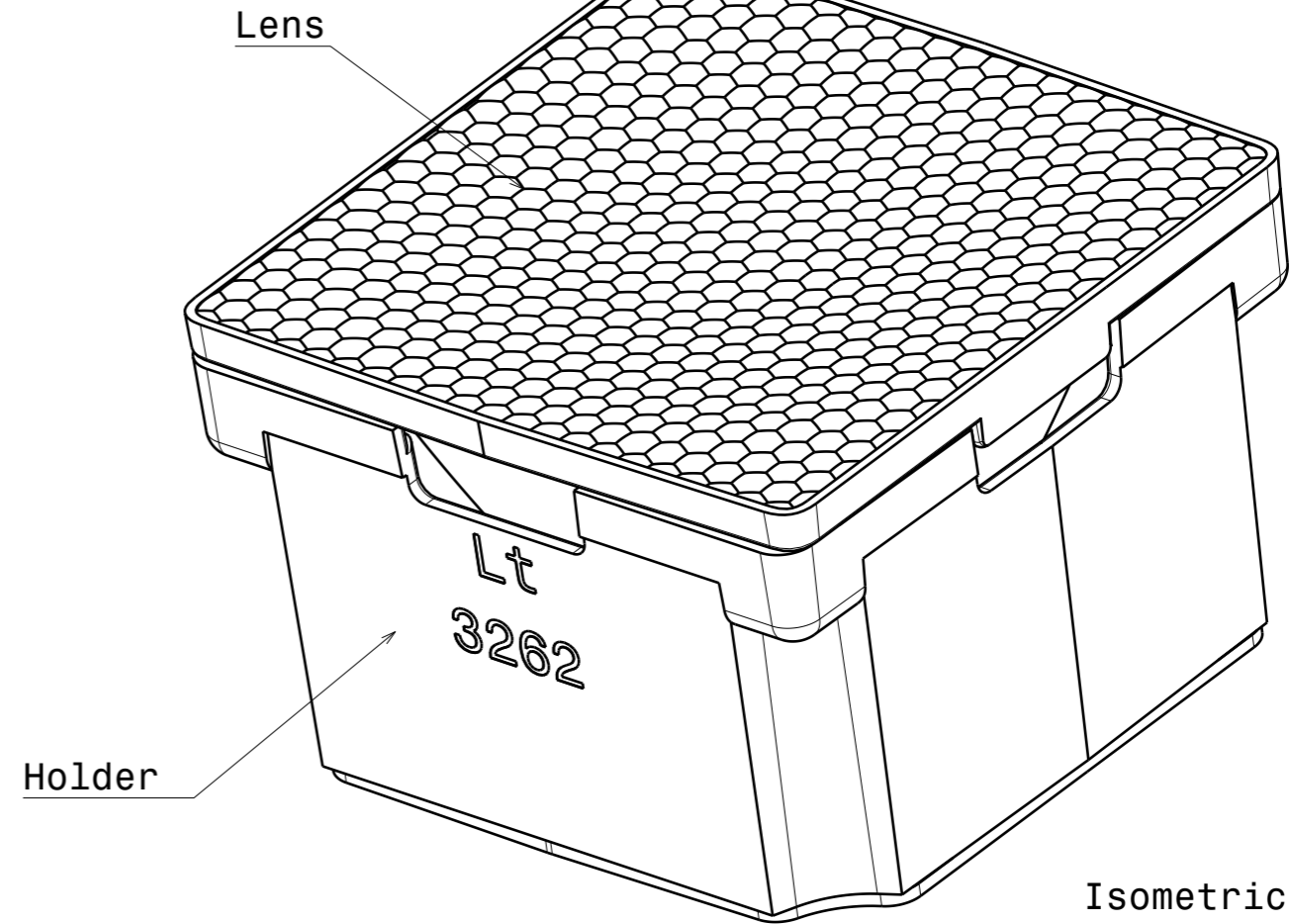


H G F E D C B A

4



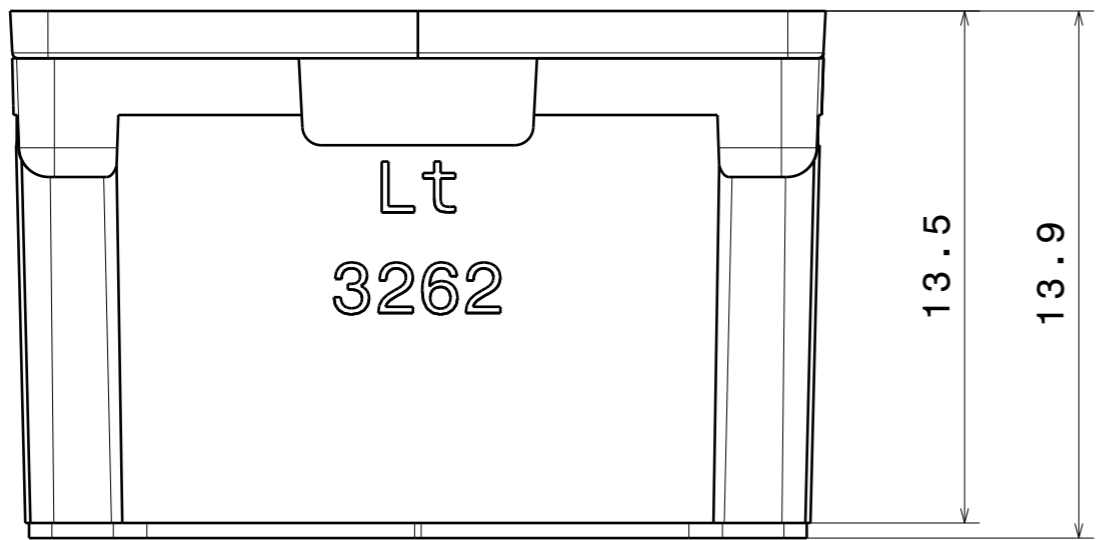
Bottom view



Isometric view
Scale: 5:1

3

2



Front view

COMPONENTS

CA13612_G2-OSS-2-SS_

INDEX	PART	TYPE	MATERIAL	COLOR / COATING
1	C10278_ROSE-TAPE		Tape	
2	C10519_ROSE2-SS		PMMA	
3	C13262_ROSE-Lt-HLD			white

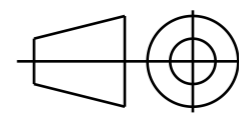
MECHANICAL DRAWING

PRODUCT
ROSE

LEDiL®

Plastic molding general tolerances are based on DIN 16901-130 and applies if not otherwise shown in drawing. Silicone molding general tolerances are based on ISO 3302-1 Class M3 and applies if not otherwise shown in the drawing.

FIRST ANGLE PROJECTION:



This drawing is the property of LEDiL Oy. It may not be reproduced, copied or communicated without a written agreement with LEDiL Oy.

SCALE 5:1

WEIGHT -

A3 SHEET 1/1

Notes

- PCB or heatsink level.
- LED location.
- Ensure LED fitting from a product specific 3D model available from www.ledil.com.

H G B A

4

3

2

1

NOTE: The typical divergence will be changed by different color, chip size and chip position tolerance. The typical total divergence is the full angle measured where the luminous intensity is half of the peak value.