

# KR Electronics, Inc.

## General Description

KR Electronics part number 3204-SMA is a 1087.5 MHz band-pass filter. The filter has a min 3 dB bandwidth of 255 MHz. Other center frequencies and are bandwidths available. Please consult the factory.

### Features

- 1087.5 MHz Bandpass
- 3 dB Bandwidth 255 MHz min  
320 MHz typical
- 50  $\Omega$  Source and Load
- SMA Connectors
- Surface Mount Available

## Typical Performance

### Overall Response (10 dB/div)

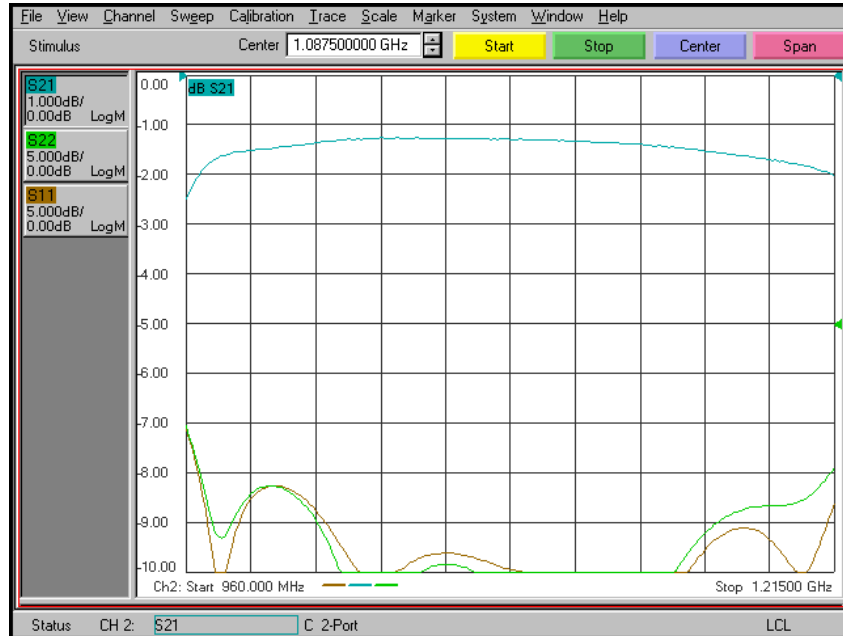


KR Electronics, Inc.  
91 Avenel Street  
Avenel, NJ 07001

Web [www.krfilters.com](http://www.krfilters.com)  
Email [sales@krfilters.com](mailto:sales@krfilters.com)  
Phone (732) 636-2500  
Fax (732) 636-2582

## Typical Performance

### Passband Amplitude & Return Loss (1 dB/div & 5 dB/div)



### Overall Response (10 dB/div)

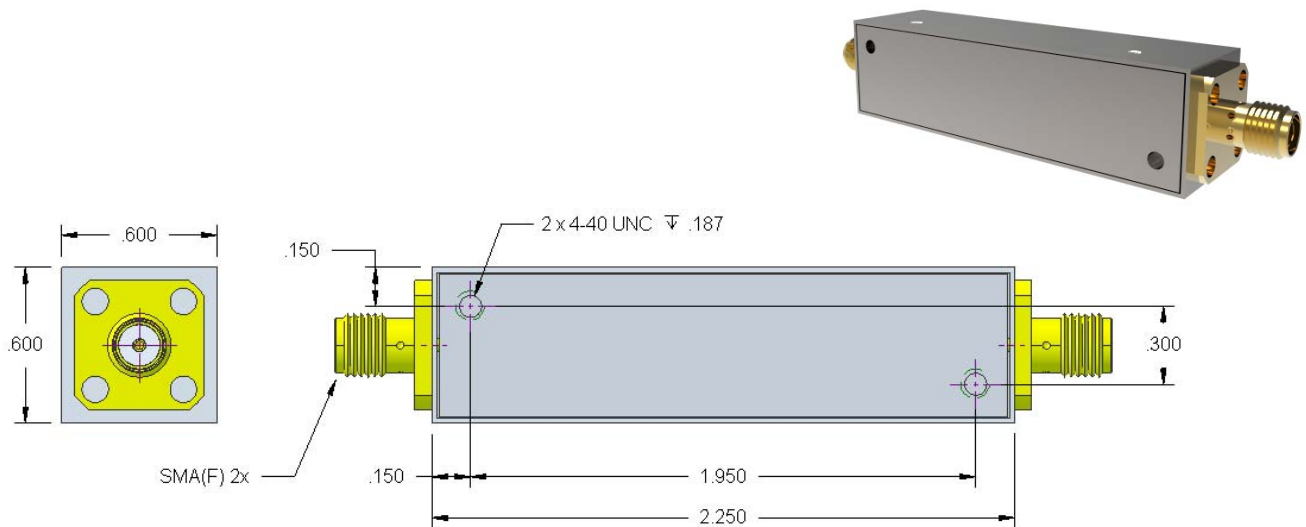


# KR Electronics 3204-SMA

## Specifications

Parameter	Specification	
Filter type	Bandpass	
Center Frequency	1087.5 MHz	
Insertion Loss	2.5 dB max	1.25 dB typical
1 dB Bandwidth	258 MHz typical	
3 dB Bandwidth	255 MHz min	320 MHz typical
40 dB Bandwidth	582 MHz typical	
60 dB Bandwidth	872 MHz typical	
Source and Load	50 $\Omega$	

## Physical Dimensions



### Notes:

1. Dimensions in inches
2. Rectangular case
3. Also available in surface mount package see part number 3204

KR Electronics, Inc.  
91 Avenel Street  
Avenel, NJ 07001

Web [www.krfilters.com](http://www.krfilters.com)  
Email [sales@krfilters.com](mailto:sales@krfilters.com)  
Phone (732) 636-2500  
Fax (732) 636-2582