

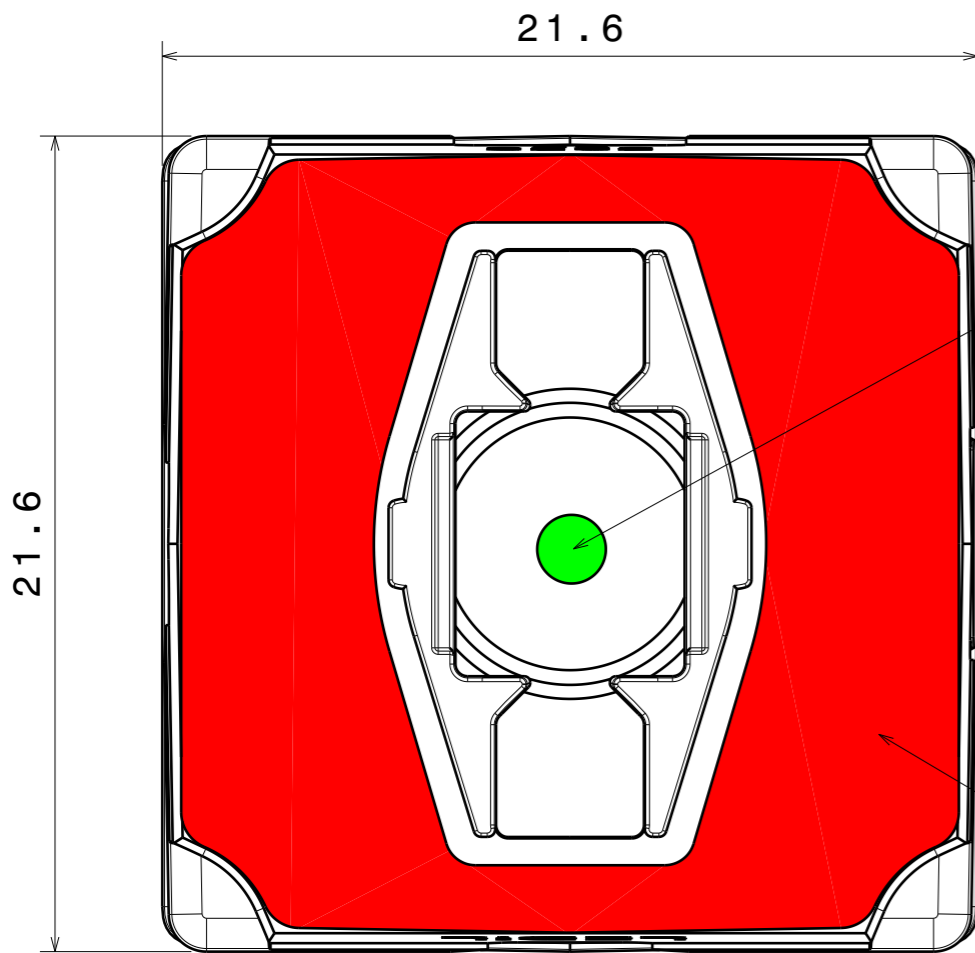
## DETAILS

<b>Product Number</b>	CA13613_G2-OSS-2-RS
<b>Family</b>	Rose
<b>Type</b>	Assembly
<b>Color</b>	white
<b>Diameter</b>	21,6*21,6 mm
<b>Height</b>	13,9 mm
<b>Style</b>	square
<b>Optic Material</b>	PMMA
<b>Holder Material</b>	
<b>Fastening</b>	
<b>Status</b>	production ready
<b>ROHS Compliant</b>	Yes
<b>Date Updated</b>	5/01/2018

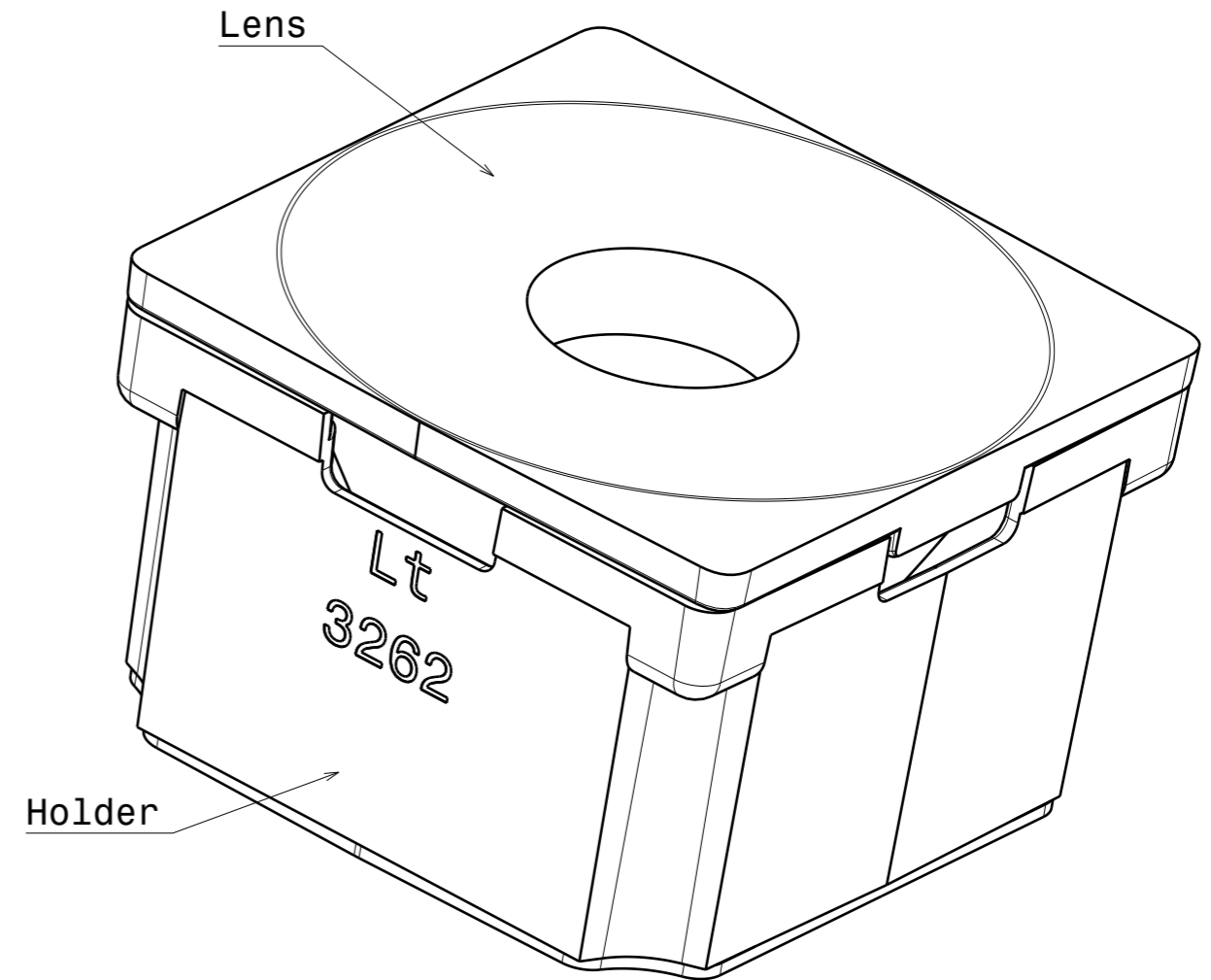
## OPTICAL PROPERTIES

LED	Viewing	Light	Effi-		Connector
	Angle	Beam	ciency	cd/lm	
LUXEON 5050	sim: 17	Real spot	sim: 93 %	sim: 6.240	-
Golden Dragon+	7 deg	Real spot	-	35.500	-
OSCONIQ P 3737 (2W version)	sim: 10	Real spot	sim: 94 %	sim: 17.150	-
Duris S8	sim: 16	Real spot	sim: 92 %	sim: 5.910	-
Z5M1/Z5M2	sim: 10	Real spot	sim: 93 %	sim: 19.300	-

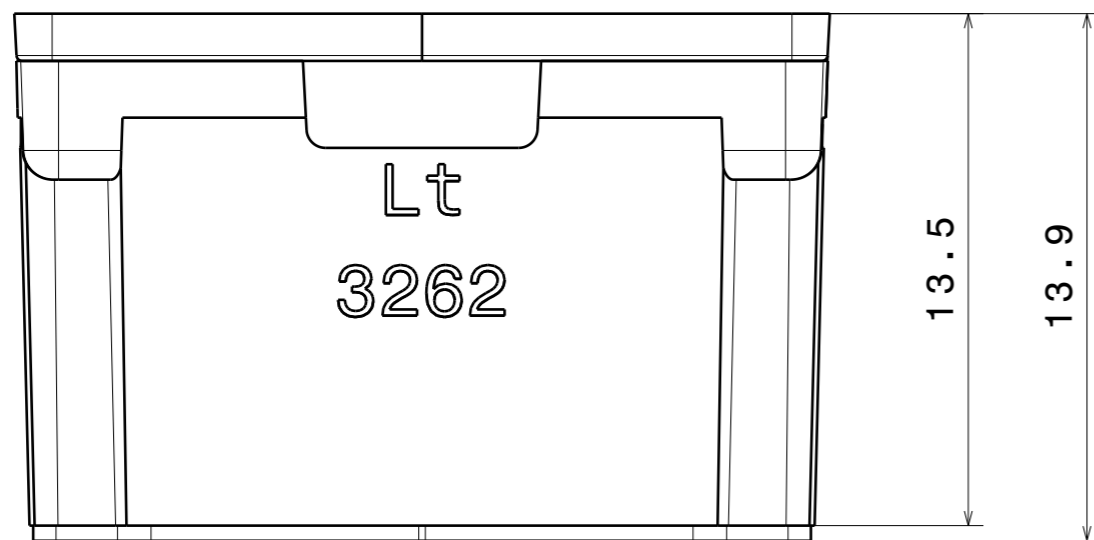




Bottom view



Isometric view  
Scale: 5:1



Front view

**COMPONENTS**

CA13613\_G2-OSS-2-RS\_

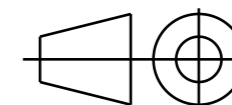
INDEX	PART	TYPE	MATERIAL	COLOR / COATING
1	C10278_ROSE-TAPE		Tape	
2	C10520_ROSE-RS		PMMA	
3	C13262_ROSE-Lt-HLD			white

**MECHANICAL DRAWING**

PRODUCT  
**ROSE**

Plastic molding general tolerances are based on DIN 16901-130 and applies if not otherwise shown in drawing. Silicone molding general tolerances are based on ISO 3302-1 Class M3 and applies if not otherwise shown in the drawing.

FIRST ANGLE PROJECTION:



**LEDiL**®

This drawing is the property of LEDiL Oy. It may not be reproduced, copied or communicated without a written agreement with LEDiL Oy.

SCALE 5:1

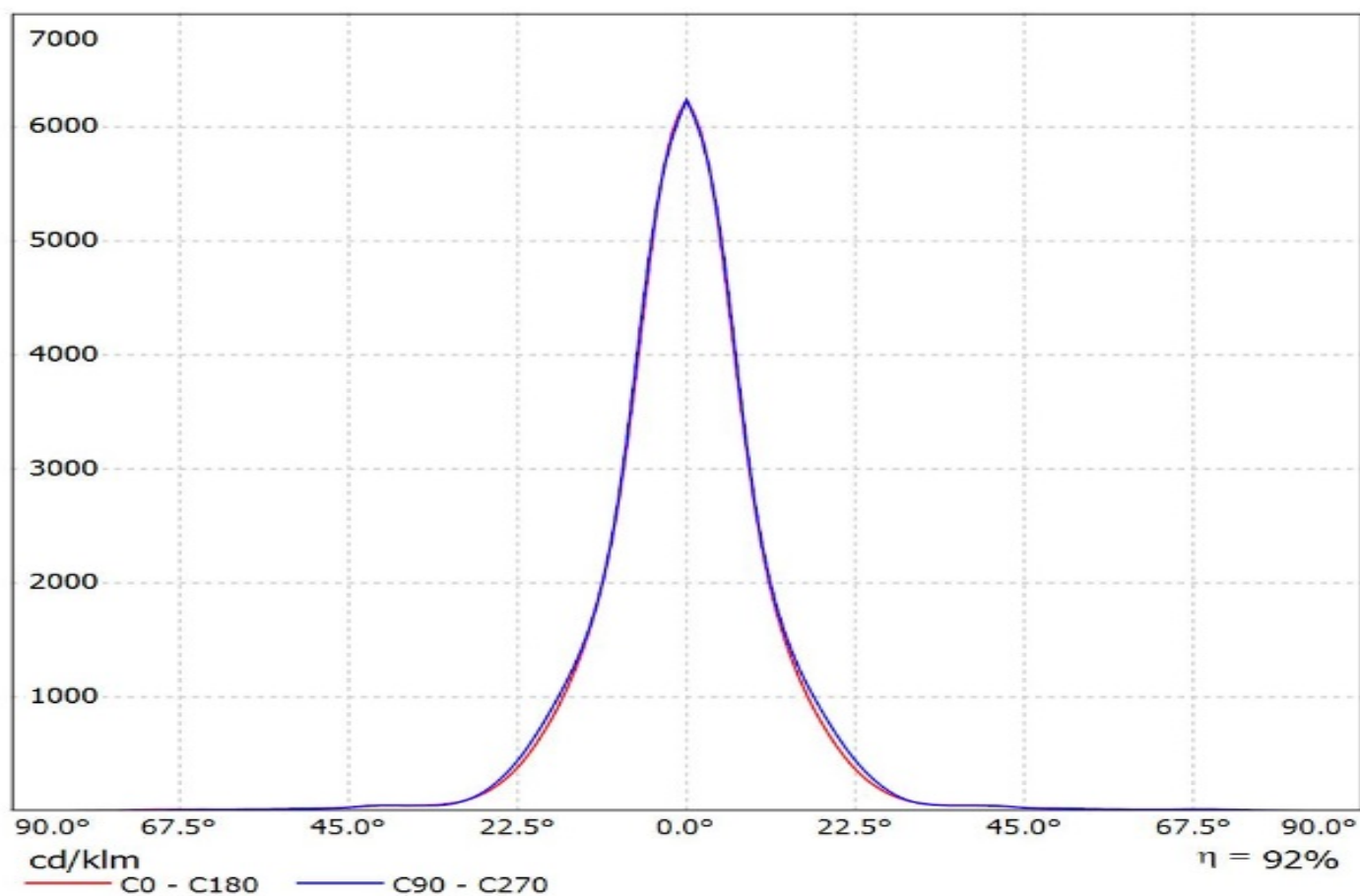
WEIGHT -

A3 SHEET 1/1

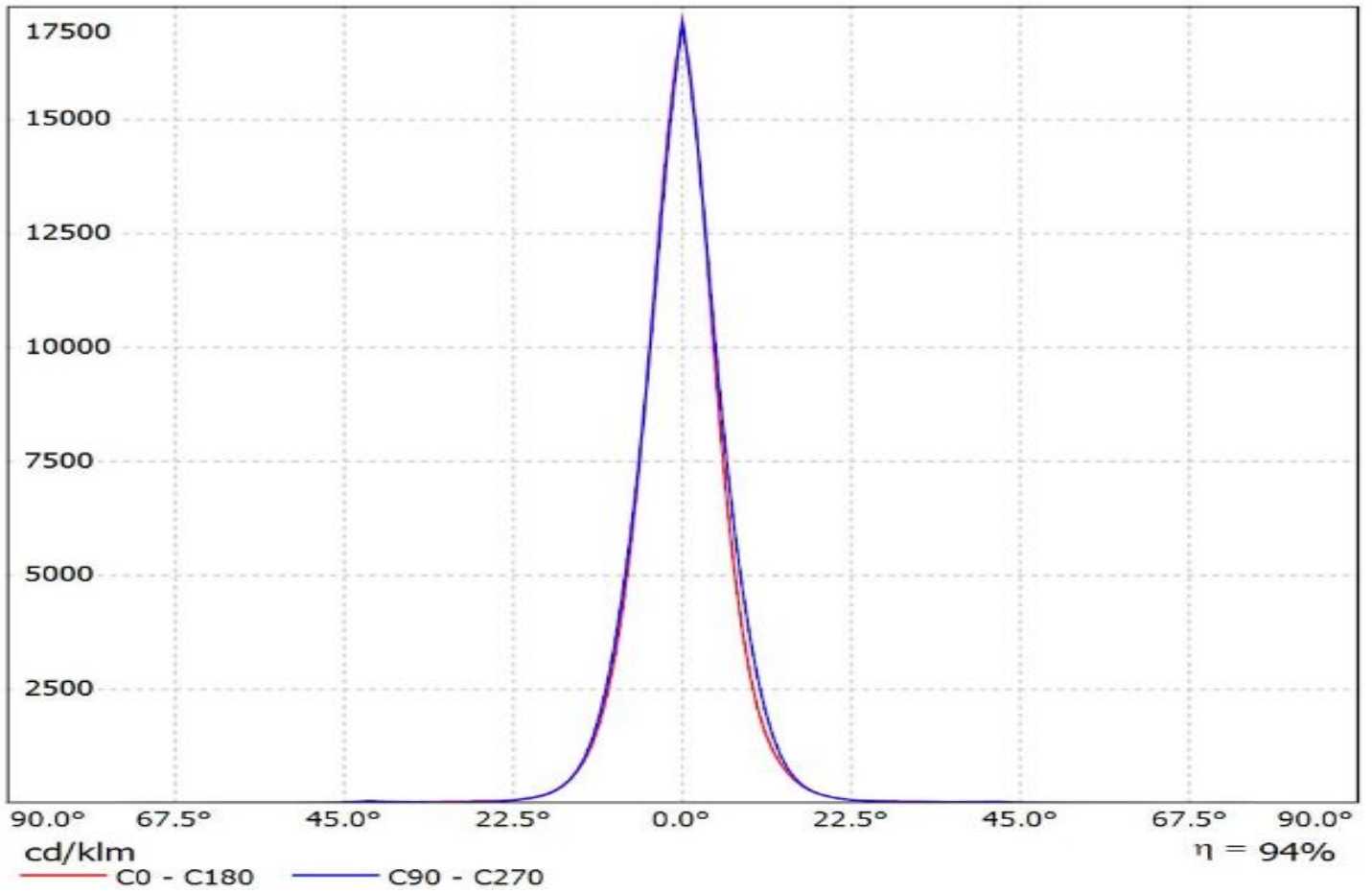
**Notes**

- PCB or heatsink level.
- LED location.
- Ensure LED fitting from a product specific 3D model available from [www.ledil.com](http://www.ledil.com).

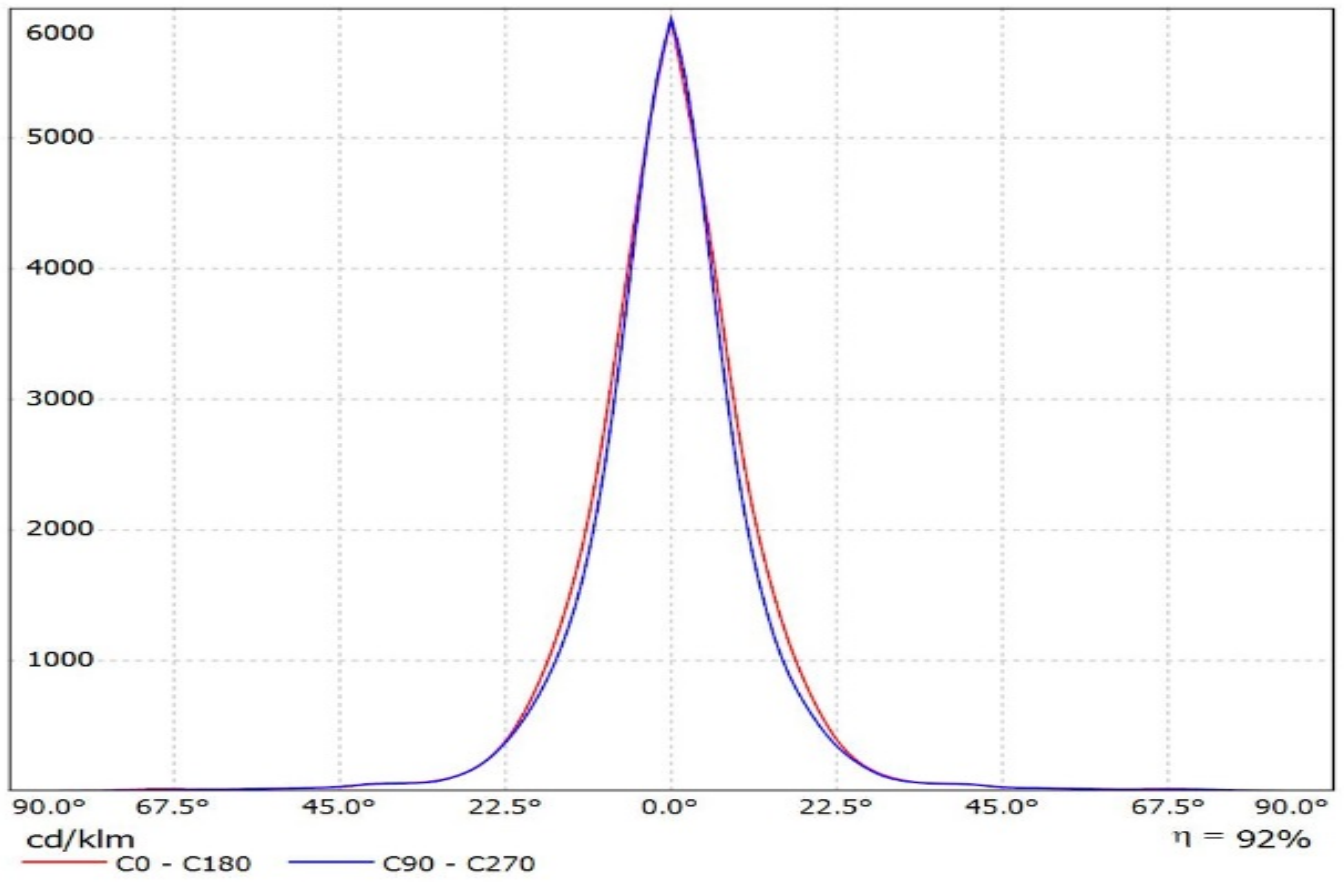
Luminaire: Ledil Oy CA13613\_G2-OSS-2-RS\_(Luxeon 5050)\_SIMULATED  
Lamps: 1 x Lumileds Luxeon 5050



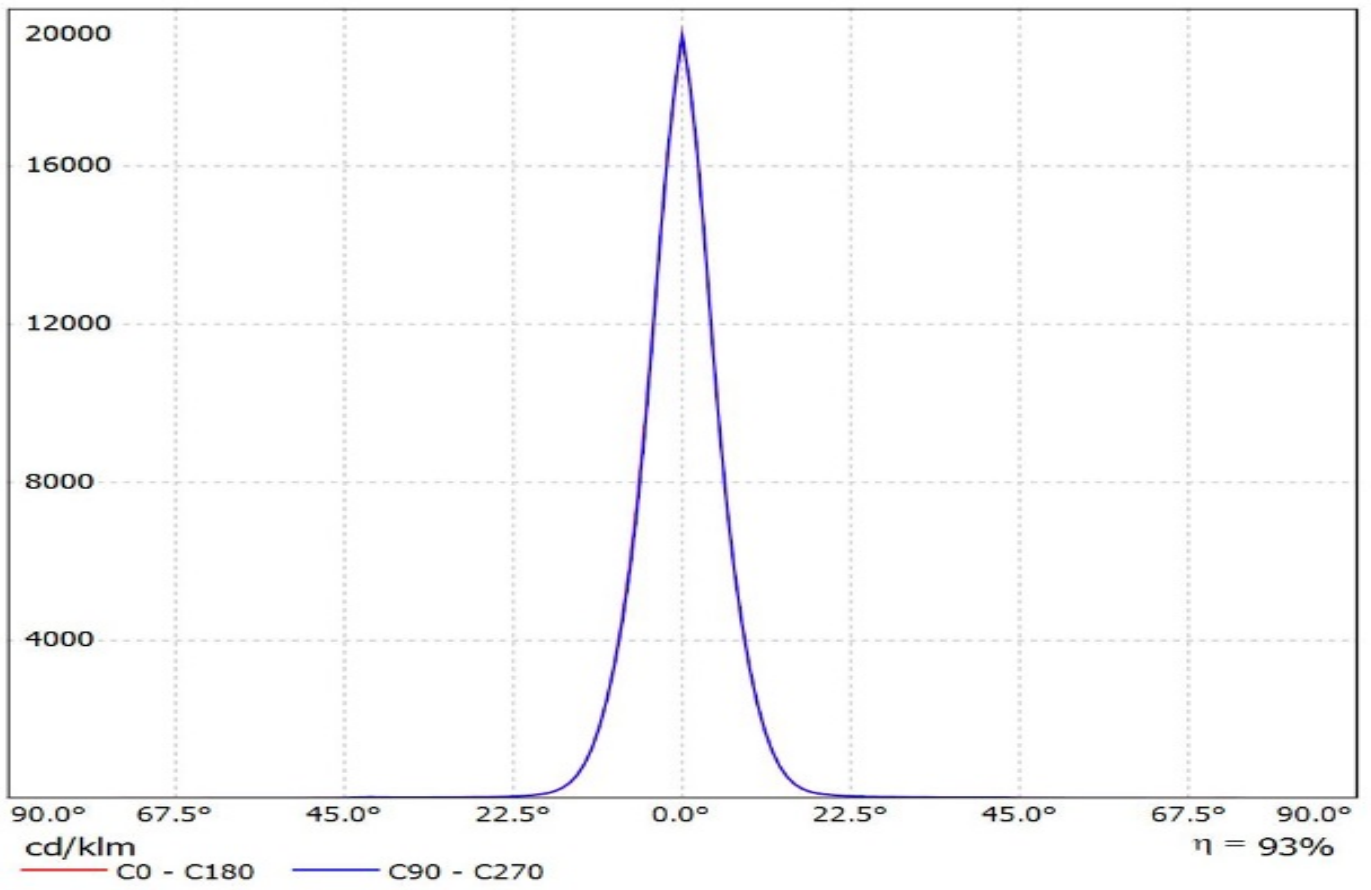
Luminaire: Ledil Oy CA13613\_G2-OSS-2-RS\_(Duris P8)\_SIMULATED  
Lamps: 1 x Osram Duris P8



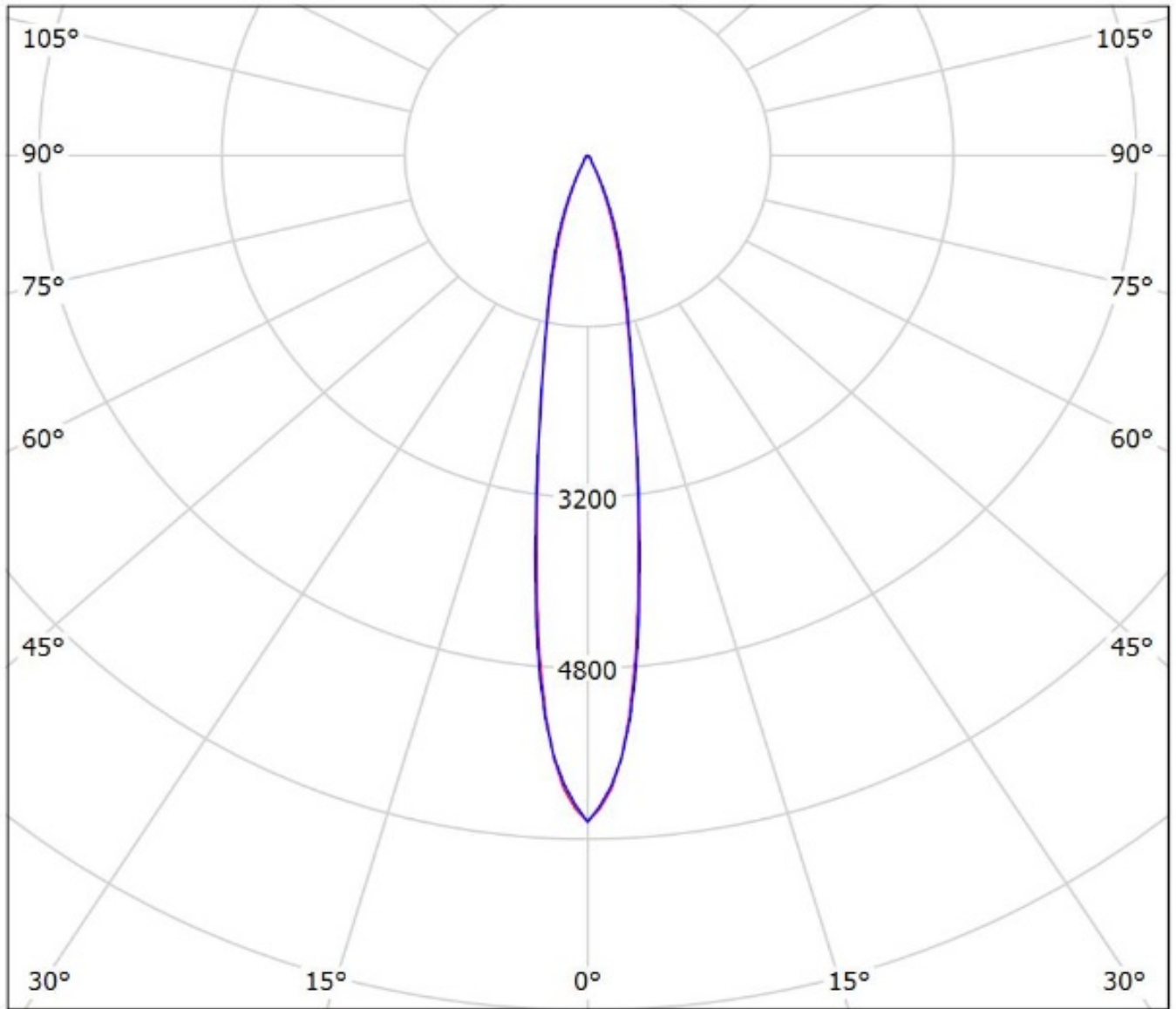
Luminaire: Ledil Oy CA13613\_G2-OSS-2-RS\_(DURIS\_S8)\_SIMULATED  
Lamps: 1 x Osram Duris S8



Luminaire: Ledil Oy CA13613\_G2-OSS-2-RS\_(Seoul Z5M2)\_SIMULATED  
Lamps: 1 x Seoul Z5M2



Luminaire: Ledil Oy CA13613\_G2-OSS-2-RS\_(Luxeon 5050)\_SIMULATED  
Lamps: 1 x Lumileds Luxeon 5050

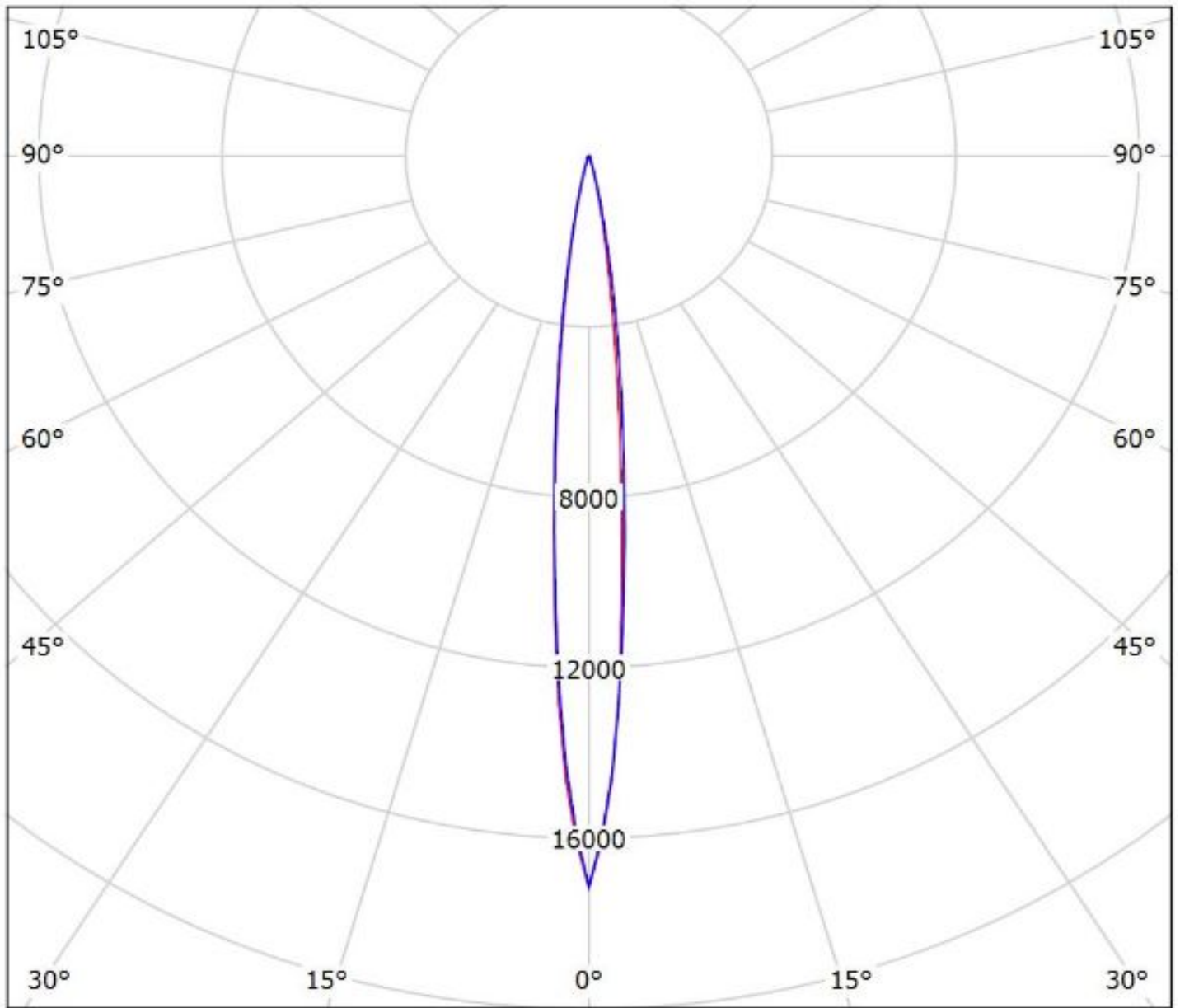


cd/klm  
— C0 - C180    — C90 - C270

$\eta = 92\%$

Luminaire: Ledil Oy CA13613\_G2-OSS-2-RS\_(Duris P8)\_SIMULATED

Lamps: 1 x Osram Duris P8



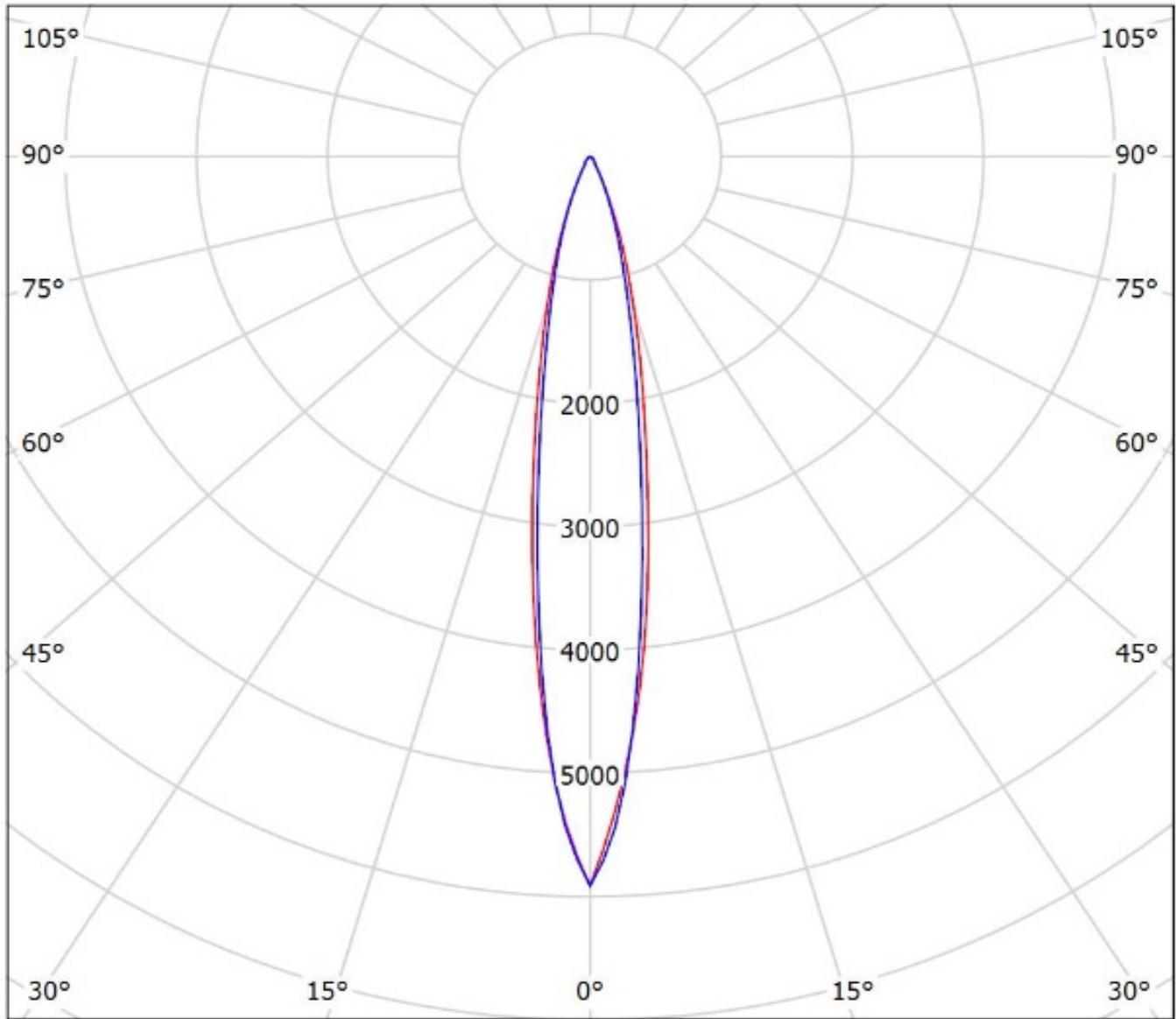
cd/klm

— C0 - C180 — C90 - C270

$\eta = 94\%$



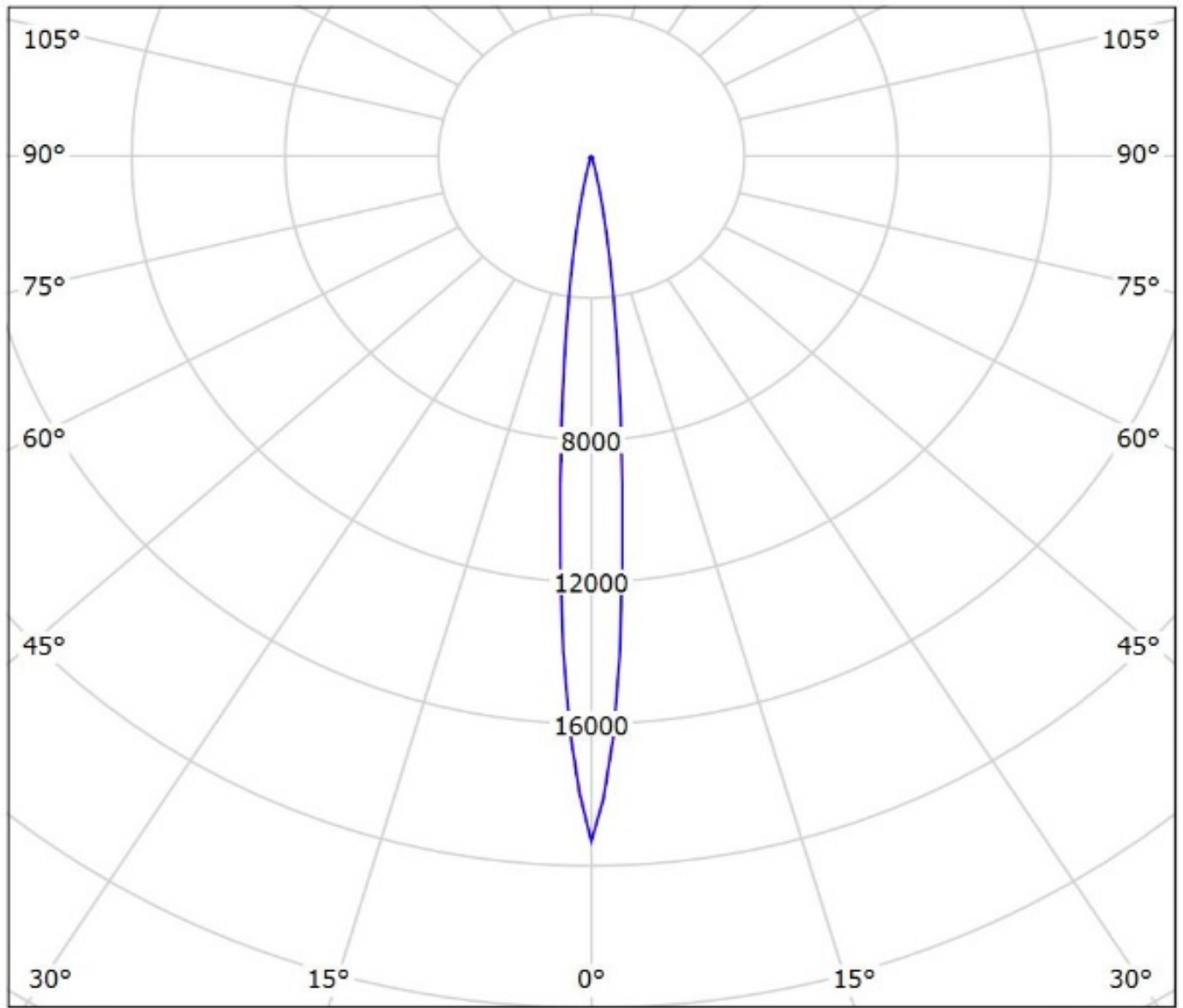
Luminaire: Ledil Oy CA13613\_G2-OSS-2-RS\_(DURIS\_S8)\_SIMULATED  
Lamps: 1 x Osram Duris S8



cd/klm  
— C0 - C180 — C90 - C270

$\eta = 92\%$

Luminaire: Ledil Oy CA13613\_G2-OSS-2-RS\_(Seoul Z5M2)\_SIMULATED  
Lamps: 1 x Seoul Z5M2



cd/klm  
— C0 - C180 — C90 - C270

$\eta = 93\%$

**NOTE: The typical divergence will be changed by different color, chip size and chip position tolerance. The typical total divergence is the full angle measured where the luminous intensity is half of the peak value.**