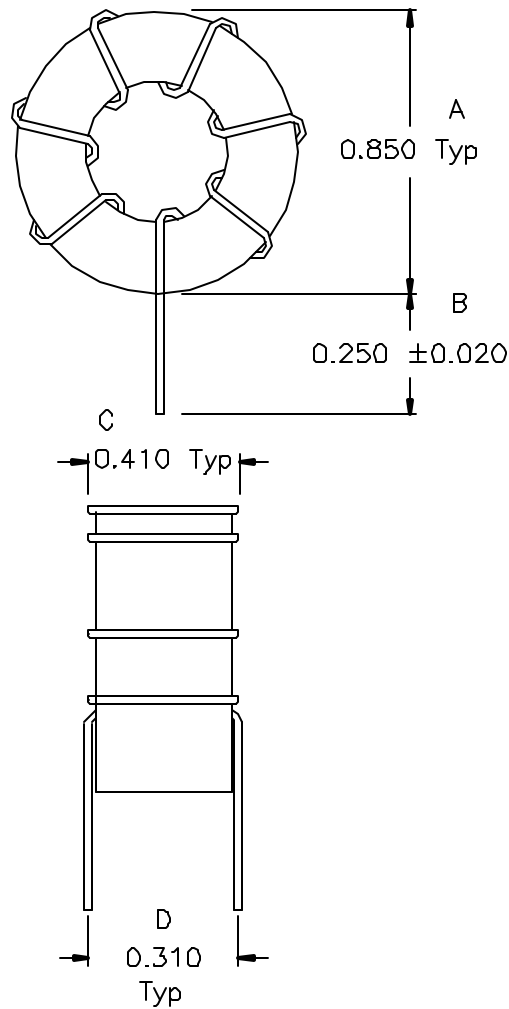
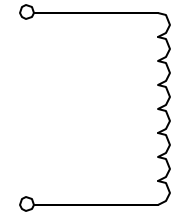


1. Mechanical Dimensions:



2. Schematic:



3. Electrical Specifications: @25°C

- OCL: 4.37uH±15% @10KHz 1.0V
- OCL: 2.1uH Typical with 7.0A_{dc}
- OCL: 1.5uH Typical with 10.0A_{dc}
- DC Resistance: 0.020 Ohms Maximum

Doc. Rev.: A/2

XFMRs Inc		Title: Vetical Open Inductor	
UNLESS OTHERWISE SPECIFIED TOLERANCES: .xxx ±0.10 Dimensions in INCH	P/N: XF0046-V03		REV. A
	DWN.	李清IL	Mar-09-00
	CHK.	孙小悦	Mar-09-00
SHEET 1 OF 1	APP.	Joe Huff	Mar-14-00