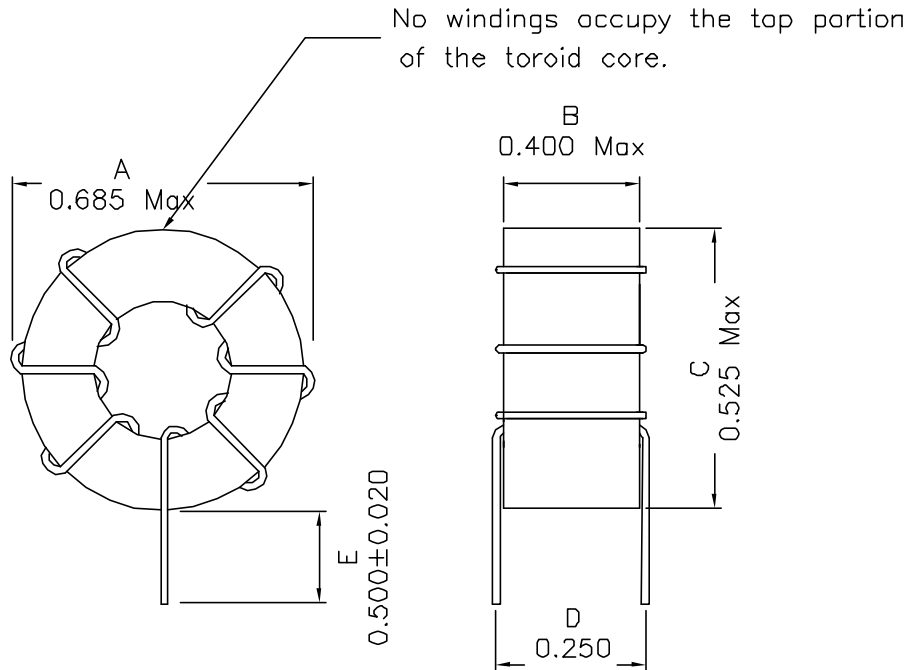


### 1. Mechanical Dimensions:

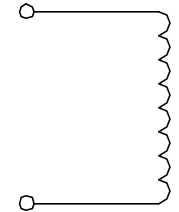


**NOTE:**

STRIP AND TIN TO MOUNTING PLAIN  
 VARNISH REQUIRED  
 NO MARKINGS REQUIRED

DOC. REV. B/4

### 2. Schematic:



### 3. Electrical Specifications: @25°C

OCL: 2.11uH ±12% @10KHz 0.1V

OCL: 1.20uH Typical with 19ADC

DC Resistance: 0.008 Ohms Maximum

**Notes:**

1. Solderability: Leads shall meet MIL-STD-202, Method 208D for solderability.
2. Flammability: UL94V-0
3. ASTM oxygen index: > 28%
4. Insulation System: Class F 155°C. UL file E151556
5. Operating Temperature Range: All listed parameters are to be within tolerance from -40°C to +85°C
6. Storage Temperature Range: -55°C to +125°C
7. Aqueous wash compatible
8. SMD Lead Coplanarity: ±0.004"(0.102mm)
9. Moisture Sensitivity: Level 3
10. Electrical and mechanical specifications 100% tested
11. RoHS Compliant Component

**PROPRIETARY**

Document is the property of XFMRs Group & is not allowed to be duplicated without authorization.

<b>XFMRs Inc</b> www.XFMRs.com		Title: TOROIDAL INDUCTOR		
UNLESS OTHERWISE SPECIFIED TOLERANCES: .xxx ±0.010	P/N: XF0016-V04		REV B	
	DWN.	廖玉坤	Jun-02-05	
Dimensions in INCH	CHK.	李清儿	Jun-02-05	
SHEET 1 OF 1	APP.	BW	Jun-02-05	