

NEW

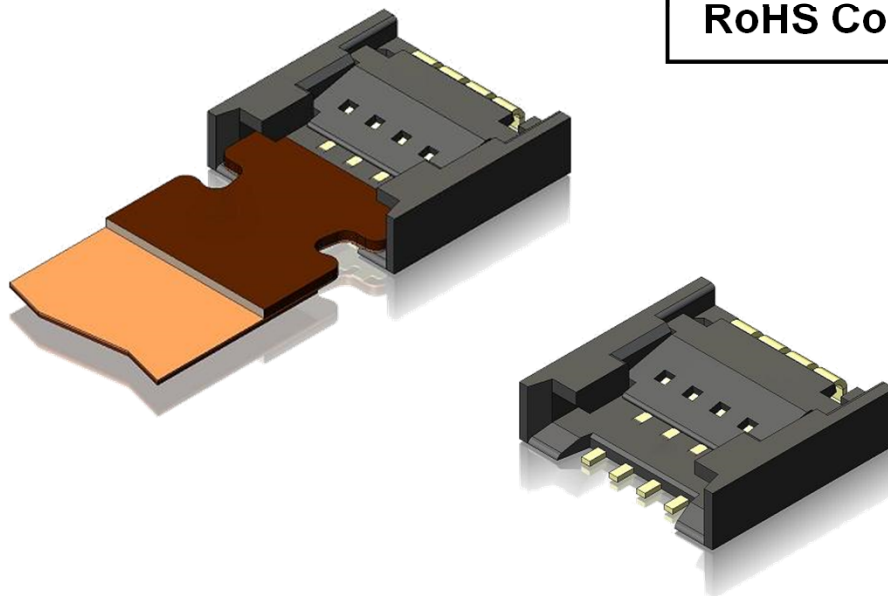

0.5mm Pitch FPC Connector

CONNECTOR

MB-0255-2

April 2016

FA10 Series

RoHS Compliant

The FA10 Series is a 0.5mm pitch, top and bottom-surface connection type, one-action FPC connector ideally suited for saving space in smartphones and digital still cameras.

Features

- Compact FPC connector with 0.5mm pitch, 0.9mm overall height, 3.2mm depth.
- Applicable FPC thickness $0.2\text{mm} \pm 0.03\text{mm}$, top and bottom-surface connection type.
- Guides on FPC outer sides prevent misalignment during mating.
- One-action mating, with no need for actuator or slider operation during insertion and removal.
- Tapered guides in the insertion area for improved FPC insertion guidance.
- High wiring design flexibility with two back and front SMT areas for each connector.
- Pb-free, halogen-free compliant product.
- Ni barrier prevents solder wicking.

General Specifications

- | | |
|---|---|
| ■ No. of Contacts: 4, 5, 6, 10 positions | ■ Rated Current: DC 0.5 A per terminal |
| ■ Contact Resistance: $70\text{m}\Omega$ max | ■ Rated Voltage: AC, DC 50V per terminal |
| ■ Dielectric Withstanding Voltage:
AC250 Vr.m.s per minute | ■ Applicable FPC Thickness: $0.2 \pm 0.03\text{mm}$ |
| ■ Operating Temperature:
-40 Deg. C to +85 Deg. C | ■ Pitch: 0.5mm one row alignment |
| ■ Durability: 20 mating cycles | |

Materials and Finishes

Component	Material / Finish
Housing	Heat-resistant resin (black, halogen-free)
Contact	Cu alloy, Au plating over Ni Au 0.1μm min.

Ordering Information

FA10 ** S A1 – R8000

Series

No. of Contacts

Reeled Product: 8,000 pcs.

Modification Code

Developed No. of Contacts

No. of Contacts	Development Status
4	Now in mass-production
5	Now in mass-production
6	Now in mass-production
10	Now in mass-production

Part Number	SJ Drawing
FA10**SA1	SJ111450

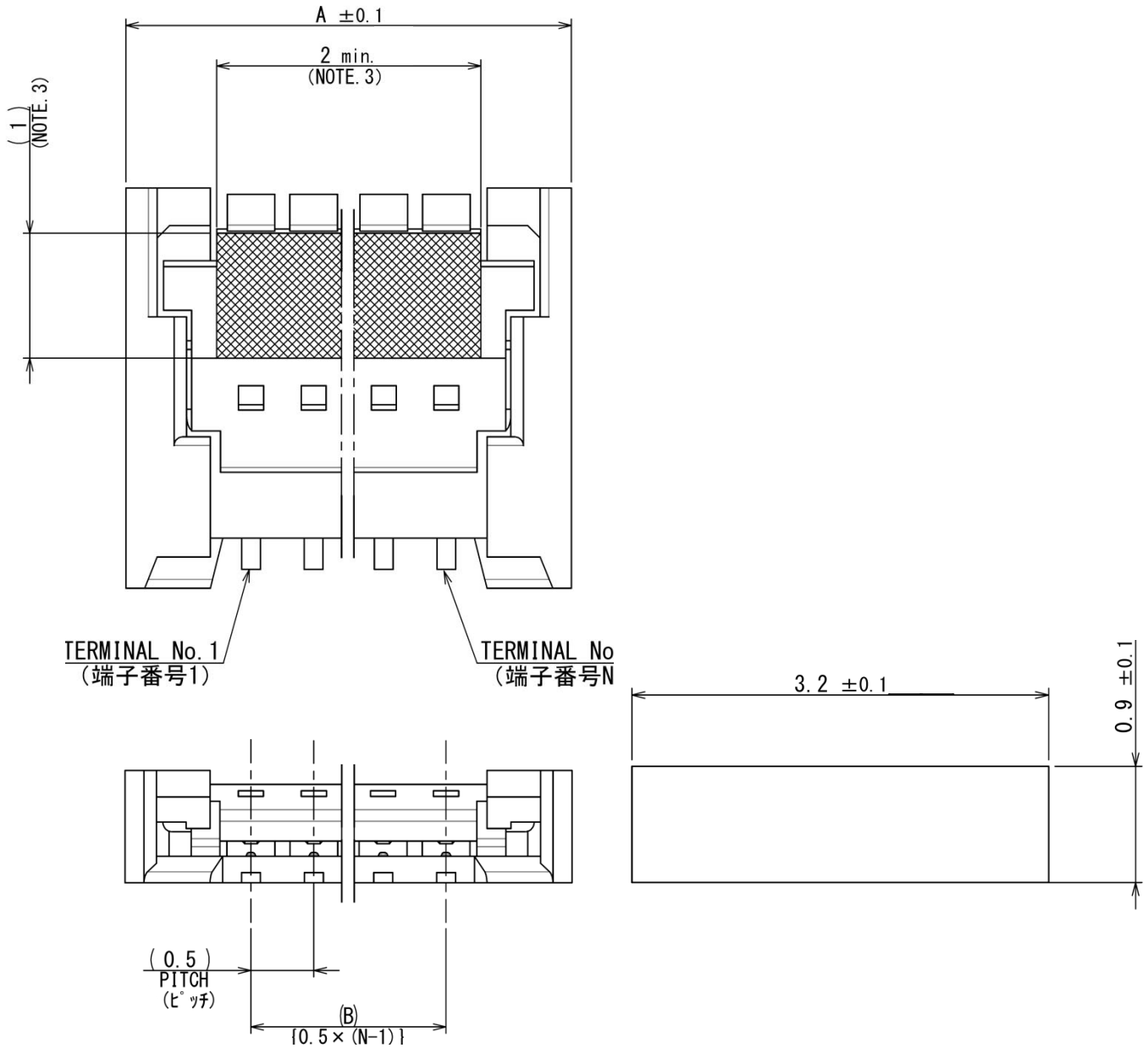
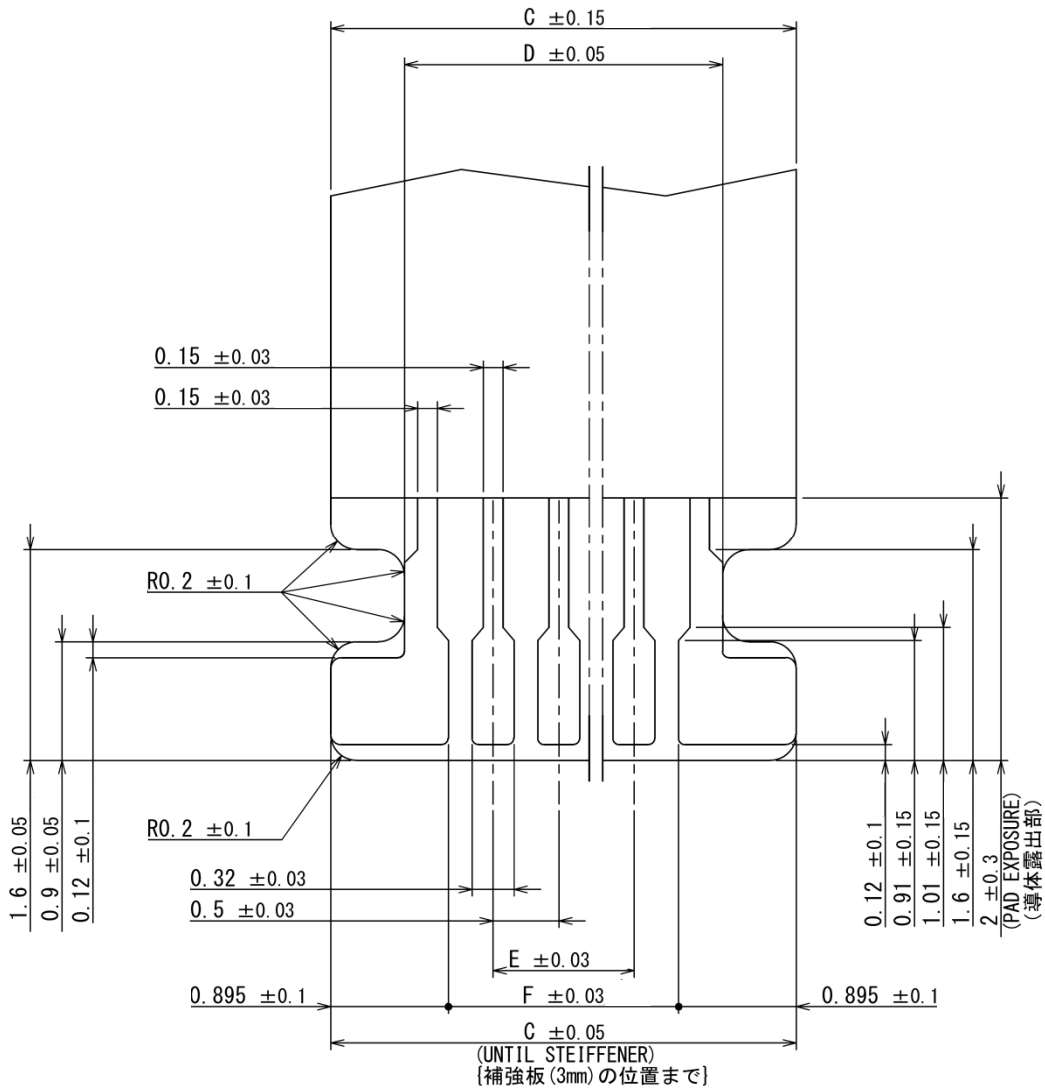


TABLE 2. DIMENSIONS

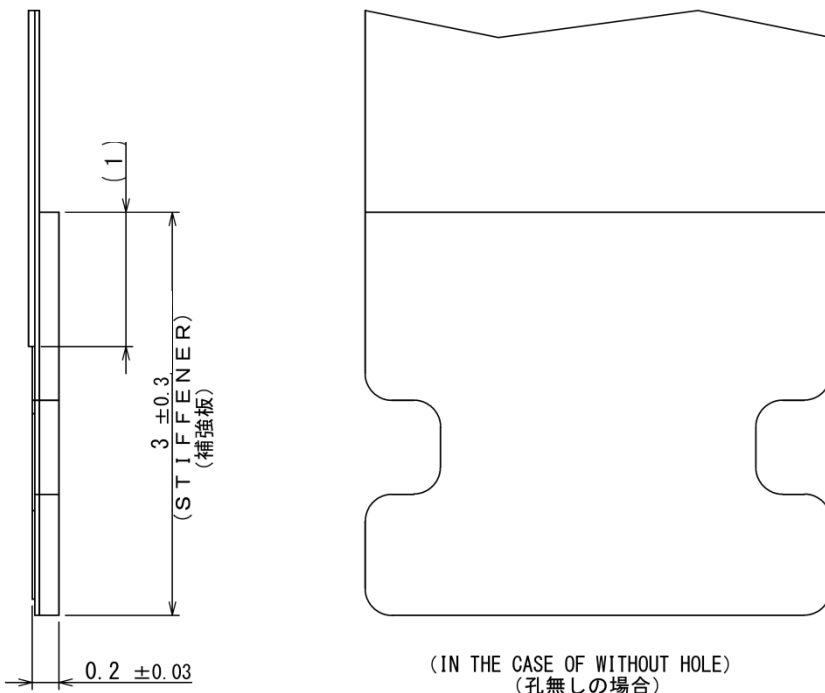
PRODUCT NO.	A	B	C	D	E	F
FA1004SA1	3.5	1.5	2.97	1.85	0.5	1.18
FA1005SA1	4.0	2.0	3.47	2.35	1.0	1.68
FA1006SA1	4.5	2.5	3.97	2.85	1.5	2.18
FA1010SA1	6.5	4.5	5.97	4.85	3.5	4.18

Unit: mm

▪ Applicable Board Dimensions (for reference)

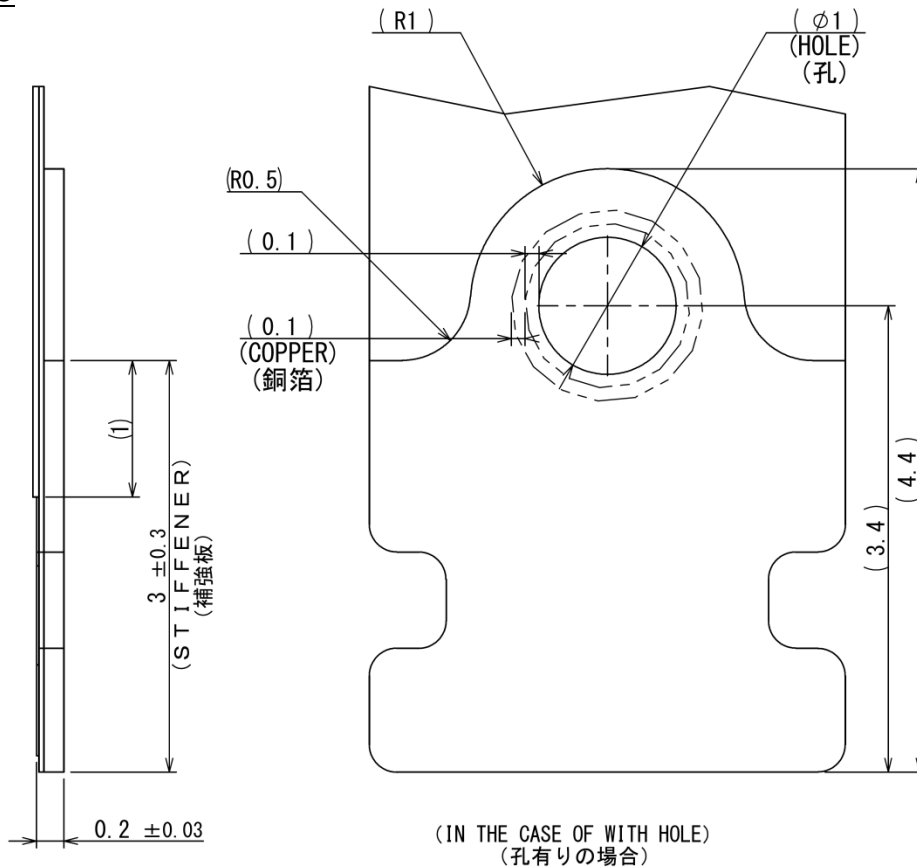


Without Hole

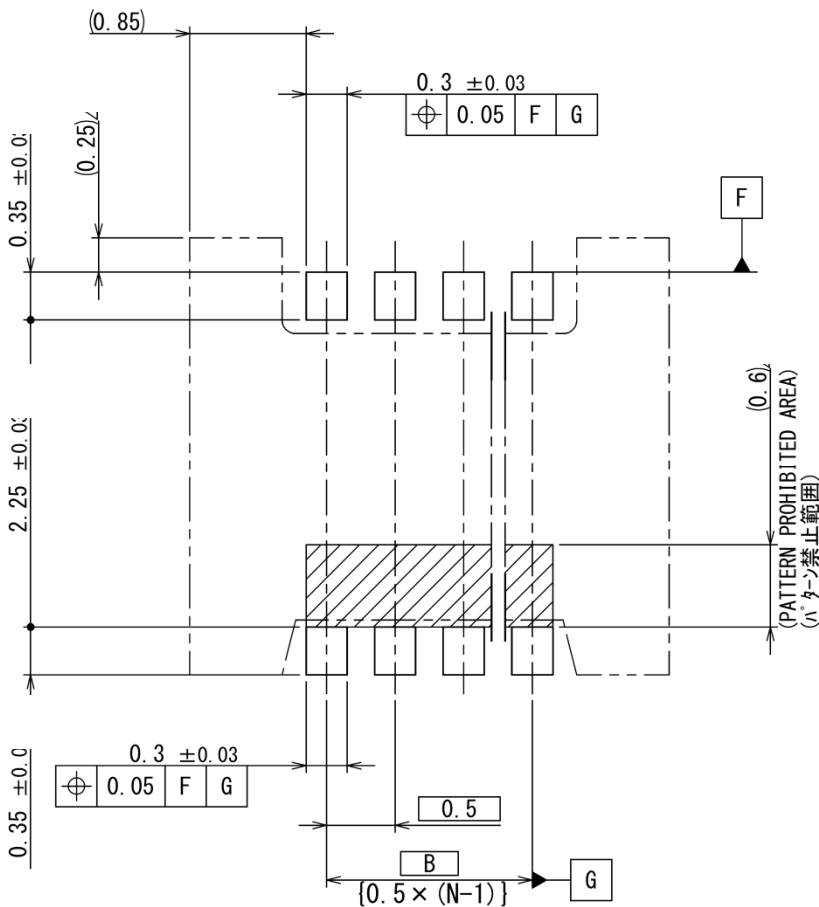


Unit: mm

With Hole



- Applicable Board Dimensions (for reference)



Unit: mm

Technical Documents

Part Number	FA10**SA1
Drawing No.	Individual Product: SJ111450 Reeled Product: SJ111451
Specifications	JACS-10931-0
Handling Instructions	JAHL-10931

Notice:

1. The values specified in this brochure are only for reference. The products and their specifications are subject to change without notice. Contact our sales staff for further information before considering or ordering any of our products. For purchase, a product specification must be agreed upon.

2. Users are requested to provide protection circuits and redundancy circuits to ensure safety of the equipment, and sufficiently review the suitability of JAE's products to the equipment.

3. The products presented in this brochure are designed for the uses recommended below. We strongly suggest you contact our sales staff when considering use of any of the products in any other way than the recommended applications or for a specific use that requires an extremely high reliability.

(1) Applications that require consultation:

(i) Please contact us if you are considering use involving a quality assurance program that you specify or that is peculiar to the industry, such as:

Automotive electrical components, train control, telecommunications devices (mainline), traffic light control, electric power, combustion control, fire prevention or security systems, disaster prevention equipment, etc.

(ii) We may separately give you our support with a quality assurance program that you specify, when you think of a use such as :

Aviation or space equipment, submarine repeaters, nuclear power control systems, medical equipment for life support, etc.

(2) Recommended applications include:

Computers, office appliances, telecommunications devices (terminals, mobile units), measuring equipment, audiovisual equipment, home electric appliances, factory automation equipment, etc.

Japan Aviation Electronics Industry, Limited

Product Marketing Division

Aobadai Building, 3-1-19, Aobadai, Meguro-ku, Tokyo 153-8539

Phone: +81-3-3780-2882 FAX: +81-3-3780-2946

* The specifications in this brochure are subject to change without notice. Please contact JAE for information.