



# ROITHNER LASERTECHNIK GmbH

WIEDNER HAUPTSTRASSE 76  
TEL. +43 1 586 52 43 -O. FAX. -44

1040 VIENNA AUSTRIA  
OFFICE@ROITHNER-LASER.COM



## SLD3235VF

- Violet Laser Diode
- 405 nm, 100 mW
- 5.6mm TO-Can, Flat Window
- Integrated Photodiode



### Description

**SLD3235VF** is a violet laser diode, typically emitting at 405 nm, at a rated output power of 100 mW. **SLD3235VF** comes in 5.6 mm TO-Can package **with integrated PD**.

### Maximum Rating\*<sup>1</sup> (T<sub>CASE</sub> = 25°C)

Parameter	Symbol	Values		Unit
		Min.	Max.	
Optical Output Power, cw	$P_O$		100	mW
LD Reverse Voltage	$V_{RD}$		2.0	V
PD Reverse Voltage	$V_{RPD}$		5.5	V
Operating Temperature*	$T_{OPR}$	- 10	+ 80	°C
Storage Temperature*	$T_{STG}$	- 40	+ 85	°C
Soldering Temperature (max. 3s)	$T_{SOL}$		+ 260	°C

\*<sup>1</sup> operating close to or outside these conditions may damage the device

### Electro-Optical Characteristics (T<sub>CASE</sub> = 25°C, P<sub>O</sub> = 100 mW)

Parameter	Symbol	Values			Unit	
		Min.	Typ.	Max.		
Peak Wavelength	$\lambda_P$	400	405	410	nm	
Operating Voltage	$V_F$		5.0		V	
Threshold Current	$I_{th}$		40		mA	
Operating Current	$I_F$		140		mA	
PD Current	$I_{PD}$		0.6		mA	
Slope Efficiency	$\eta$		1.2		W/A	
Beam Divergence (FWHM)	parallel	$\Theta_{  }$	7	9	12	deg.
	perpendicular	$\Theta_{\perp}$	15	19	23	deg.
Emission Point Accuracy	parallel	$\Delta\Theta_{  }$	- 2.0		2.0	deg.
	perpendicular	$\Delta\Theta_{\perp}$	- 2.5		2.5	deg.

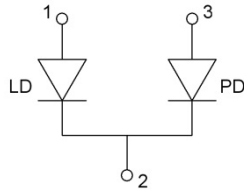




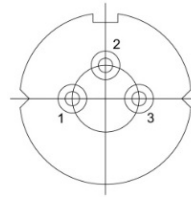
## Electrical Connection

### Pin Configuration

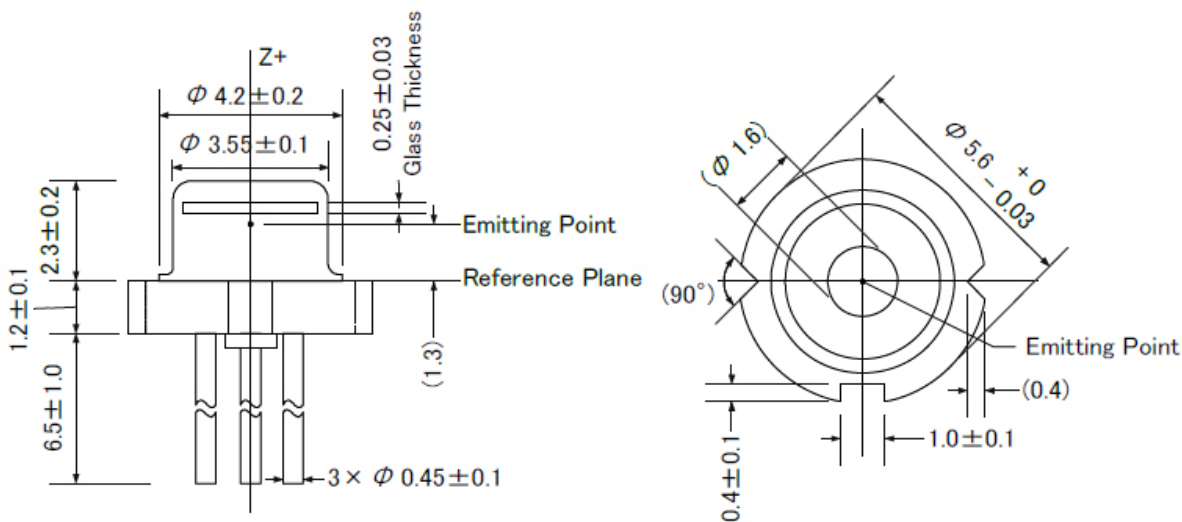
Pin #	Function
Pin 1	LD anode
Pin 2	LD cathode, PD cathode
Pin 3	PD anode



### Bottom View



## Outline Dimensions



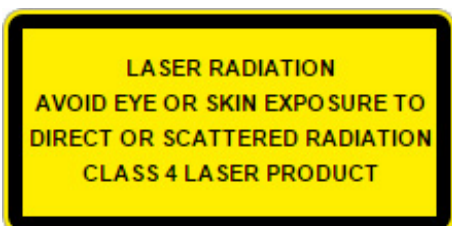
All dimensions in mm

## Precautions

### Safety

**Caution:** Laser light emitted from any laser diode may be **harmful to the human eye**. Avoid looking directly into the laser diode's aperture when the diode is in operation.

**Note:** The use of optical lenses with this laser diode will increase eye hazard





# ROITHNER LASERTECHNIK GmbH

WIEDNER HAUPTSTRASSE 76

1040 VIENNA

AUSTRIA

TEL. +43 1 586 52 43 -0. FAX. -44

OFFICE@ROITHNER-LASER.COM



## ESD caution

Always do handle laser diodes with extreme care to **prevent electrostatic discharge**, the primary cause of unexpected diode failure. To prevent ESD related failures, it is strongly advised to always **wearing wrist straps**, and **grounding all applicable work surfaces**, when handling laser diodes

## Operating Considerations

It is strongly advised to only operate this laser diode with a current source. The current of a laser diode is an exponential function of the voltage across it. **Usage of current regulated drive circuits is mandatory.** Laser diodes may be damaged by excessive drive currents or switching transients

It is advised, to operate the laser diode at the lowest temperature possible, and to never exceed maximum specifications as outlined in the datasheet. Device degradation will accelerate with increased temperature. **Proper heat sinking will greatly enhance stability and life time of the laser diode**

© All Rights Reserved

The above specifications are for reference purpose only and subjected to change without prior notice.