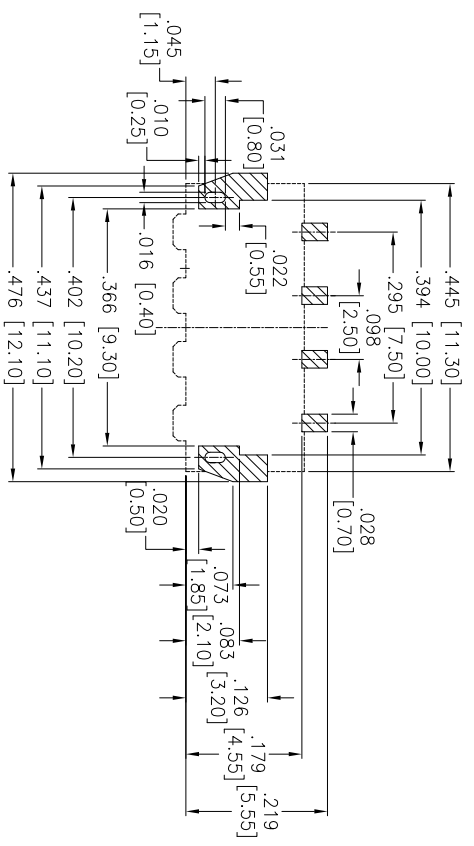
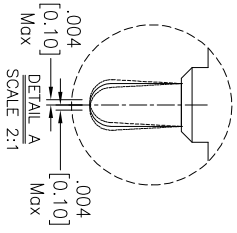
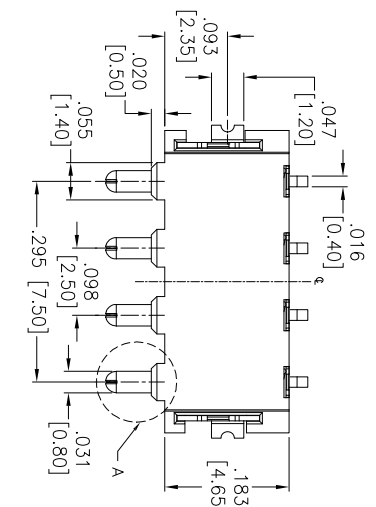
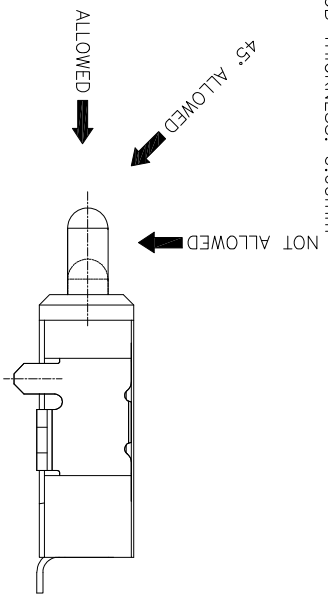
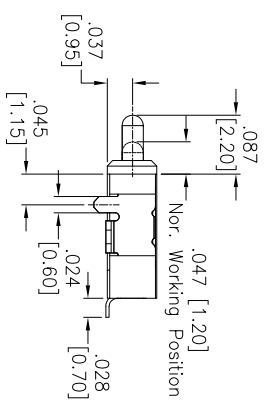
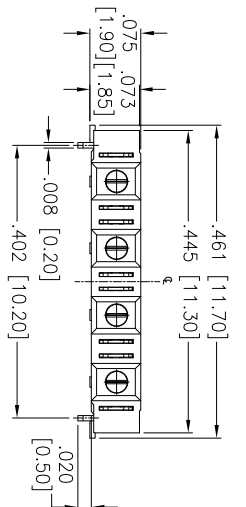


Rev	AWO #	Description	Date	Appr
-		RELEASED	4/18/13	

APPROVED: _____
 DATE: _____ TITLE: _____



RECOMMENDED PCB LAYOUT
 PCB THICKNESS: 0.60mm



RECOMMENDED BATTERY PACK INSERTION ANGLE

SPECIFICATIONS:

- Material: Insulator: Hi-temp thermoplastic, rated UL 94V-0
- Insulator color: Black
- Contacts: Copper Alloy
- Latch: Brass, Matte tin plated
- Spring: Piano Wire, nickel plated
- Rating: Gold flash over Nickel underplate overall
- Electrical: Voltage rating: 15 VDC
- Current rating: 2 Amps max
- Contact resistance: 20 mohms max
- Insulation resistance: 1000 Mohms min @ 500 VDC
- Dielectric withstanding voltage: 500 VDC for 1 minute
- Temperature Rating: Operating temperature: -40°C to +85°C
- Environmental: Lead free, RoHS compliant.

PACKAGED ON TAPE & REEL

UNLESS OTHERWISE SPECIFIED
 ALL DIMENSIONS ARE INCHES [MM]
 TOLERANCES: EXCEPT AS NOTED

INCHES	± .10	ØXX	± .10
INCHES	± .020	ØXXX	± .015
INCHES	± .015	ØXXXX	± .010

APPROVALS: _____ DATE: _____

DRAWN	AY	4/18/13
CHECKED	GC	4/18/13
APPROVED		

ADAM TECH
 909 Rahway Avenue, Union, NJ 07083
 Phone: 908-687-5000 Fax: 908-687-5710

TITLE	.098 [2.50] PITCH MOBILE BATTERY CONNECTOR		
SIZE	SMT TYPE, GOLD PLATED, 4PIN		
REF:	S00003T	SCALE:	NIS
SHEET	1	OF	1