

# 3-Terminal EMI Filter

**AEMIF-0603**



**RoHS/RoHS II Compliant**



1.6 x 0.8 x 0.6mm

## FEATURES:

- Multilayer and low profile structure enables high density mounting
- Closed magnetic circuit minimizes crosstalk
- Sharp attenuation characteristic beyond cutoff frequency achieves excellent EMI suppression

## APPLICATIONS:

- Noise removal from signal lines in digital cameras, computers, game consoles, LED TVs, etc.
- Suppression of noise generated by high speed digital circuits such as clock lines

## STANDARD SPECIFICATIONS:

**Operating Temperature**  
-40°C to +85°C

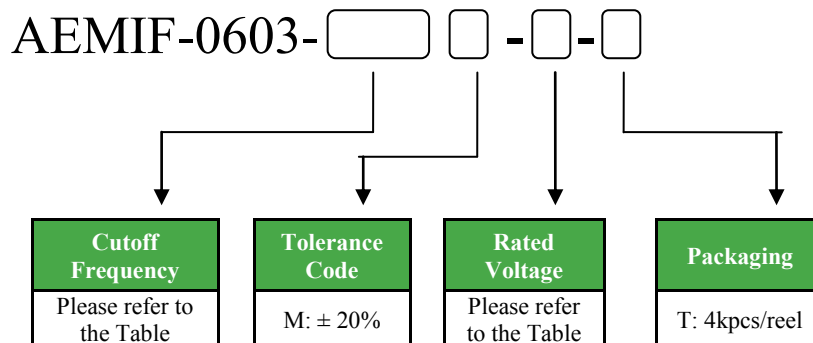
**Storage Temperature**  
-10°C to +40°C, 70% RH max. in tape and reel

| Part Number        | -3dB Cut-off Frequency | Cut-off Frequency Tolerance | Rated Voltage | Rated Current | Min. Insulation Resistance | Max. DC Resistance | Attenuation                  |
|--------------------|------------------------|-----------------------------|---------------|---------------|----------------------------|--------------------|------------------------------|
| Units              | MHz                    | %                           | V             | mA            | MΩ                         | Ω                  | dB                           |
| AEMIF-0603-401M-16 | 400                    | M                           | 16            | 300           | 200                        | 0.8                | 20.0 dB min. at 800-2000 MHz |

## Test Equipment

| Items                 | Test Equipment        |
|-----------------------|-----------------------|
| Cut off Frequency     | HP8753E or equivalent |
| DC Resistance         | HP4338 or equivalent  |
| Insulation Resistance | TH2682 or equivalent  |
| Attenuation           | HP8753E or equivalent |

## PART NUMBER IDENTIFICATION



# 3-Terminal EMI Filter

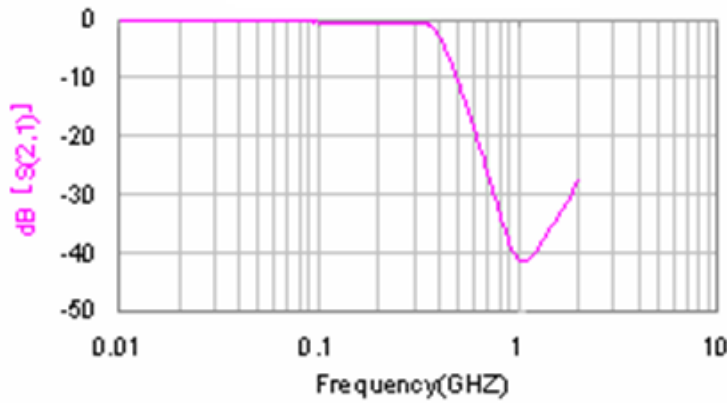
AEMIF-0603

 RoHS/RoHS II Compliant

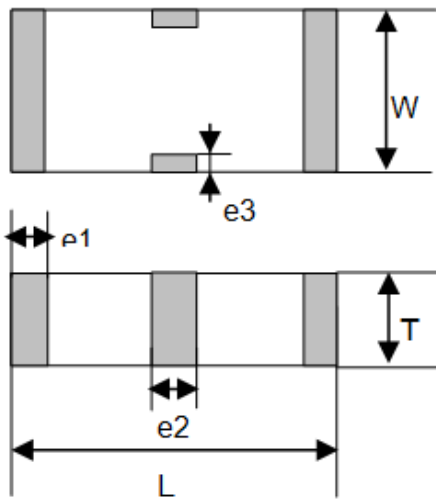


1.6 x 0.8 x 0.6mm

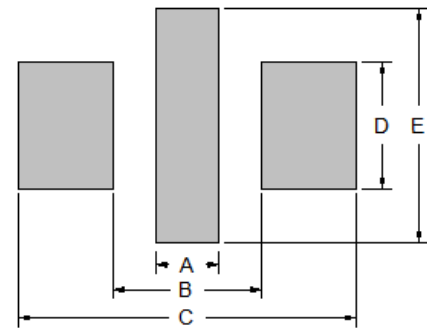
## FREQUENCY CHARACTERISTIC



## OUTLINE DIMENSION:



### Recommended Land Pattern

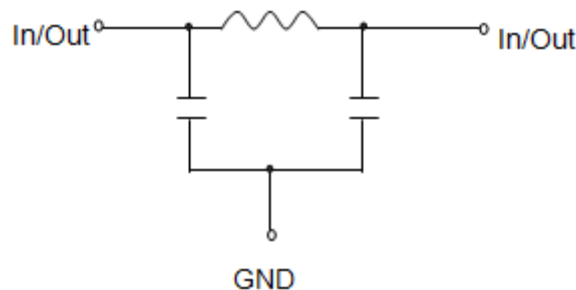


| L       | W       | T       | e1       | e2      | e3       |
|---------|---------|---------|----------|---------|----------|
| 1.6±0.2 | 0.8±0.2 | 0.6±0.2 | 0.2±0.15 | 0.4±0.2 | 0.2±0.15 |

| A   | B   | C   | D   | E   |
|-----|-----|-----|-----|-----|
| 0.4 | 1.0 | 2.2 | 0.6 | 1.5 |

Dimension: mm

## EQUIVALENT CIRCUIT:



No polarity



# 3-Terminal EMI Filter

AEMIF-0603

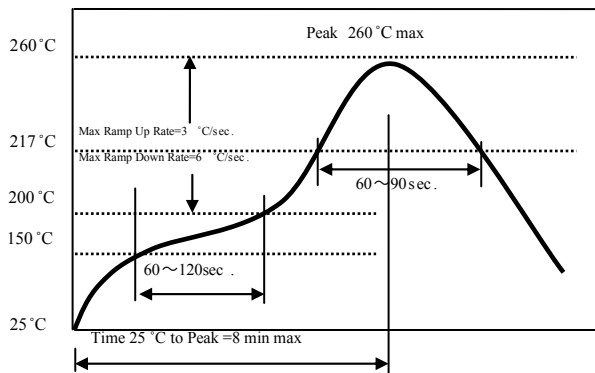


RoHS/RoHS II Compliant



1.6 x 0.8 x 0.6mm

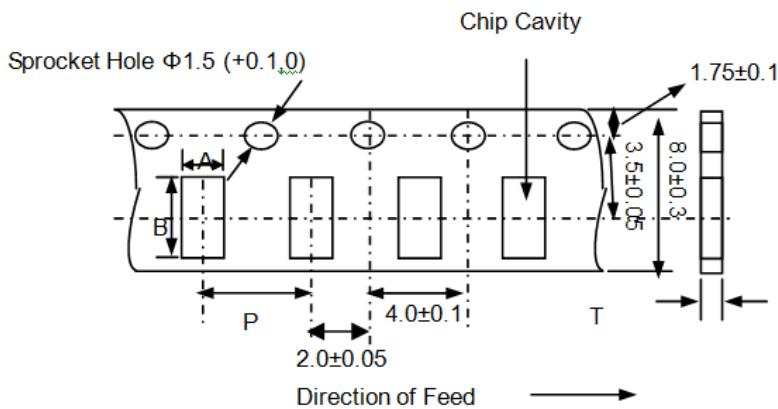
## REFLOW PROFILE:



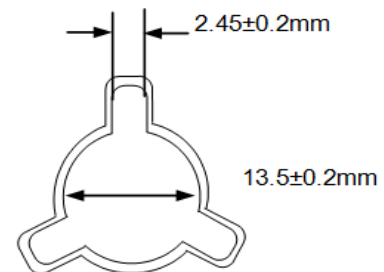
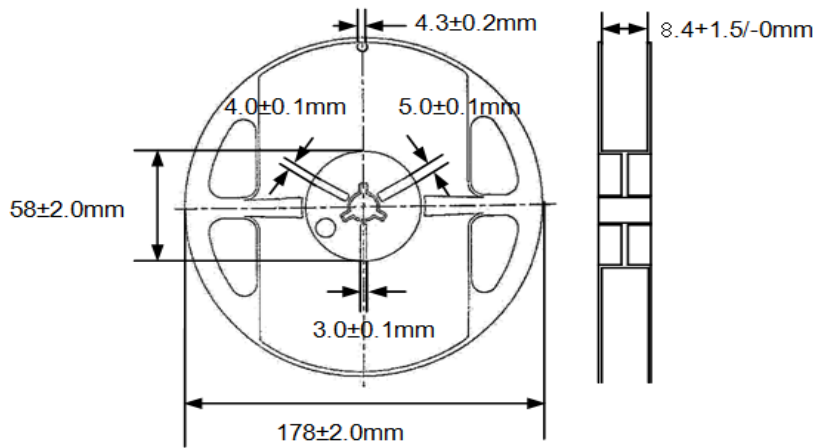
- Preheat condition: 150 ~200°C/60~120sec.
- Allowed time above 217 °C: 60~90sec.
- Max temp: 260 °C
- Max time at max temp: 10sec.
- Solder paste: Sn/3.0Ag/0.5Cu
- Allowed Reflow time: 2x max

## TAPE & REEL

T= tape and reel (4,000pcs/reel)



| A   | B    | P   | T max |
|-----|------|-----|-------|
| 1.0 | 1.80 | 4.0 | 0.75  |



Dimension: mm

**ATTENTION:** Abracon Corporation's products are COTS – Commercial-Off-The-Shelf products; suitable for Commercial, Industrial and, where designated, Automotive Applications. Abracon's products are not specifically designed for Military, Aviation, Aerospace, Life-dependant Medical applications or any application requiring high reliability where component failure could result in loss of life and/or property. For applications requiring high reliability and/or presenting an extreme operating environment, written consent and authorization from Abracon Corporation is required. Please contact Abracon Corporation for more information.

ABRACON IS  
ISO 9001:2008  
CERTIFIED



Visit [www.abracon.com](http://www.abracon.com) for Terms & Conditions of Sale **Revised: 07.25.14**  
30332 Esperanza, Rancho Santa Margarita, California 92688  
tel 949-546-8000 | fax 949-546-800 | [www.abracon.com](http://www.abracon.com)