

● **FEATURES**

- Small surface mounting type
- Low reverse current and low forward voltage
- High reliability



● **Maximum Ratings and Electrical Characteristics, Single Diode @T<sub>A</sub>=25°C**

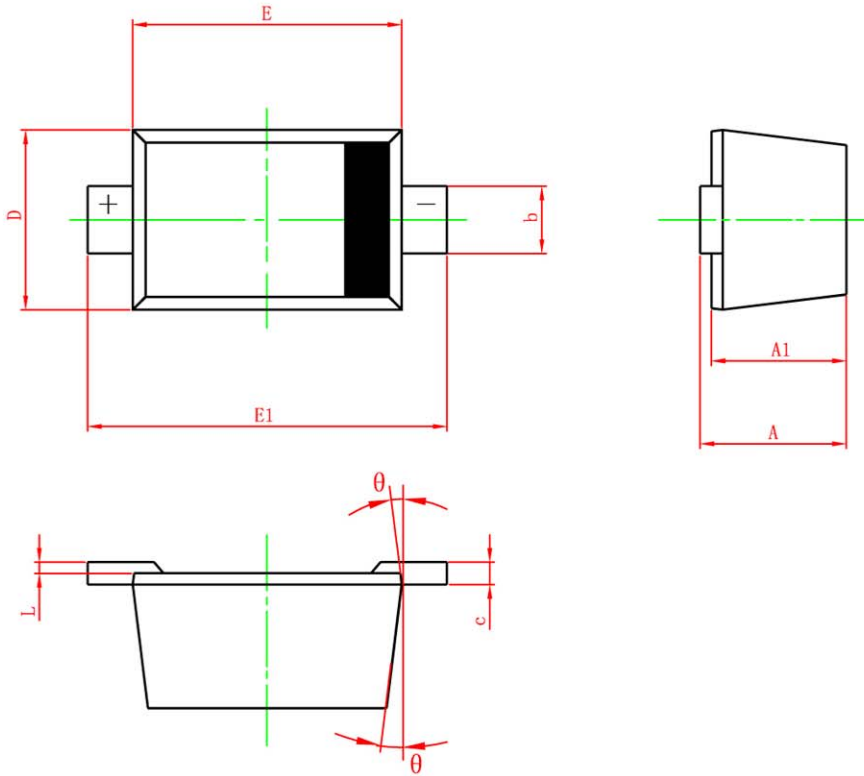
Parameter	Symbol	Limits	Unit
Peak reverse voltage	V <sub>RM</sub>	40	V
DC reverse voltage	V <sub>R</sub>	30	V
Mean rectifying current	I <sub>O</sub>	30	mA
Peak forward surge current	I <sub>FSM</sub>	200	mA
Junction temperature	T <sub>J</sub>	+125	°C
Storage temperature	T <sub>stg</sub>	-40~+125	°C

● **Electrical Ratings @T<sub>A</sub>=25°C**

Parameter	Symbol	Min.	Typ.	Max.	Unit	Conditions
Forward voltage	V <sub>F</sub>			0.37	V	I <sub>F</sub> =1mA
Reverse current	I <sub>R</sub>			0.5	μA	V <sub>R</sub> =30V
Capacitance between terminals	C <sub>T</sub>		2		pF	V <sub>R</sub> =1V, f=1MHZ



## SOD-723 PACKAGE OUTLINE DIMENSIONS



Symbol	Dimensions In Millimeters		Dimensions In Inches	
	Min	Max	Min	Max
A	0.585 REF		0.023 REF	
A1	0.530	0.572	0.021	0.023
b	0.250	0.350	0.010	0.014
c	0.070	0.130	0.003	0.005
D	0.550	0.650	0.022	0.026
E	0.900	1.100	0.035	0.043
E1	1.300	1.500	0.051	0.059
L	0.030	0.070	0.001	0.003
θ	7° REF		7° REF	

SK MAKE CONSCIOUS PRODUCT

CONSCIOUS PRODUCTS BEGIN WITH CONSCIOUS PEOPLE

