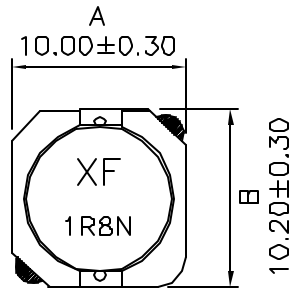
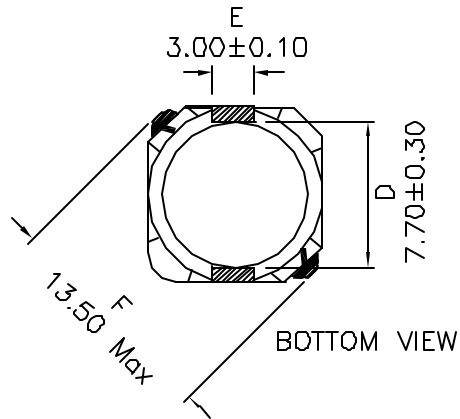
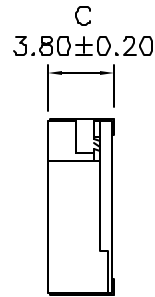


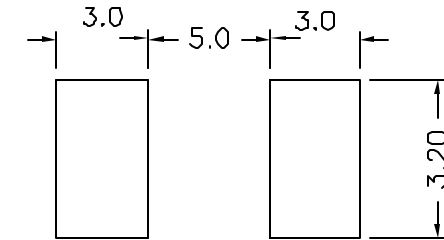
1. Mechanical Dimensions:



TOP VIEW

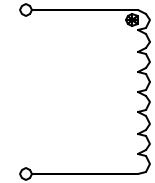


BOTTOM VIEW



(SUGGESTED MOUNTING PAD)

2. Schematic:



3. Electrical Specification:

OCL: 1.8uH±30% @100KHz, 0.1V

Q: 18 Min @100KHz, 0.1V

Isat: 10.4Adc Max (30%TYP drop in OCL)

Irated: 9.5A Max (Based on 40°C Temp Rise)

DCR: 0.012 Ohms Max

Notes:

1. Solderability: Leads shall meet MIL-STD-202G, Method 208H for solderability.
2. Flammability: UL94V-0
3. ASTM oxygen index: > 28%
4. Insulation System: Class F 155°C, UL file E151556
5. Operating Temperature Range: All listed parameters are to be within tolerance from -40°C to +85°C
6. Storage Temperature Range: -55°C to +125°C
7. Aqueous wash compatible
8. SMD Lead Coplanarity: ±0.004"(0.102mm)
9. Electrical and mechanical specifications 100% tested
10. RoHS Compliant Component

XFMRs Inc. www.XFMRS.com	Title: HIGH CURRENT SELF-LEADED SMT INDUCTORS		
	P/N: XFTPRH104-1R8N	REV. A	
UNLESS OTHERWISE SPECIFIED TOLERANCES: N/A Dimensions in MM	DWN.	Xianyí	Nov-11-08
	CHK.	YK Liao	Nov-11-08
	APP.	BW	Nov-11-08
SHEET 1 OF 1			

DOC. REV: A/4

PROPRIETARY Document is the property of XFMRs Group & is not allowed to be duplicated without authorization