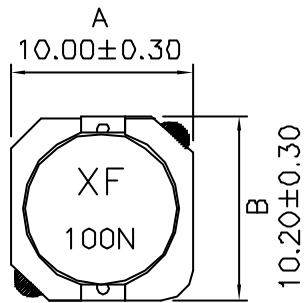
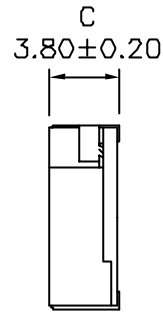


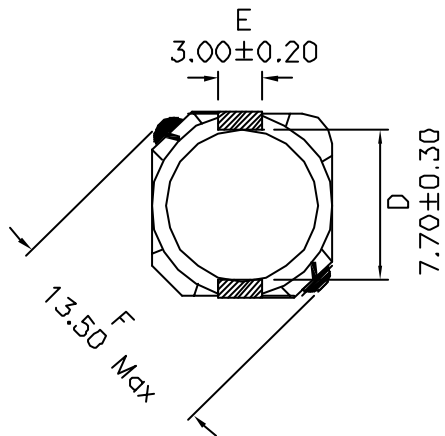
### 1. Mechanical Dimensions:



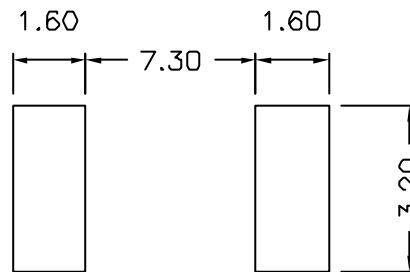
(TOP VIEW)



(SIDE VIEW)

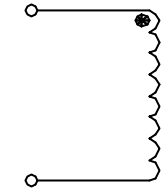


(BOTTOM VIEW)



(SUGGESTED MOUNTING PAD)

### 2. Schematic:



### 3. Electrical Specification:

OCL: 10.0uH ± 30% @ 100KHz 0.1V, 0Adc

Isat: 4.40Adc (Based on 30% drop in OCL)

DCR: 0.035 Ohms Max

**Notes:**

1. Solderability: Leads shall meet MIL-STD-202G, Method 208H for solderability.
2. Flammability: UL94V-0
3. ASTM oxygen index: > 28%
4. Insulation System: Class F 155°C. UL file E151556
5. Operating Temperature Range: All listed parameters are to be within tolerance from -40°C to +85°C
6. Storage Temperature Range: -55°C to +125°C
7. Aqueous wash compatible
8. SMD Lead Coplanarity: ±0.004" (0.102mm)
9. Electrical and mechanical specifications 100% tested
10. RoHS Compliant Component

DOC REV: A/1

<b>XFMRs Inc</b> www.XFMRs.com	Title: HIGH CURRENT SELF-LEADED SMT INDUCTORS		
	UNLESS OTHERWISE SPECIFIED TOLERANCES: .xx ±0.25 Dimensions in mm	P/N: XFTPRH104-100N	REV. A
SHEET 1 OF 1	APP.	YK Liao	Sep-06-07
		BW	Sep-06-07