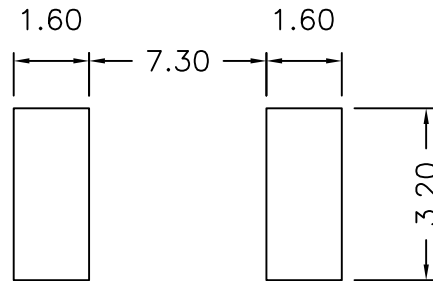
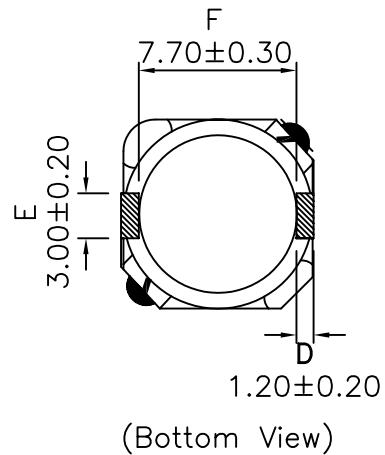
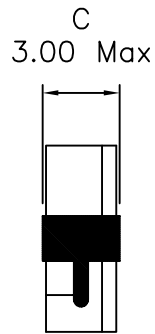
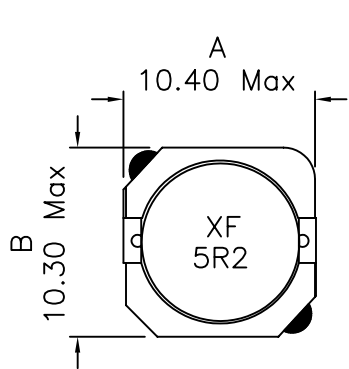
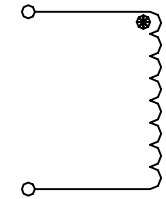


## 1. Mechanical Dimensions:



Suggested Pad Layout

## 2. Schematic:



## 3. Electrical Specification:

OCL: 5.2uH±30% @100KHz 0.1V

Q: 20 Min @100KHz 0.1V

Irms: 3.7A (Based on 40°C Temp Rise)

Isat: 4.75Adc (Based on 35% Drop in OCL)

DCR: 27.5 mOhms Max

### Notes:

1. Solderability: Leads shall meet MIL-STD-202G, Method 208H for solderability.
2. Flammability: UL94V-0
3. ASTM oxygen index: > 28%
4. Insulation System: Class F 155°C. UL file E151556
5. Operating Temperature Range: All listed parameters are to be within tolerance from -40°C to +85°C
6. Storage Temperature Range: -55°C to +125°C
7. Aqueous wash compatible
8. SMD Lead Coplanarity: ±0.004"(0.102mm)
9. Electrical and mechanical specifications 100% tested
10. RoHS Compliant Component

XFMRs Inc. www.XFMRS.com	Title: HIGH CURRENT SELF-LEADED SMT INDUCTORS		
	UNLESS OTHERWISE SPECIFIED TOLERANCES: .xx ±0.25 Dimensions in MM	P/N: XFTPRH103-5R2N	REV. A
	DWN.	Xianyi	Feb-27-09
	CHK.	YK Liao	Feb-27-09
SHEET 1 OF 1	APP.	BW	Feb-27-09

DOC REV: A/2

**PROPRIETARY**

Document is the property of XFMRs Group & is not allowed to be duplicated without authorization.