

## DA5-050 Series

5 Watts

### Data Sheet

**Total Power: 5 Watts**  
**Input Voltage: 100 - 240 Vac**  
**# of Outputs: Single**

### SPECIAL FEATURES

- Small size 44 x 39.5 x 25 mm excluding AC pins
- High average loading efficiency 76%
- USB connector output
- -10 °C to +40 °C operating temperature range
- Protections: overvoltage, overtemperature, overcurrent, short circuit
- Reinforced isolation 3000 Vac rms
- European CoC v5 T2 & US DoE VI Compliant
- EN60950-1 Safety Standard
- One year warranty

### SAFETY

- cUL/UL 60950-1
- IEC/EN 60950-1
- CCC
- CE
- GS
- Designed to meet:
  - NOM-NYCE
  - SPRING
  - IRAM
  - C-Tick
  - NSW



### Electrical Specifications

Input	
Input voltage range	90 - 264 Vac (100 - 240 Vac nominal)
Frequency	47 - 63 Hz (50 / 60 Hz nominal)
Input current (max)	200 mA
Leakage current	80 $\mu$ A
No load power	<75 mW
Output	
Maximum power	5 W
Output voltage	5 V
Hold-up time	10 ms typical 115 Vac at full load

### Environmental Specifications

Operating temperature	-10 °C to +40 °C
Storage temperature	-40 °C to +85 °C
Electromagnetic susceptibility	EM55022, FCC Part 15
Humidity	Non-condensing 5% to 95% RH
MTBF	>100,000 hours at full load and 25 °C ambient

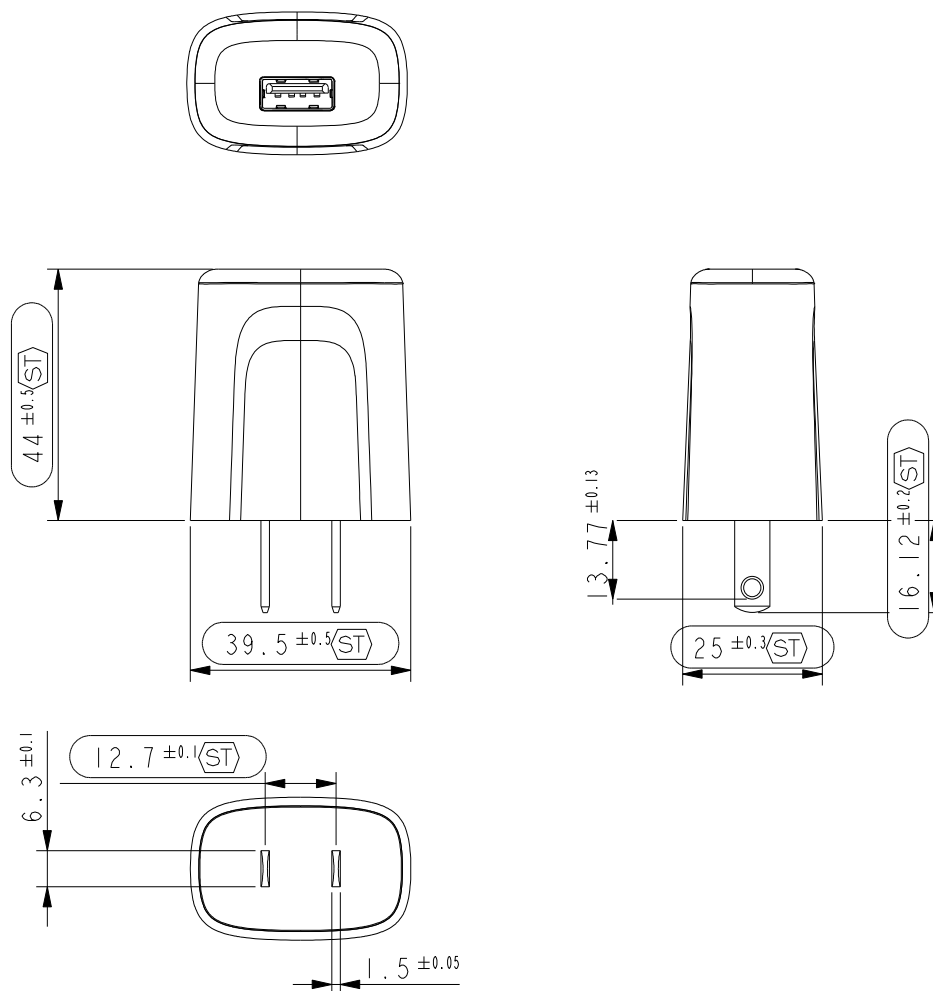
### Ordering Information

Model Number	Input Voltage Range	Output Voltage	Minimum Load	Maximum Load
DA5-050US-B/-W	90 - 264 Vac	5 V	0 A	1 A
DA5-050CH-B	90 - 264 Vac	5 V	0 A	1 A
DA5-050EU-B	90 - 264 Vac	5 V	0 A	1 A
DA5-050UK-B	90 - 264 Vac	5 V	0 A	1 A

-B = Black

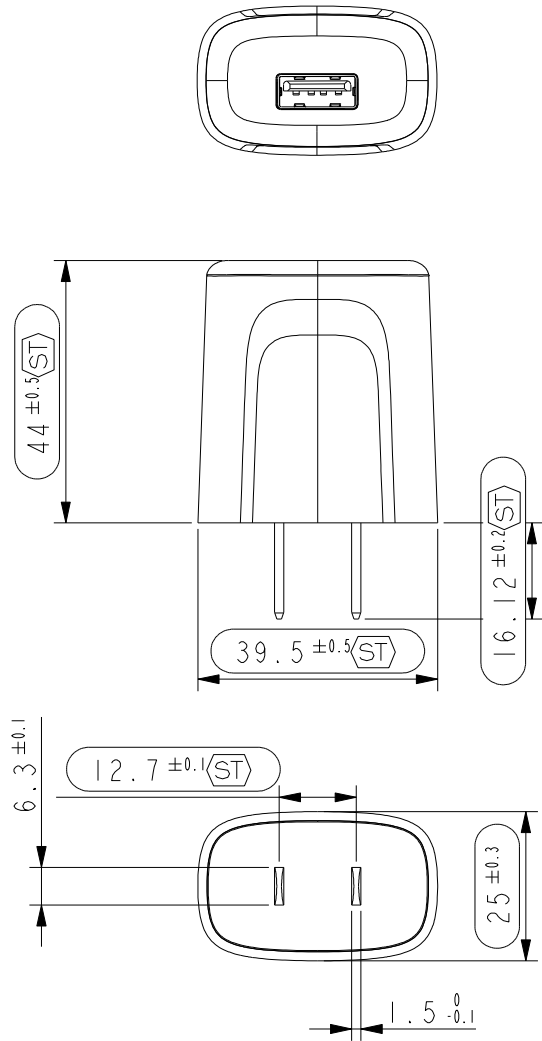
-W = White

### Mechanical Drawings - DA5-050 US



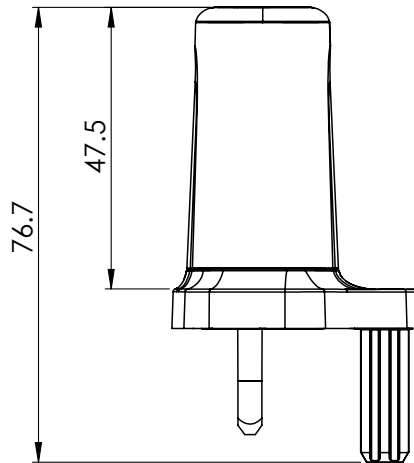
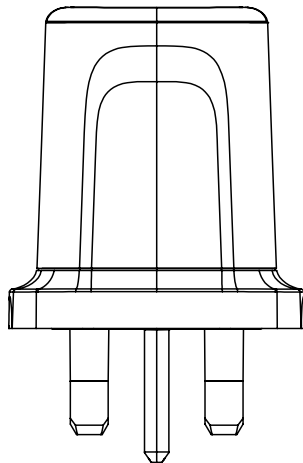
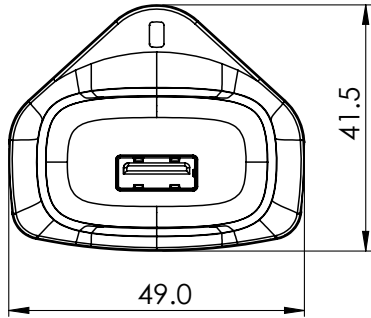
Note: All dimensions in mm.

Mechanical Drawings - DA5-050CH



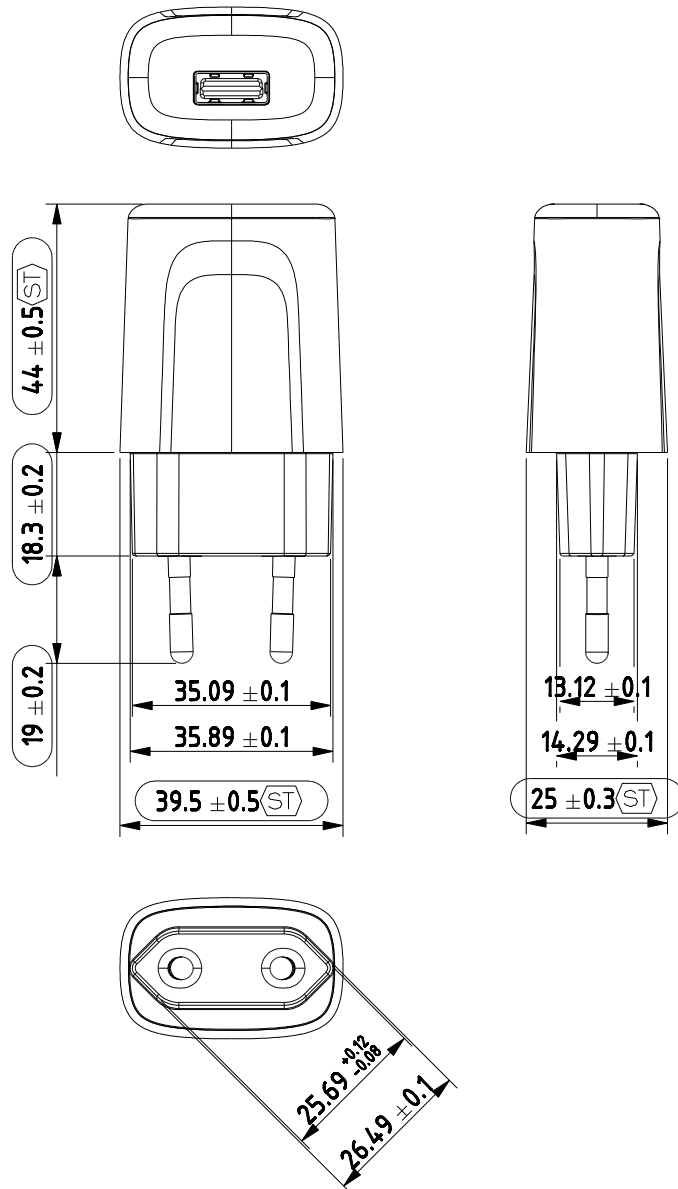
Note: All dimensions in mm.

Mechanical Drawings - DA5-050UK



Note: All dimensions in mm.

Mechanical Drawings - DA5-050EU



Note: All dimensions in mm.

WORLDWIDE OFFICES

**Americas**

2900 S.Diablo Way  
 Tempe, AZ 85282  
 USA  
 +1 888 412 7832

**Europe (UK)**

Waterfront Business Park  
 Merry Hill, Dudley  
 West Midlands, DY5 1LX  
 United Kingdom  
 +44 (0) 1384 842 211

**Asia (HK)**

14/F, Lu Plaza  
 2 Wing Yip Street  
 Kwun Tong, Kowloon  
 Hong Kong  
 +852 2176 3333



[www.artesyn.com](http://www.artesyn.com)

Artesyn Embedded Technologies, Artesyn and the Artesyn Embedded Technologies logo are trademarks and service marks of Artesyn Embedded Technologies, Inc. All other names and logos referred to are trade names, trademarks, or registered trademarks of their respective owners. © 2016 Artesyn Embedded Technologies, Inc. All rights reserved. For full legal terms and conditions, please visit [www.artesyn.com/legal](http://www.artesyn.com/legal)

For more information: [www.artesyn.com/power](http://www.artesyn.com/power)  
 For support: [productsupport.ep@artesyn.com](mailto:productsupport.ep@artesyn.com)