

15

1501 04

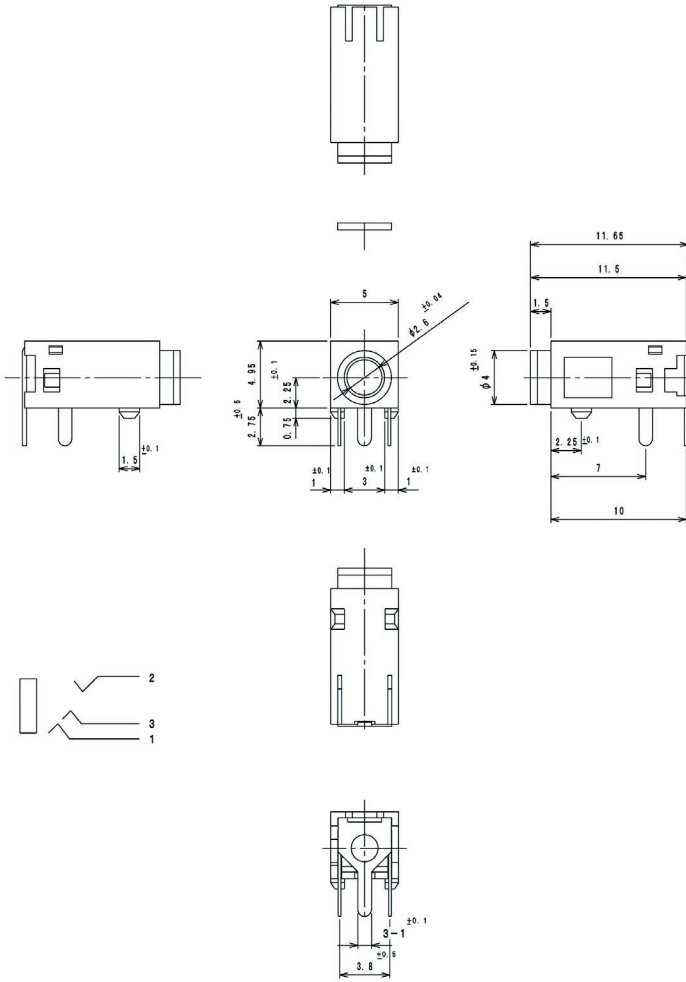
Jack connectors



Jack chassis socket acc. to JIS C 6560 JC25J3A, 2.5 mm, 3 poles/stereo, angular version, with metal collar, for printed circuit boards

State: Active

15 1501 04



Environmental conditions

Temperature range -20 °C/+70 °C

Materials

Insulating body PBT GF, V-0 according to UL94
 Contact spring Cu alloy, tin-plated


Mechanical data

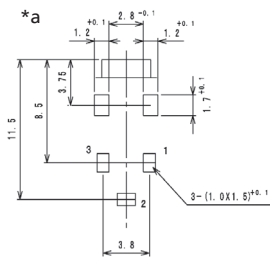
Mating cycles ≥ 5000
 Insertion force 5–20 N
 Withdrawal force 4–20 N

Electrical data (at T_{amb} 20 °C)

Contact resistance ≤ 50 mΩ
 Rated current 0,5 A
 Rated voltage 34 V AC/DC
 Rated impulse voltage 500 V/60 s
 Insulation resistance ≥ 100 MΩ

Associated products

Counterparts
 KLS 13



15

1501 04

*a printed circuit board layout, solder side view

15

1501 04

Designation	Pole Number	PU (Pieces)	MDQ (Pieces)
1501 04	3	500	500

Packaging:

in bulk, in a cardboard box or a plastic bag