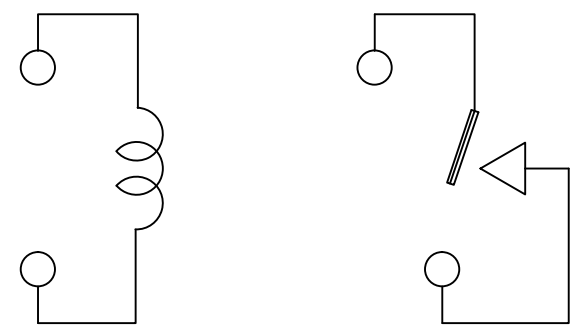
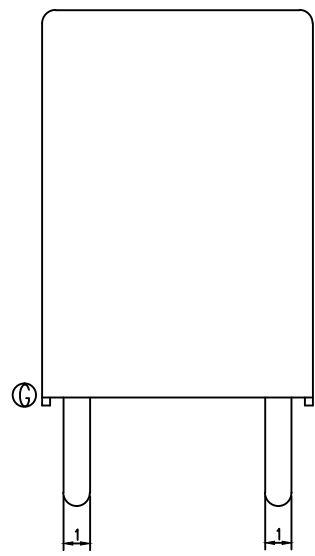
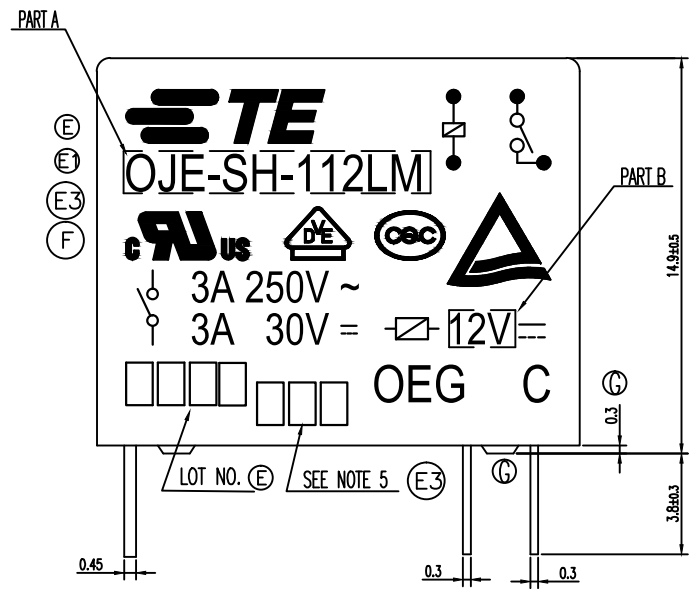
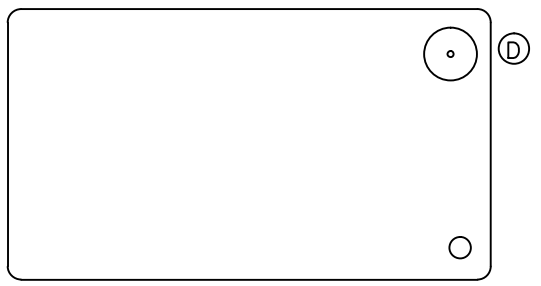


THIS DRAWING IS UNPUBLISHED. RELEASED FOR PUBLICATION
 © COPYRIGHT - By - TE CONNECTIVITY ALL RIGHTS RESERVED.

| LOC | DIST | REVISIONS | | | |
|-----|------|---|-----------|------|------|
| P | LTR | DESCRIPTION | DATE | DWN | APVD |
| HB | - | | | | |
| G | | REMOVED THE RIB ON THE BASE TO CASE ECO-15-011310 | 08DEC2015 | YS.H | CHL |



CONNECTION FIGURE

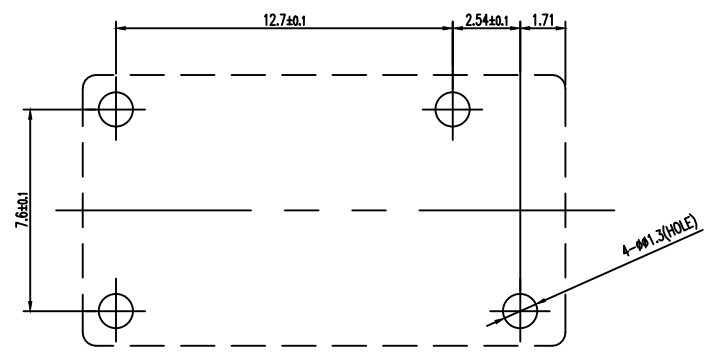
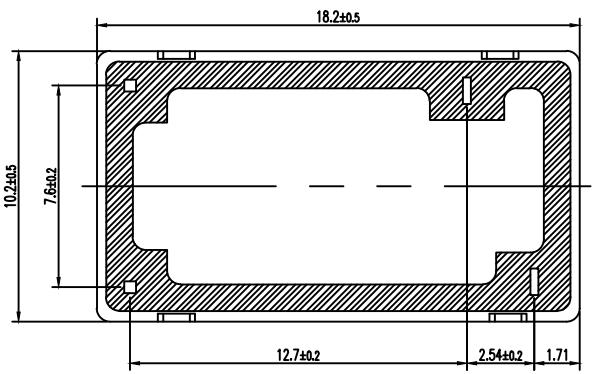


FIGURE FOR PRINTED CIRCUIT BOARD PROCESSING (BOTTOM VIEW)



| | | | | | |
|--|--|------------------|------------------------------|-----------------|----------------------|
| THIS DRAWING IS A CONTROLLED DOCUMENT. | | DWN H.SASAKI | TE TE Connectivity | | |
| DIMENSIONS: mm | | CHK Y.OIKAWA | | | |
| TOLERANCES UNLESS OTHERWISE SPECIFIED: | | APVD A.NAGAI | NAME | | |
| 0 PLC ± - | | PRODUCT SPEC | OJE-SS-LM CUSTOMER DRAWING | | |
| 1 PLC ± - | | APPLICATION SPEC | - | | |
| 2 PLC ± - | | WEIGHT | SIZE A3 | CAGE CODE 00779 | DRAWING NO C=1461035 |
| 3 PLC ± - | | CUSTOMER DRAWING | RESTRICTED TO | | |
| 4 PLC ± - | | | SCALE 5:1 SHEET 1 OF 2 REV G | | |
| ANGLES ± - | | | | | |
| MATERIAL | | | | | |
| FINISH | | | | | |

THIS DRAWING IS UNPUBLISHED. RELEASED FOR PUBLICATION - , - .
 © COPYRIGHT - By - ALL RIGHTS RESERVED.

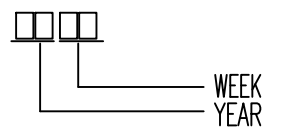
| | | | | | | | |
|-----|------|-----------|-----|-------------|------|-----|------|
| LOC | DIST | REVISIONS | | | | | |
| HB | - | P | LTR | DESCRIPTION | DATE | DWN | APVD |
| | | - | | SEE SHEET 1 | - | - | - |

| | | | | | | |
|---|-------------|--------------|--------------|--------|--------------|------|
| ① | 1461035-2 | OJE-SS-118LM | 107-79010 | 18V | OJE-SS-118LM | g |
| ② | 5-1419144-0 | OJE-SS-103LM | 107-79010 | 3V | OJE-SS-103LM | f |
| | 6-1419128-7 | OJE-SS-124LM | 107-79010 | 24V | OJE-SS-124LM | e |
| | 4-1419128-6 | OJE-SS-112LM | 107-79010 | 12V | OJE-SS-112LM | d |
| | 3-1419128-9 | OJE-SS-109LM | 107-79010 | 9V | OJE-SS-109LM | c |
| | 1461035-1 | OJE-SS-106LM | 107-79010 | 6V | OJE-SS-106LM | b |
| | 3-1419128-0 | OJE-SS-105LM | 107-79010 | 5V | OJE-SS-105LM | a |
| | PART NO | TYPE NAME | PACKAGE SPEC | PART B | PART A | TYPE |

RELAY TYPE

⑤① NOTES:

1. LOT NO. SYSTEM AS FOLLOWING:

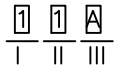


⑤③ 2. TERMINAL DIMENSION IS BEFORE SOLDER DIP;

⑤③ 3. FOR THE TIN-PLATING OF THE PINS:
 +0.1mm FOR WIDTH, THICKNESS AND DIAMETER.
 +0.5mm FOR LENGTH.

⑤③ 4. USED WELDED CONTACT & LASER MARKING.

⑤③ 6. ADD LOT NO. SYSTEM AS FOLLOWING;



I, DIGITS FOR DAY OF THE WEEK
 1...MONDAY IN THIS WEEK;
 2...TUESDAY IN THIS WEEK;

 7...SUNDAY IN THIS WEEK
 II, DIGITS FOR SHIFT OF THE DAY
 1...DAY SHIFT IN THIS DAY;
 2...NIGHT SHIFT IN THIS DAY;
 III, ONE CHARACTER DISTINGUISH THE LINE IDENTITY, SUCH AS: A,B,....Z

| Diagram dimension | Tolerance |
|-------------------|-----------|
| 0.99mm max. | ±0.1mm |
| 1 - 2.99mm | ±0.2mm |
| 3mm min. | ±0.3mm |

| | | | | |
|------------------|------------|-------------|----------------------|------|
| | | EPOXY RESIN | SEAL (BASE & BOBBIN) | 15 |
| | | JUEW | MAGNETIC WIRE | 14 |
| 94V-0 | | P.B.T | CASE | 13 |
| 94V-0 | | P.B.T | BASE | 12 |
| 94V-0 | | P.B.T | BOBBIN | 11 |
| | SOLDER DIP | C.P WIRE | COIL TERMINAL | 10 |
| 94V-0 | | P.P.S | CARD | 9 |
| | | Ag | MOVABLE CONTACT | 8 |
| | | Ag | NO.CONTACT | 7 |
| | | STEEL | HINGE SPRING | 6 |
| | SOLDER DIP | Cu ALLOY | NO.TERMINAL | 5 |
| | SOLDER DIP | Cu ALLOY | MOVABLE SPRING | 4 |
| | NIP | STEEL | CORE | 3 |
| | NIP | STEEL | ARMATURE | 2 |
| | NIP | STEEL | YOKE | 1 |
| INCOMBUSTIBILITY | TREATMENT | MATERIAL | DESCRIPTION | ITEM |

| | | | | |
|--|--|------------------|----------|--------------|
| THIS DRAWING IS A CONTROLLED DOCUMENT. | | DWN | H.SASAKI | - |
| DIMENSIONS: mm | | CHK | Y.OIKAWA | - |
| TOLERANCES UNLESS OTHERWISE SPECIFIED: | | APVD | A.NAGAI | - |
| 0 PLC ± - | | PRODUCT SPEC | - | - |
| 1 PLC ± - | | APPLICATION SPEC | - | - |
| 2 PLC ± - | | WEIGHT | - | - |
| 3 PLC ± - | | CUSTOMER DRAWING | - | - |
| 4 PLC ± - | | SCALE | 5:1 | SHEET 2 OF 2 |
| ANGLES ± - | | RESTRICTED TO | - | REV G |
| FINISH | | | | |

TE TE Connectivity

OJE-SS-LM CUSTOMER DRAWING

SIZE: A3 CAGE CODE: 00779 DRAWING NO: C=1461035

SCALE: 5:1 SHEET: 2 OF 2 REV: G