

4

3

2

1

THIS DRAWING IS UNPUBLISHED.

RELEASED FOR PUBLICATION

ALL RIGHTS RESERVED.

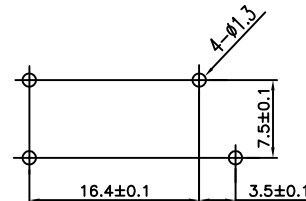
© COPYRIGHT - By TE Connectivity

LOC HB DIST -

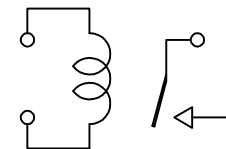
REVISIONS

P	LTR	DESCRIPTION	DATE	DWN	APVD
C1		UPDATE PAC SPEC ECO-10-0111636	07-JUL-09	HYS	YBH
E		CHANGE TE LOGO&ADD LINE IDENTIFICATION&TERMINALS CLARIFICATION ECO-12-005305	28-MAR-12	HYS	YBH

DRILLING DIAGRAM(BOTTOM VIEW)



CONNECTION DIAGRAM



PART A

PART B

TE

SDT-SS-112DM 12V

TV-5 10A 250V~

10A/80A 250V~ 3A/100A 250V~

10(3)A 250V~ 10A 24V

OEG C

C:MADE IN CHINA

ⓔ ⓑ

ⓑ LOT NO.

Ⓐ

"A"

ONE CHARACTER FOR LINE IDENTIFICATION ⓔ

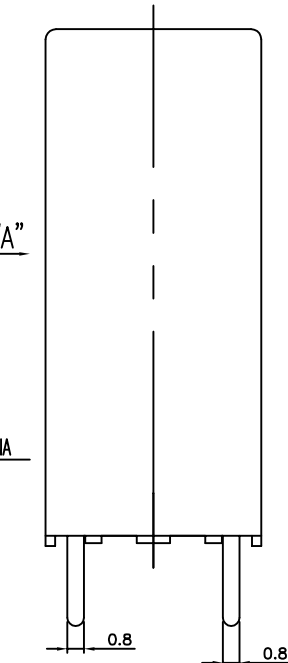
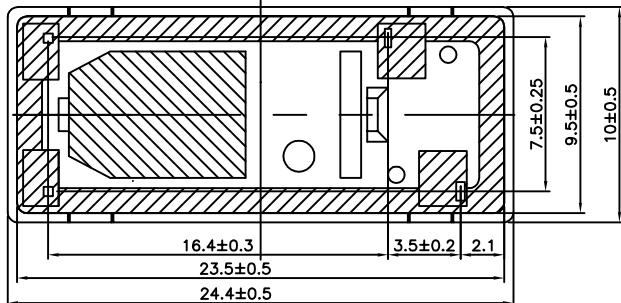


Diagram dimension	Tolerance
max. 1mm	±0.1mm
1 - 3mm	±0.2mm
min. 3mm	±0.3mm

THIS DRAWING IS A CONTROLLED DOCUMENT.

DWN H.SASAKI	TE Connectivity
CHK K.OKADO	
APVD A.NAGAI	NAME
PRODUCT SPEC	SDT-SH-DM.000(STANDARD) CUSTOMER DRAWING
APPLICATION SPEC	SIZE CAGE CODE DRAWING NO RESTRICTED TO
WEIGHT	A3 00779 C=1419126-5
CUSTOMER DRAWING	SCALE 4:1 SHEET 1 OF 2 REV E

DIMENSIONS:	TOLERANCES UNLESS OTHERWISE SPECIFIED:
mm	0 PLC ± -
	1 PLC ± -
	2 PLC ± -
	3 PLC ± -
	4 PLC ± -
	ANGLES ± -

THIS DRAWING IS UNPUBLISHED.

RELEASED FOR PUBLICATION

-. - .

© COPYRIGHT - BY TE Connectivity

ALL RIGHTS RESERVED.

LOC

DIST

REVISIONS

HB

-

P LTR

DESCRIPTION

DATE

DWN

APVD

-

SEE SHEET 1

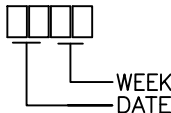
-

-

-

NOTES:

- 1. TERMINAL DIMENSIONS BEFORE SOLDER DIP
- 2. LOT NO. SYSTEM AS FOLLOWING:



- ③ 3. FOR THE TIN-PLATING OF THE PINS: +0.1mm FOR WIDTH, THICKNESS AND DIAMETER  
+0.5mm FOR LENGTH

1-1419126-0	SDT-SH-124DM	107-84016 (C1)	24V	SDT-SH-124DM	d
2-1419146-6	SDT-SH-118DM	107-84016 (C1)	18V	SDT-SH-118DM	c
1419126-5	SDT-SH-112DM	107-84016 (C1)	12V	SDT-SH-112DM	b
1461023-1	SDT-SH-105DM	107-84016 (C1)	5V	SDT-SH-105DM	a
TE PART NO	TE TYPE NAME	PACKING SPEC	PART B	PART A	TYPE

RELAY TYPE

UV RESIN	RESIN (VENT)	13
EPOXY RESIN	RESIN (CASE)	12
UEW	MAGNETIC WIRE	11
PBT	CASE	10
Cu ALLOY	HINGE SPRING	9
Cu ALLOY	COIL TERMINAL	8
Cu ALLOY	M TERMINAL	7
Cu ALLOY	MOVABLE SPRING	6
PBT	BOBBIN	5
PPS	CARD	4
STEEL	CORE	3
STEEL	ARMATURE	2
STEEL	YOKE	1
MATERIAL	DESCRIPTION	ITEM

THIS DRAWING IS A CONTROLLED DOCUMENT.		DWN H.SASAKI																
		CHK K.OKADO																
DIMENSIONS: mm		APVD A.NAGAI	NAME															
TOLERANCES UNLESS OTHERWISE SPECIFIED:		PRODUCT SPEC	SDT-SH-DM.000(STANDARD) CUSTOMER DRAWING															
<table border="0"> <tr><td>0 PLC</td><td>± -</td></tr> <tr><td>1 PLC</td><td>± -</td></tr> <tr><td>2 PLC</td><td>± -</td></tr> <tr><td>3 PLC</td><td>± -</td></tr> <tr><td>4 PLC</td><td>± -</td></tr> <tr><td>ANGLES</td><td>± -</td></tr> </table>		0 PLC	± -	1 PLC	± -	2 PLC	± -	3 PLC	± -	4 PLC	± -	ANGLES	± -	APPLICATION SPEC	SIZE	CAGE CODE	DRAWING NO	RESTRICTED TO
0 PLC	± -																	
1 PLC	± -																	
2 PLC	± -																	
3 PLC	± -																	
4 PLC	± -																	
ANGLES	± -																	
MATERIAL		WEIGHT	A3	00779	C=1419126-5	-												
		CUSTOMER DRAWING	SCALE	SHEET	REV													
			4:1	2 OF 2	E													