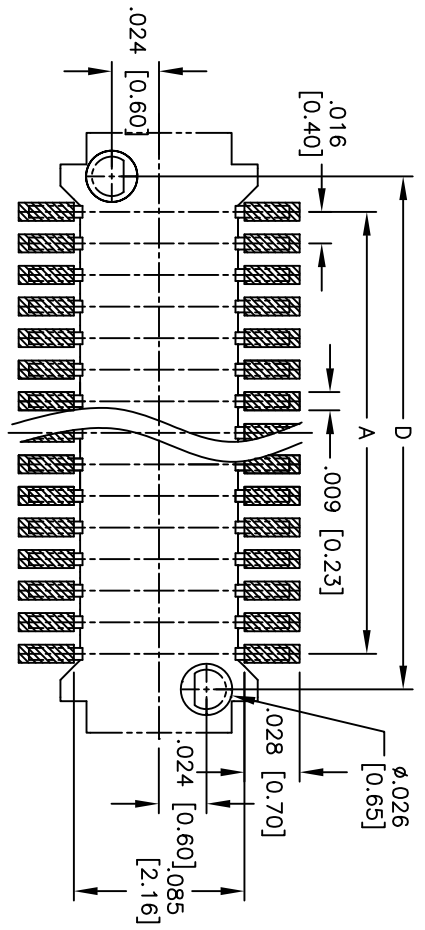
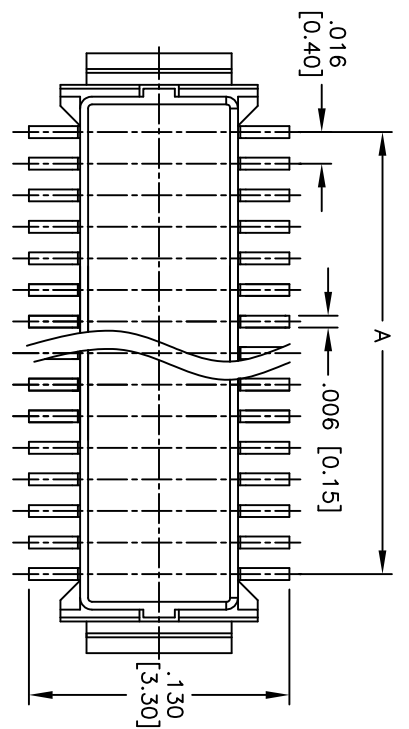
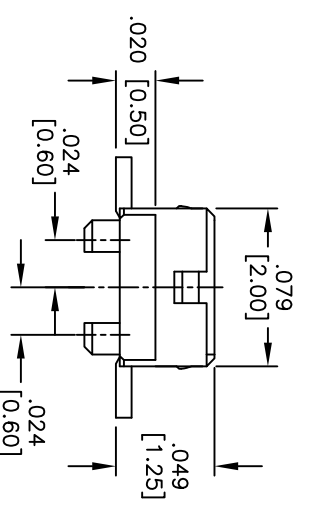
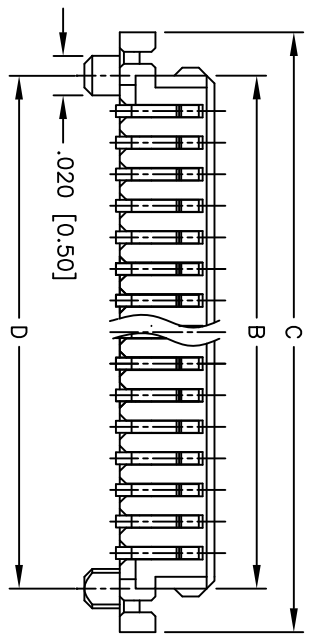


Rev	AWO #	Description	Date	Appr
-		RELEASED	12/02/10	

APPROVED: _____
 DATE: _____ TITLE: _____



RECOMMENDED PCB LAYOUT



PACKAGED ON TAPE & REEL

SPECIFICATIONS:
 Material: Insulator: Hi-temp thermoplastic, rated UL 94V-0
 Insulator color: Natural
 Contacts: Copper Alloy
 Hold down: Copper Alloy
 Plating: Gold flash over Nickel underplate overall.
 Electrical: Operating voltage: 30 VAC max
 Current rating: 0.3 Amps max
 Contact resistance: 60 mohms max. initial
 Insulation resistance: 50 Mohms min
 Environmental: Lead free, RoHS compliant
 Recommended soldering temp: 260°C for 5 seconds

Positions: 20, 30, 40
 A = .016 [0.40] x (No. of Contacts per row - 1)
 B = .016 [0.40] x (No. of Contacts per row - 1) + .035 [0.90]
 C = .016 [0.40] x (No. of Contacts per row - 1) + .079 [2.00]
 D = .016 [0.40] x (No. of Contacts per row - 1) + .035 [0.90]

ADAM TECH
 909 Rahway Avenue, Union, NJ 07083
 Phone: 908-687-5000 Fax: 908-687-5710

A
 Gold flash over Nickel underplate overall.
 Electrical: Operating voltage: 30 VAC max
 Current rating: 0.3 Amps max
 Contact resistance: 60 mohms max. initial
 Insulation resistance: 50 Mohms min
 Environmental: Lead free, RoHS compliant
 Recommended soldering temp: 260°C for 5 seconds



UNLESS OTHERWISE SPECIFIED ALL DIMENSIONS ARE INCHES [MM]		TOLERANCES: EXCEPT AS NOTED	
.X	± .10	ØXX	± .10
.XX	± .020	ØXXX	± .015
.XXX	± .015	ØXXXX	± .010
APPROVALS		DATE	
DRAWN	DRY	12/02/10	
CHECKED			
APPROVED			
TITLE		SIZE	
.016 [0.40] BOARD TO BOARD PLUG, SMT TYPE		X	
1.25 MM HEIGHT, STACKING HEIGHT=1.5MM		PART NO.	
		BB4-PE-XX-G-1.25-T/R	
REF: S00728T		SCALE: NTS	
		SHEET 1 OF 1	