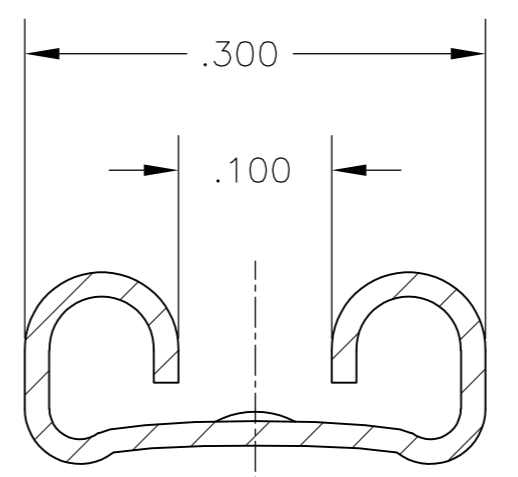
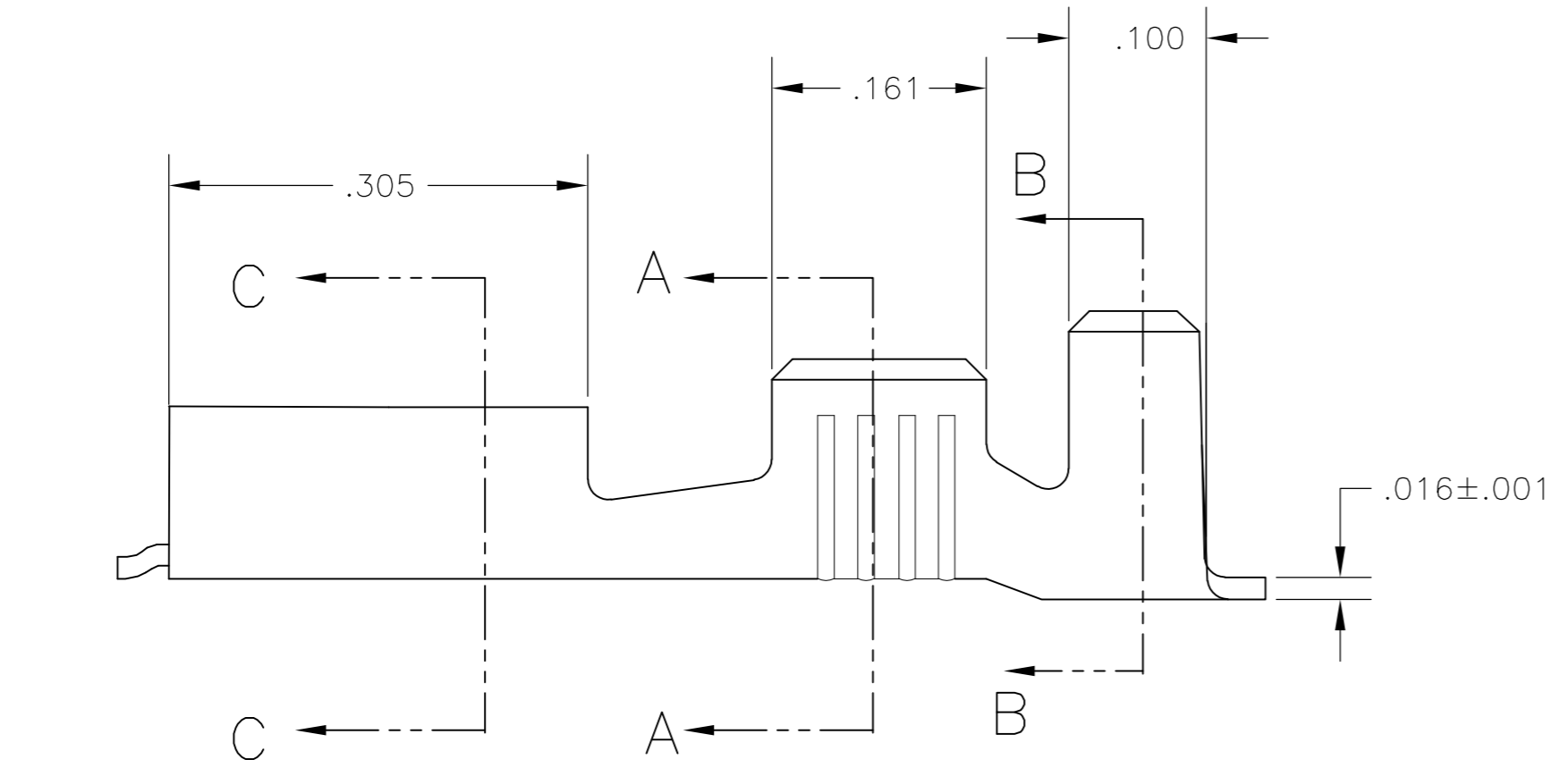
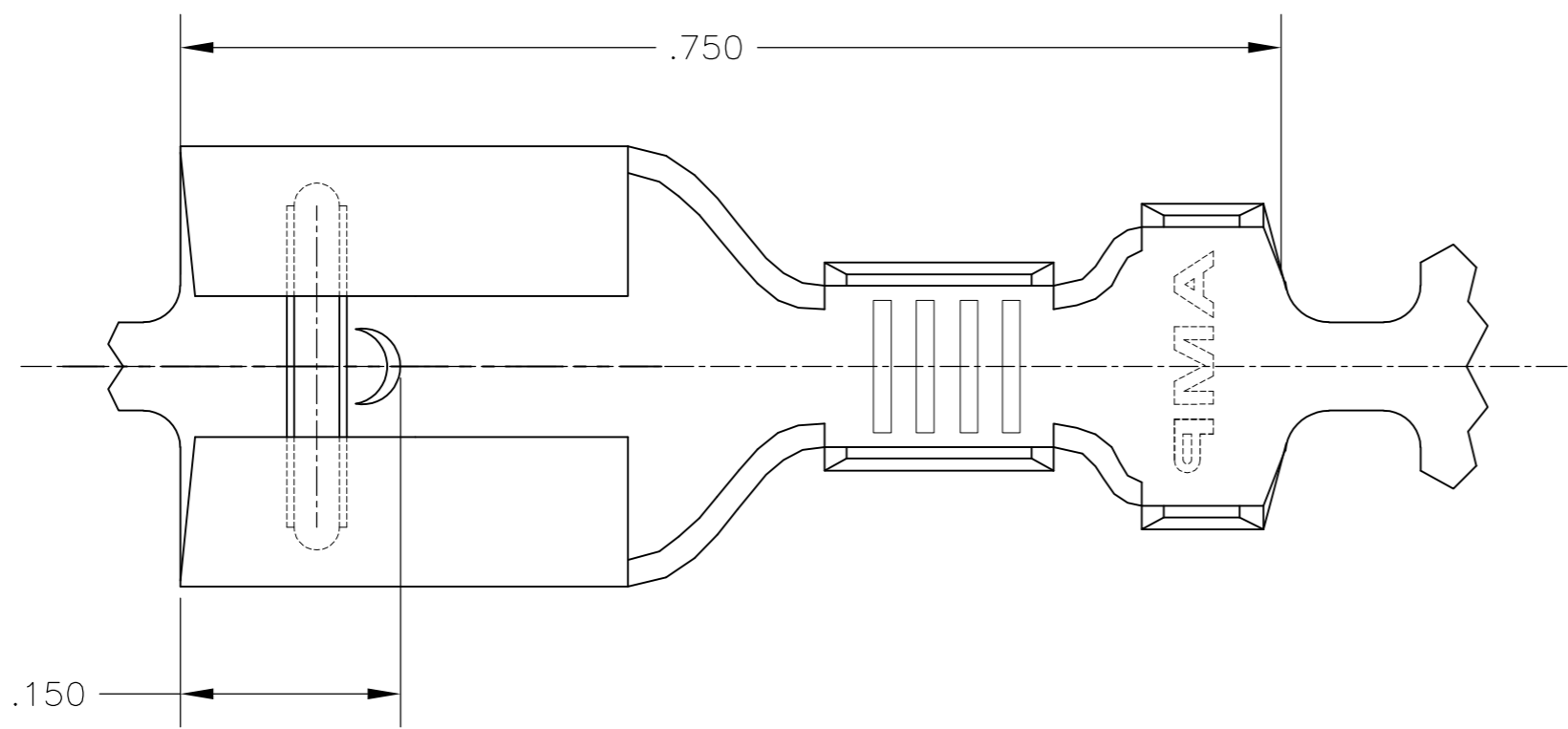
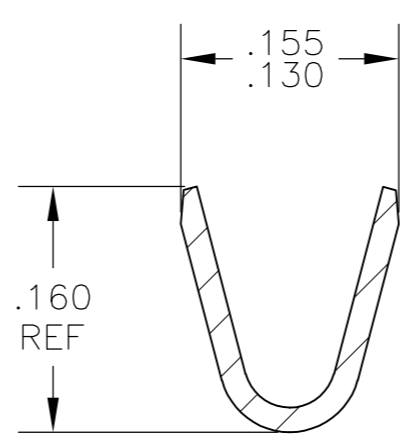


THIS DRAWING IS UNPUBLISHED. RELEASED FOR PUBLICATION  
 © COPYRIGHT - M ALL RIGHTS RESERVED.

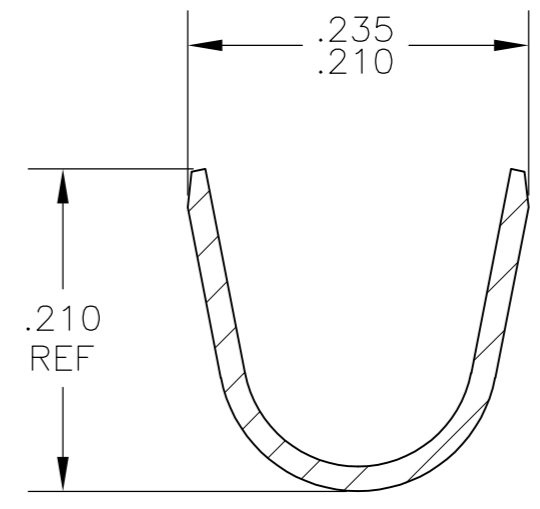
LOC		DIST		REVISIONS			
P	LTR	DESCRIPTION		DATE	DWN	APVD	
AF	50	M		REVISED PER ECR-12-013445	18OCT12	KH PD	



SECTION C-C



SECTION A-A



SECTION B-B

- 1 CONTINUOUS STRIP ON REELS
- 2 ACCEPTS #18-#14 AWG WIRE SIZE
- 3 INSULATION RANGE IS .120-.170 DIA
- 4 MATING TAB THK IS .032±.001.

TIN	42400-2
-	42400-1
FINISH	PART NO

THIS DRAWING IS A CONTROLLED DOCUMENT.		DWN	JR RUTH	21JUN02		TE Connectivity																				
DIMENSIONS: INCHES		CHK	P DESANTIS	21JUN02		NAME																				
TOLERANCES UNLESS OTHERWISE SPECIFIED:		APVD	P DESANTIS	21JUN02		RECEPTACLE, FASTON, .250 SERIES																				
<table border="1"> <tr><td>0 PLC</td><td>±</td><td>-</td></tr> <tr><td>1 PLC</td><td>±</td><td>-</td></tr> <tr><td>2 PLC</td><td>±</td><td>-</td></tr> <tr><td>3 PLC</td><td>±</td><td>.010</td></tr> <tr><td>4 PLC</td><td>±</td><td>-</td></tr> <tr><td>ANGLES</td><td>±</td><td>-</td></tr> </table>		0 PLC	±	-		1 PLC	±	-	2 PLC	±	-	3 PLC	±	.010	4 PLC	±	-	ANGLES	±	-	PRODUCT SPEC	-		SIZE	CAGE CODE	DRAWING NO
0 PLC	±	-																								
1 PLC	±	-																								
2 PLC	±	-																								
3 PLC	±	.010																								
4 PLC	±	-																								
ANGLES	±	-																								
MATERIAL	BRASS	FINISH	SEE TABLE	WEIGHT	-	A2	00779	C=42400	-																	
CUSTOMER DRAWING						SCALE	8:1	SHEET	1 of 1	REV	M															